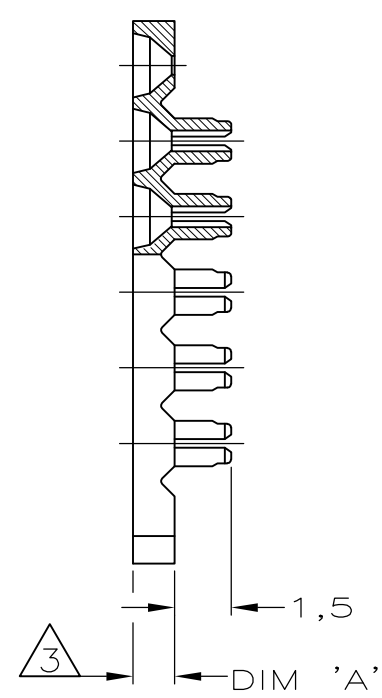
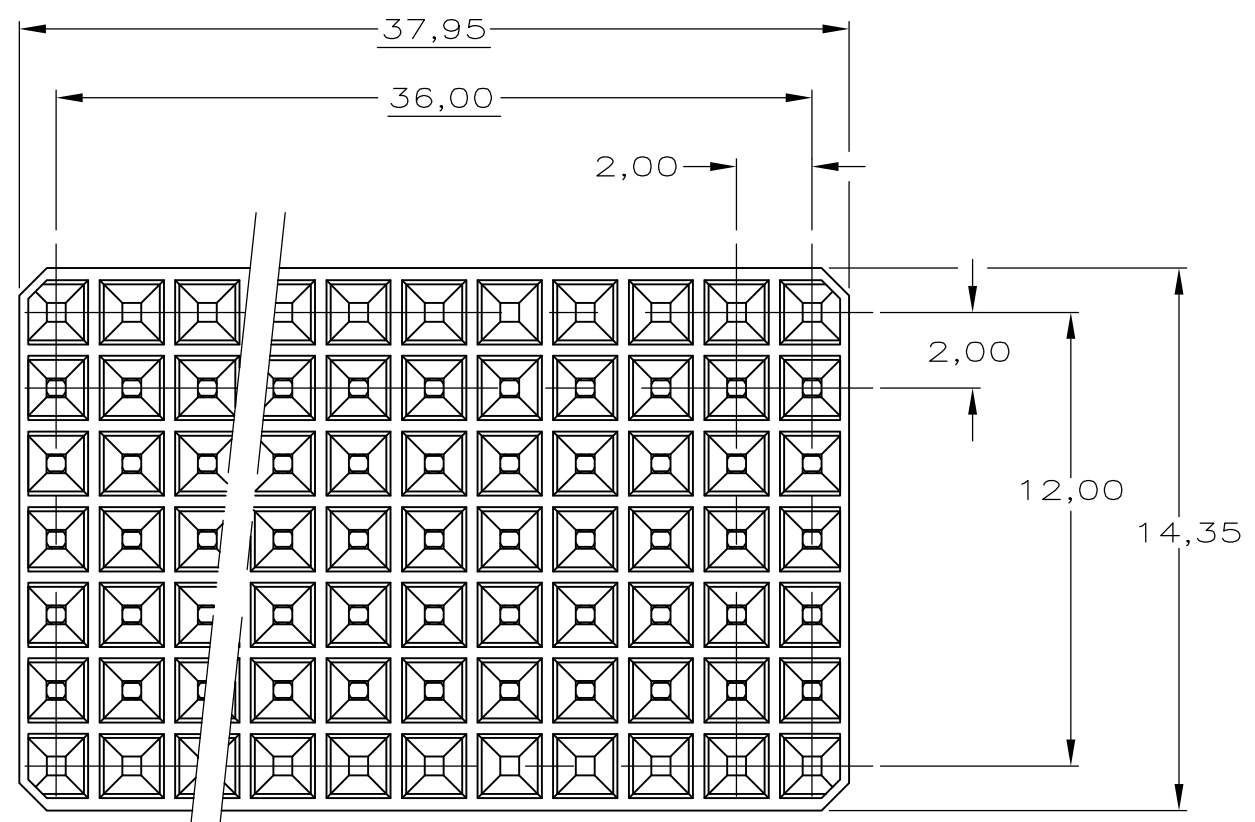


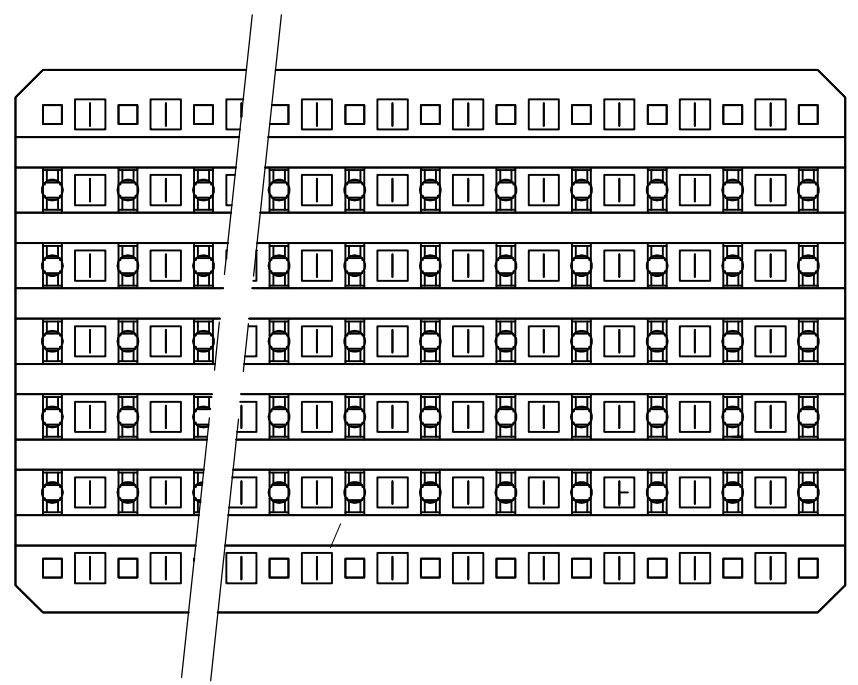
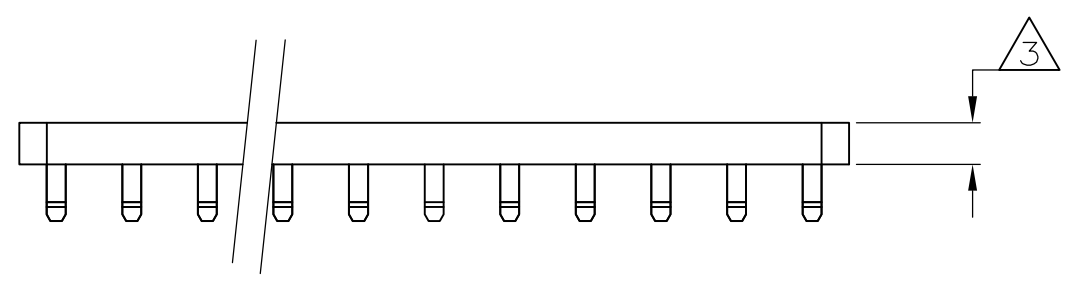
THIS DRAWING IS UNPUBLISHED. RELEASED FOR PUBLICATION
 © COPYRIGHT - TE Connectivity ALL RIGHTS RESERVED.

REVISIONS					
P	LTR	DESCRIPTION	DATE	DWN	APVD
	D	ECR-16-013251	12JUL2017	FL	SY



NOTES:

- MATERIAL: UNFILLED POLYESTER.(GREY)
- 0-352012-3 AS SHOWN.
- VARIABLE HEIGHT.
- TO DETERMINE THE RECOMMENDED SPACER-THICKNESS FOR A GIVEN PCB THICKNESS: SEE APPLICATION SPECIFICATION 114-19031.
- OBSOLETE PARTS: OBSOLETE CIS STREAMLINING PER D.RENAUD/D.SINISI



	PARTNUMBER	△4 DIM "A"
OBSOLETE	0-352012-1	0,7
OBSOLETE	0-352012-2	0,9
△5	0-352012-3	1,1
OBSOLETE	0-352012-4	1,3
	0-352012-5	1,5
OBSOLETE	0-352012-6	1,7
△5 OBSOLETE	0-352012-7	1,9

THIS DRAWING IS A CONTROLLED DOCUMENT.		DWN D. TRUREN 16-AUG-96	TE Connectivity		
DIMENSIONS: mm		CHK FvKONINGSBRUGGE 24 JUN 1997			
TOLERANCES UNLESS OTHERWISE SPECIFIED:		APVD FvKONINGSBRUGGE 24 JUN 1997	PRODUCT SPEC		
0 PLC ± 1 PLC ± 2 PLC ± ±0.2 3 PLC ± 4 PLC ± ANGLES ±- FINISH -		APPLICATION SPEC 108-19082	RESTRICTED TO		
MATERIAL		WEIGHT 0.000000	SIZE A3	CAGE CODE 00779	DRAWING NO C-352012
CUSTOMER DRAWING			SCALE -	SHEET 1 OF 1	REV D