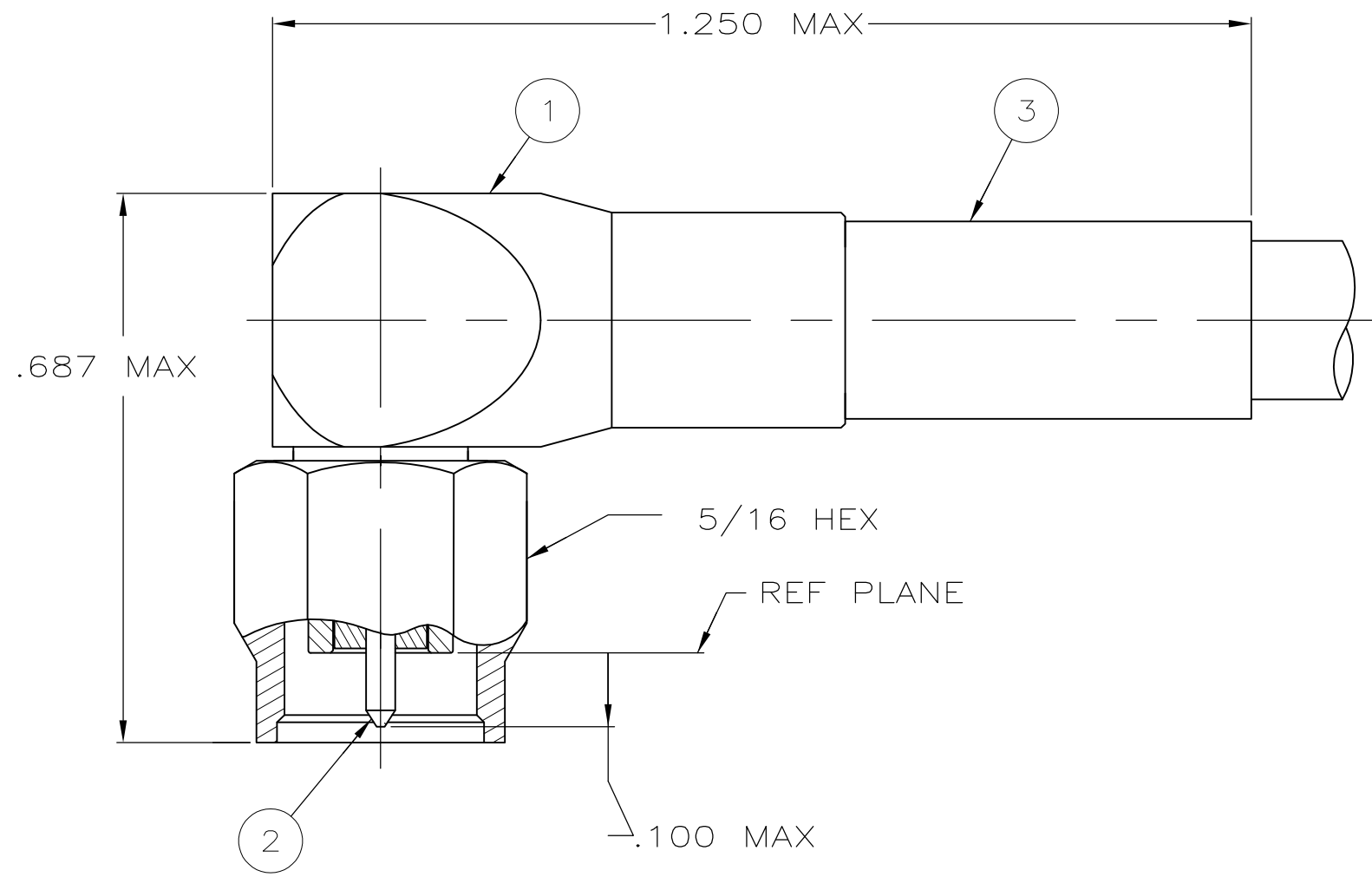
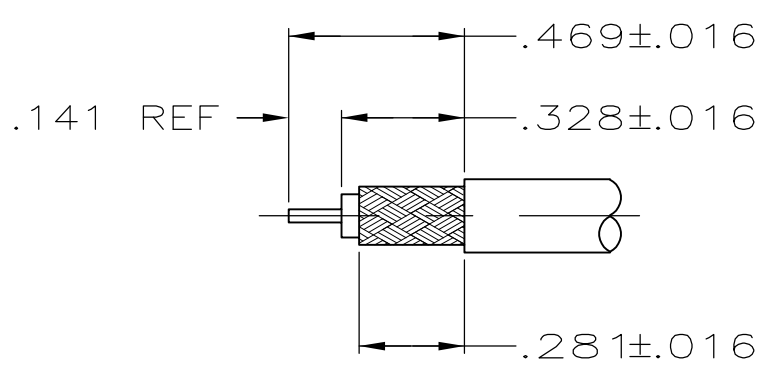


THIS DRAWING IS UNPUBLISHED. RELEASED FOR PUBLICATION  
 © COPYRIGHT BY TYCO ELECTRONICS CORPORATION. ALL INTERNATIONAL RIGHTS RESERVED.

LOC	DIST	REVISIONS					
AJ	16	P	LTR	DESCRIPTION	DATE	DWN	APVD
		G		REV PER ECO 09-000959	21JAN2009	PK	DW



1. FOR USE WITH: RG-142/U, 142A/U, & 142B/U CABLE
2. CRIMP WITH TOOL: 220061-1
3. SEE I.S. 2322
4. VSWR 1.15+.02 x F(GHz), DC -8GHZ.



RECOMMENDED STRIP LENGTH  
 SCALE: 2:1

1	225618-3	FERRULE	3
1	225546-1	CONTACT	2
1	225566-1	RTANG PLUG ASSY	1
QTY	PART NUMBER	DESCRIPTION	ITEM

THIS DRAWING IS A CONTROLLED DOCUMENT.		DWN	L.A.MOSCO	9-29-88	 Tyco Electronics Corporation Harrisburg, PA 17105-3608
DIMENSIONS: INCHES		CHK	S.J.MAGARO	9-30-88	
TOLERANCES UNLESS OTHERWISE SPECIFIED:		APVD	N.L.GUSTIN	11-21-88	
0 PLC ± - 1 PLC ± - 2 PLC ± - 3 PLC ± - 4 PLC ± - ANGLES ± -		PRODUCT SPEC	NAME		
MATERIAL		WEIGHT		RTANG PLUG, SERIES SMA	
-		-		SIZE	A3
FINISH		-		CAGE CODE	00779
-		-		DRAWING NO	C-225609-3
-		-		RESTRICTED TO	-
CUSTOMER DRAWING				SCALE	5:1
				SHEET	1 OF 1
				REV	G