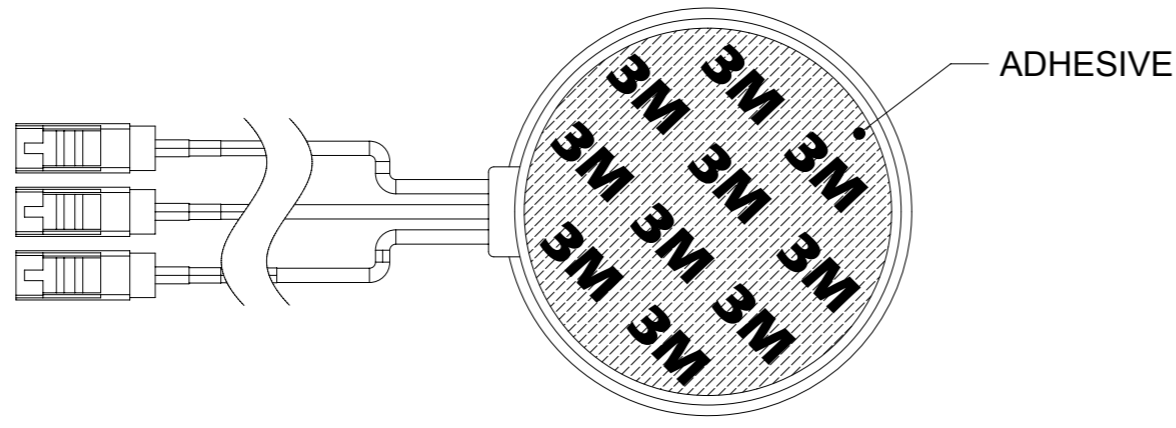
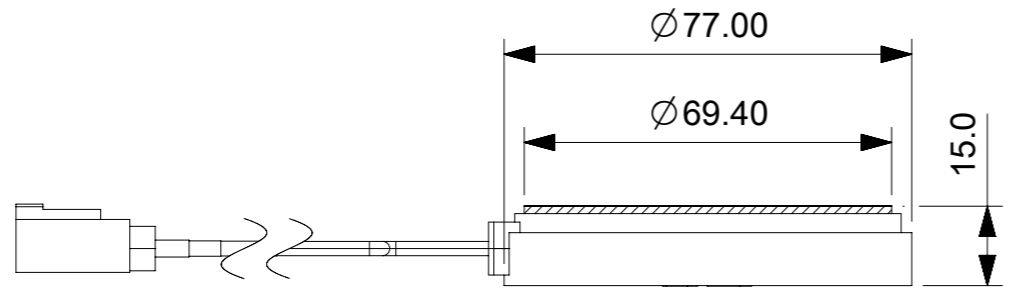


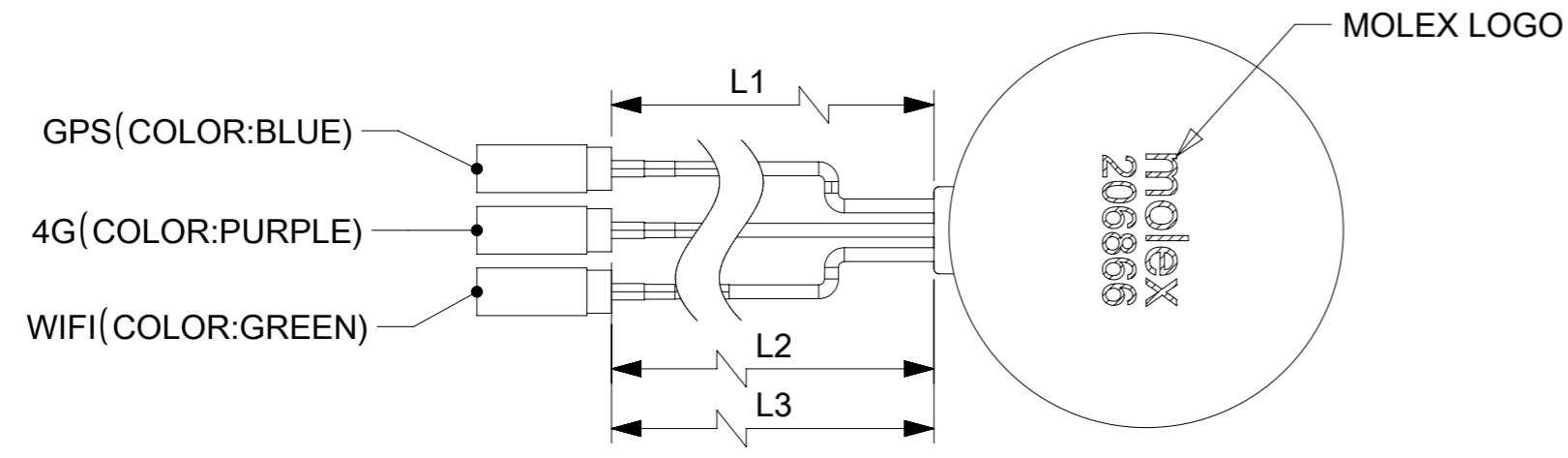
REV	DATE	DESCRIPTION
A	2018/06/07	NEW RELEASE
A1	2019/11/19	UPDATE NOTES



A SIDE



3D VIEW



B SIDE

- GPS (COLOR:BLUE)
- 4G (COLOR:PURPLE)
- WIFI (COLOR:GREEN)

ITE	MATERIAL	DESCRIPTION
1	ANTENNA	DIELECTRIC CERAMIC
2	PLASTIC CASE	ABS
3	PCB	FR4
4	SHIELDING CASE	TINPLATE
5	CABLE	RG174
6	GPS CONNECTOR	FAKRA-C
7	GSM CONNECTOR	FAKRA-D
8	WIFI CONNECTOR	FAKRA-E
9	ADHSIVE	3M CIP-66

- NOTE:
- CABLE LENGTH:L1=3000±100mm;L2=3000±100mm;L3=3000±100mm
 - FOAM GLUE FIXED ON THE A SIDE, A SIDE UP WHEN USED.
 - MATERIAL PLEASE REFER TO TABLE A.

SYMBOLS	THIS DRAWING CONTAINS INFORMATION THAT IS PROPRIETARY TO MOLEX ELECTRONIC TECHNOLOGIES, LLC AND SHOULD NOT BE USED WITHOUT WRITTEN PERMISSION	CURRENT REV DESC:		molex																						
	<table border="1"> <tr> <th>DIMENSION UNITS</th> <th>SCALE</th> </tr> <tr> <td>mm</td> <td>1:1</td> </tr> </table>	DIMENSION UNITS	SCALE		mm	1:1	<table border="1"> <tr> <td>EC NO: 627634</td> <td>2019/11/19</td> </tr> <tr> <td>DRWN: KCHENG06</td> <td>2019/11/28</td> </tr> <tr> <td>CHK'D: XJSONG</td> <td>2019/11/28</td> </tr> <tr> <td>APPR: XJSONG</td> <td>2019/11/28</td> </tr> </table>		EC NO: 627634	2019/11/19	DRWN: KCHENG06	2019/11/28	CHK'D: XJSONG	2019/11/28	APPR: XJSONG	2019/11/28	3IN1 (4G/WIFI/GPS) EXTERNAL ANTENNA									
DIMENSION UNITS	SCALE																									
mm	1:1																									
EC NO: 627634	2019/11/19																									
DRWN: KCHENG06	2019/11/28																									
CHK'D: XJSONG	2019/11/28																									
APPR: XJSONG	2019/11/28																									
<table border="1"> <tr> <th>GENERAL TOLERANCES (UNLESS SPECIFIED)</th> <th>ANGULAR TOL</th> </tr> <tr> <td>▽ = 0</td> <td>± °</td> </tr> <tr> <td>▽ = 0</td> <td>±</td> </tr> <tr> <td>▽ = 0</td> <td>±</td> </tr> <tr> <td>▽ = 0</td> <td>± 1.5</td> </tr> <tr> <td>▽ = 0</td> <td>± 2.0</td> </tr> <tr> <td>▽ = 0</td> <td>±</td> </tr> </table>	GENERAL TOLERANCES (UNLESS SPECIFIED)	ANGULAR TOL	▽ = 0	± °	▽ = 0	±	▽ = 0	±	▽ = 0	± 1.5	▽ = 0	± 2.0	▽ = 0	±	INITIAL REVISION:		PRODUCT CUSTOMER DRAWING									
GENERAL TOLERANCES (UNLESS SPECIFIED)	ANGULAR TOL																									
▽ = 0	± °																									
▽ = 0	±																									
▽ = 0	±																									
▽ = 0	± 1.5																									
▽ = 0	± 2.0																									
▽ = 0	±																									
<table border="1"> <tr> <th>DRAFT WHERE APPLICABLE MUST REMAIN WITHIN DIMENSIONS</th> <th>THIRD ANGLE PROJECTION</th> <th>DRAWING</th> <th>SERIES</th> <th>MATERIAL NUMBER</th> <th>CUSTOMER</th> <th>SHEET NUMBER</th> </tr> <tr> <td>▽ = 0</td> <td>⊕</td> <td>A3-SIZE</td> <td>206866</td> <td>2068663000</td> <td>GENERAL MARKET</td> <td>1 OF 1</td> </tr> </table>	DRAFT WHERE APPLICABLE MUST REMAIN WITHIN DIMENSIONS	THIRD ANGLE PROJECTION	DRAWING	SERIES	MATERIAL NUMBER	CUSTOMER	SHEET NUMBER	▽ = 0	⊕	A3-SIZE	206866	2068663000	GENERAL MARKET	1 OF 1	<table border="1"> <tr> <th>DOCUMENT NUMBER</th> <th>DOC TYPE</th> <th>DOC PART</th> <th>REVISION</th> </tr> <tr> <td>2068663000</td> <td>PSD</td> <td>SD</td> <td>A1</td> </tr> </table>		DOCUMENT NUMBER	DOC TYPE	DOC PART	REVISION	2068663000	PSD	SD	A1		
DRAFT WHERE APPLICABLE MUST REMAIN WITHIN DIMENSIONS	THIRD ANGLE PROJECTION	DRAWING	SERIES	MATERIAL NUMBER	CUSTOMER	SHEET NUMBER																				
▽ = 0	⊕	A3-SIZE	206866	2068663000	GENERAL MARKET	1 OF 1																				
DOCUMENT NUMBER	DOC TYPE	DOC PART	REVISION																							
2068663000	PSD	SD	A1																							