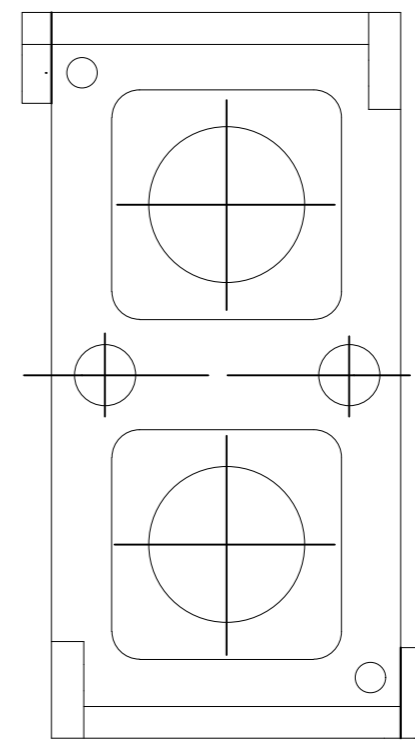
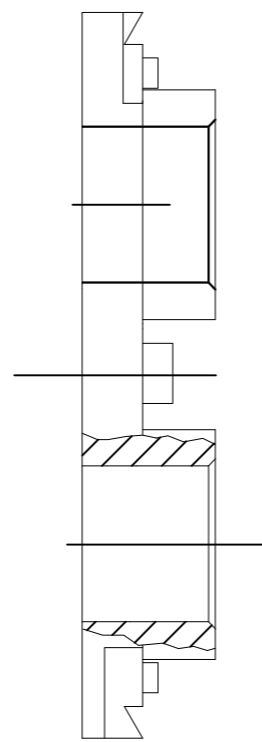
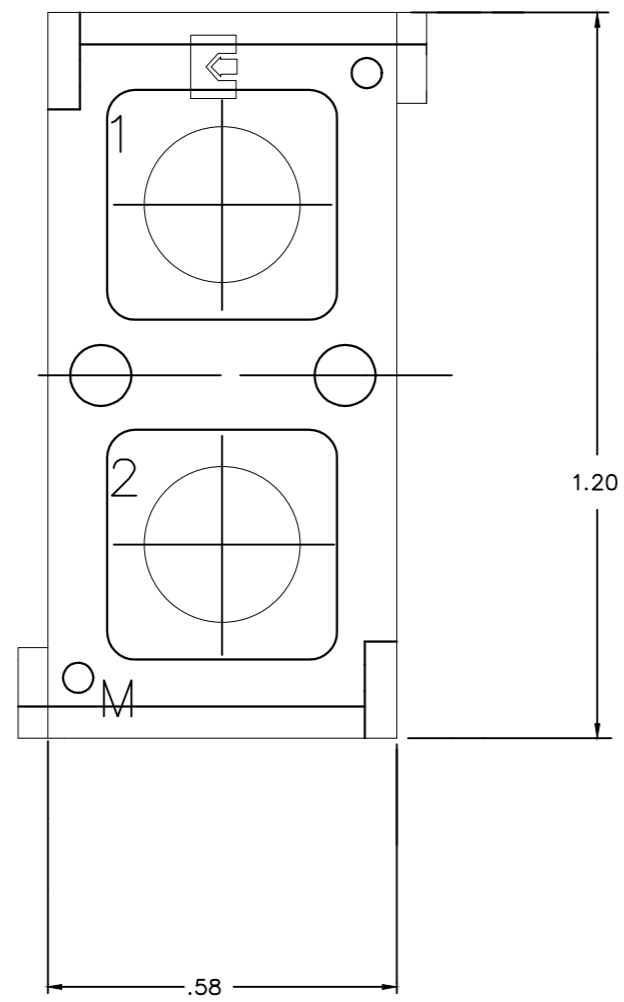


THIS DRAWING IS UNPUBLISHED. RELEASED FOR PUBLICATION
 © COPYRIGHT - TE Connectivity Ltd. ALL RIGHTS RESERVED.

REVISIONS				
P	LTR	DESCRIPTION	DATE	APVD
A		FIRST RELEASE	28AUG2019	OL SZ



- 2. HOUSING: THERMO PLASTIC: BLACK
- 1. PART NUMBER CHANGES AND/OR DESIGN CHANGES AFFECTING ITEM INTERCHANGABILITY REQUIRE PRIOR TE CONNECTIVITY APPROVAL AND AUTHORIZATION BY REVISION TO THIS DRAWING.

1650667-1 PART NUMBER

THIS DRAWING IS A CONTROLLED DOCUMENT.		DWN ORANDO LI 28AUG2019																				
DIMENSIONS: mm		CHK SUNY ZHAO 28AUG2019																				
TOLERANCES UNLESS OTHERWISE SPECIFIED:		APVD SUNY ZHAO 28AUG2019	NAME HOUSING,PIN,FRONT,M MODULE,DOMINO CONNECTOR																			
<table border="0"> <tr><td>0 PLC</td><td>±</td><td>-</td></tr> <tr><td>1 PLC</td><td>±</td><td>-</td></tr> <tr><td>2 PLC</td><td>±</td><td>.02</td></tr> <tr><td>3 PLC</td><td>±</td><td>.01</td></tr> <tr><td>4 PLC</td><td>±</td><td>-</td></tr> <tr><td>ANGLES</td><td>±</td><td>-</td></tr> </table>		0 PLC	±	-	1 PLC	±	-	2 PLC	±	.02	3 PLC	±	.01	4 PLC	±	-	ANGLES	±	-	PRODUCT SPEC	-	
0 PLC	±	-																				
1 PLC	±	-																				
2 PLC	±	.02																				
3 PLC	±	.01																				
4 PLC	±	-																				
ANGLES	±	-																				
MATERIAL -		APPLICATION SPEC	-																			
FINISH -		WEIGHT 0.000000	SIZE A2	CAGE CODE 00779																		
		CUSTOMER DRAWING	DRAWING NO C=1650667	RESTRICTED TO -																		
		SCALE 1:1	SHEET 1 of 1	REV A																		