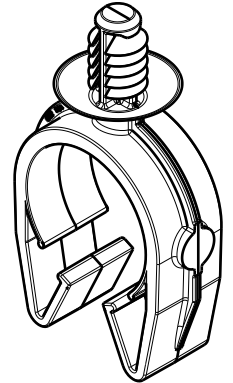
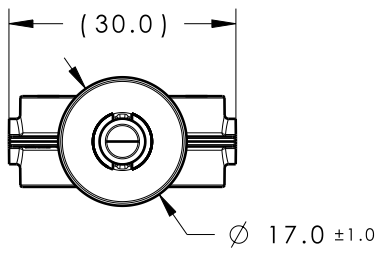




Revision Level			Revision Record	Changed	Date	Approved	Date
Drawing	State	Part					
04.1	Design Release	-	SEE ECN# 015443	NHK	09/24/19	EJF	09/24/19

- REFERENCE:
 PERFORMANCE REQUIREMENTS AT DRY AS MOLDED:
1. FIR TREE PUSH IN FORCE: 45 NEWTONS (10 LBS) MAX IN THE APPLICABLE NOMINAL HOLE SIZE AND A PLATE THICKNESS OF 1.8mm.
 2. FIR TREE PULL OUT FORCE: 110 NEWTONS (25 LBS) MIN IN THE APPLICABLE NOMINAL HOLE SIZE AND A PLATE THICKNESS OF 1.8mm.
 3. SHEET METAL THICKNESS RANGE: 0.60mm - 5.5mm
 4. APPLICABLE HOLE SIZE:
 A. 6.5mm +0.5/- 0.4
 5. FITS USCAR MATING HOLE EWCAP -007 (NOT A TEST SPEC.)



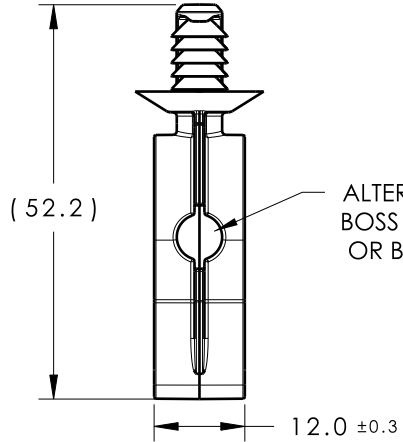
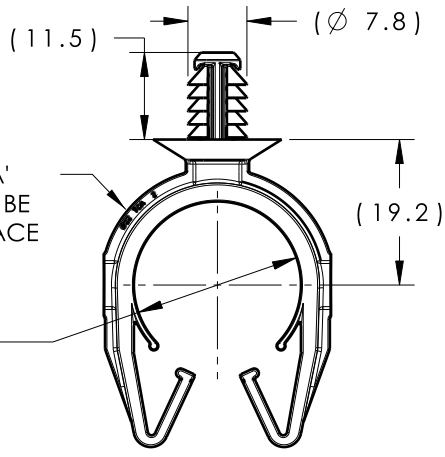
ISOMETRIC VIEW

- NOTES:
1. MAXIMUM PERCENT REGRIND PERMISSIBLE: 25%
 2. MAX ALLOWABLE FLASH TO BE: 0.25mm
 3. MAX ALLOWABLE MISMATCH TO BE: 0.10mm

PATENT:
 US D822,476 S
 EU 003864313
 CN 304373914 S

CAVITY ID NUMBER, 'TCA' AND PART DIAMETER TO BE LOCATED ON THIS SURFACE

Ø 22.10 ^{+0.20}/_{-0.70}



ALTERNATE CONSTRUCTION: BOSS MAY APPEAR ON ONE OR BOTH SIDES OF THE CLIP

DIAMETER RANGE		
HARNESS	HOSE	HARD PIPE/TUBE
20.0MM-24.0MM	20.0MM-24.0MM	22.0MM-25.0MM

GLOBAL PART DESCRIPTION	MATERIAL	COLOR
MOC22FT6.5-PA66HIRHSUV-BK	PA66HIRHSUV	BLACK
MOC22FT6.5-PPS-ML	PPS	SILVER

Material SEE CHART COLOR: SEE CHART	Units	millimeters	The copyright of this drawing is reserved by HellermannTyton. It is issued on condition that it is not reproduced, copied or disclosed to a third party, either wholly or in part, without the consent of HellermannTyton.	Drawn	CRB	08/23/16	Article/Type-No MOC22FT6.5	Scale	1:1	
	Tolerance defined on each dimension	Approved		EJH	09/29/16	Title 22MM (7/8") MODULAR OMEGA CLIP WITH 6.5MM FIR TREE		Project Number	16-0323	
		HellermannTyton			Drawing-No		PRODUCTION : Phase	Format	AH	
					North America Email: corp@htamericas.com Web: www.hellermann.tyton.com			16-0323-009-CSU	Sheet	1/1