



Revision Level			Revision Record	Changed	Date	Approved	Date
Drawing	State	Part					
02.1	Design Release	-	SEE ECN# 015477	NHK	10/14/19	EJF	10/14/19

REFERENCE:

PERFORMANCE REQUIREMENTS AT DRY AS MOLDED:

1. FIR TREE PUSH IN FORCE: 45 NEWTONS (10 LBS) MAX IN EACH APPLICABLE OVAL HOLE SIZE AND A PLATE THICKNESS OF 1.8mm.
2. FIR TREE PULL OUT FORCE: 110 NEWTONS (25 LBS) MIN IN EACH APPLICABLE OVAL HOLE SIZE AND A PLATE THICKNESS OF 1.8mm.
3. SHEET METAL THICKNESS RANGE: 0.60mm - 6.75mm
4. APPLICABLE OVAL HOLE SIZES:
 - A. 6.2 X 12.2mm
 - B. 6.5 X 12.5mm
 - C. 6.5 X 13.0mm
 - D. 7.0 X 12.0mm
5. FITS USCAR MATING HOLE EWCAP -007 (NOT A TEST SPEC.)

NOTES:

1. MAXIMUM PERCENT REGRIND PERMISSIBLE: 25%
2. MAX ALLOWABLE FLASH TO BE 0.25mm.
3. MAX ALLOWABLE MISMATCH TO BE 0.1mm.

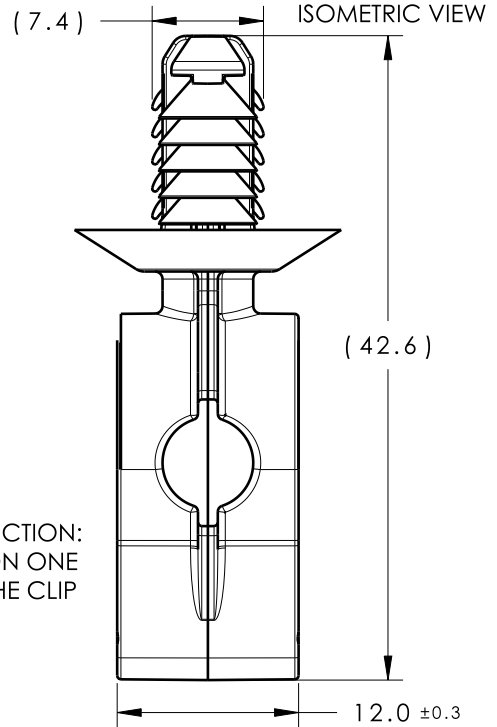
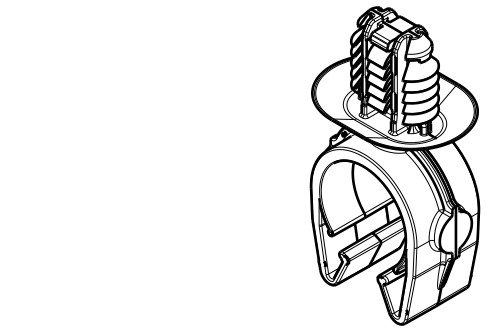
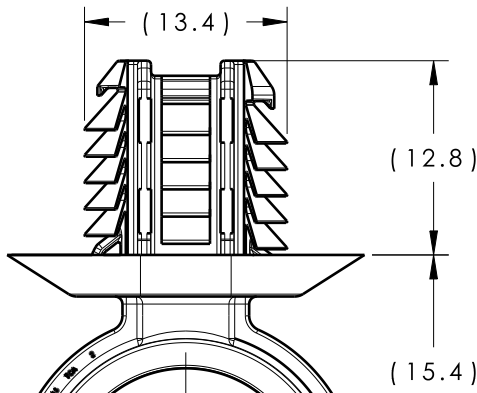
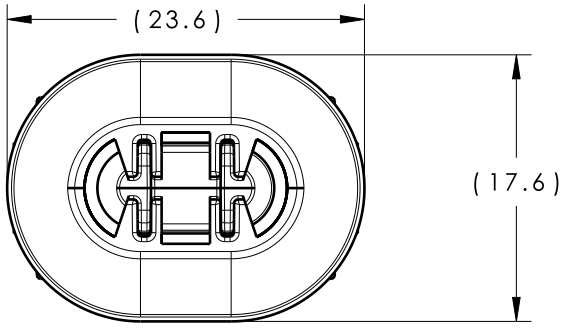
PATENTS: US D822,476 S, EU 003864313, CN 304373914 S



CAVITY ID, DIAMETER, AND 'TCA' TO BE SHOWN ON THIS SURFACE

Ø 15.80 ±0.20

ALTERNATE CONSTRUCTION: BOSS MAY APPEAR ON ONE OR BOTH SIDES OF THE CLIP



DIAMETER RANGE		
HARNESS	HOSE	HARD PIPE/TUBE
14.0MM-17.0MM	14.0MM-17.0MM	15.9MM-18.3MM



GLOBAL PART DESCRIPTION	MATERIAL	COLOR
MOC16FTOVAL-PA66HIRHSUV-BK	PA66HIRHSUV	BLACK

Material
SEE CHART
COLOR: SEE CHART

Units millimeters
Tolerance defined on each dimension

The copyright of this drawing is reserved by HellermannTyton. It is issued on condition that it is not reproduced, copied or disclosed to a third party, either wholly or in part, without the consent of HellermannTyton.

Drawn CRB 08/22/16
Approved EJH 09/28/16

HellermannTyton

North America
Email: corp@htamericas.com
Web: www.hellermann.tyton.com

Article/Type-No	MOC16FTOVAL	Scale	2:1
Title	16MM (5/8") MOC WITH 6.5 X 12.5MM OVAL FIR TREE	Project Number	16-0321
Drawing-No	PRODUCTION	Phase	AH
16-0321-010-CSU			Sheet 1/1

