

MATERIAL NUMBER

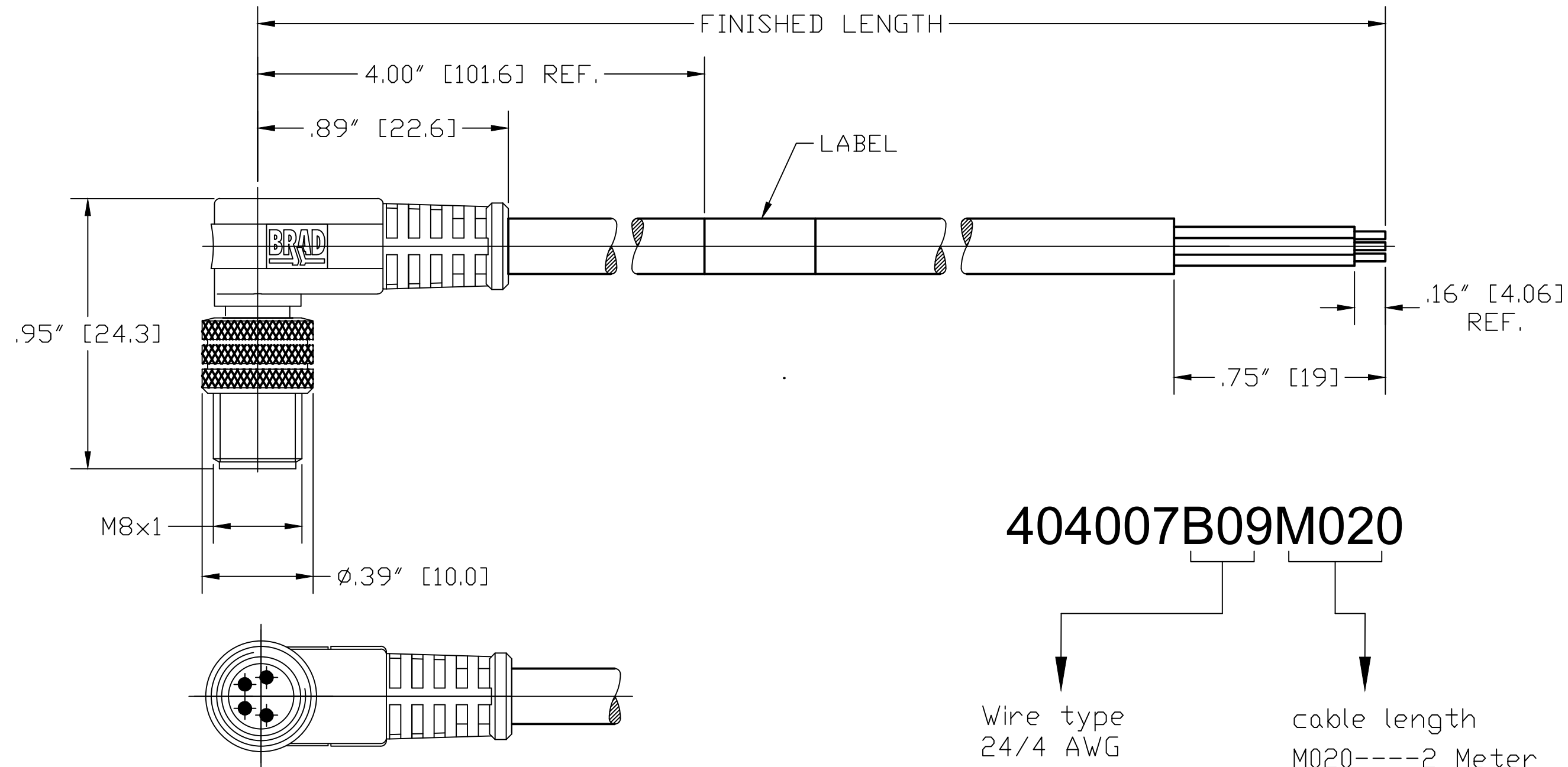
OLD PART NUMBER

FINISHED LENGTH

120086-0052

404007B09M020

6.56' +3.50" -0 [2.0M +88.9mm -0]



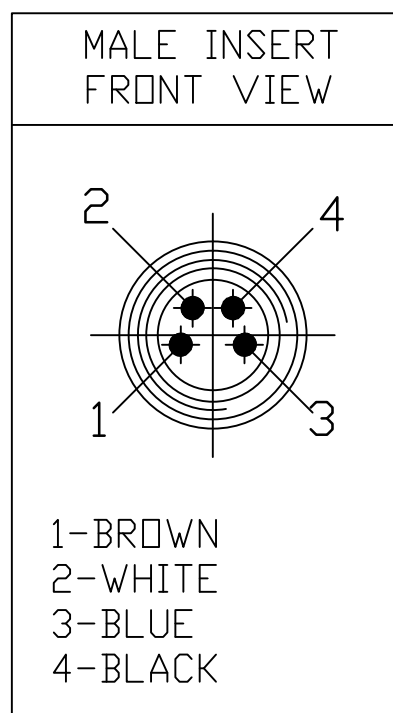
P1	
1	BROWN
2	WHITE
3	BLUE
4	BLACK

404007B09M020

WIRING DIAGRAM

Wire type
24/4 AWG
Yellow PUR

cable length
M020----2 Meter
M100----10 Meter



CONTACT:	GOLD/NICKEL OVER COPPER ALLOY
INSERT:	PUR, BLACK
COUPLING NUT:	NICKEL PLATED BRASS
MOLDED BODY:	RITREFLEX, YELLOW
VOLTAGE RATING:	60 VAC/ 75 VDC
AMPERAGE RATING:	4 AMPS
PROTECTION:	IP67
OPERATING TEMPERATURE:	-20°C TO 80°C
UL CERTIFICATIONS:	UL LISTED, FILE NO. E152210
CSA CERTIFIED:	CSA CERTIFIED, FILE NO. LR6837

INITIAL RELEASE EC NO.: IPG2013-1910 DRWN: EBRACKEN 2013/06/20 CHKD: RSTONE APPR: BWOODMAN2013/08/14	QUALITY SYMBOL ▽=0 C=0	GENERAL TOLERANCES (UNLESS SPECIFIED)		DIMENSION STYLE IN/MM	SCALE ---	DESIGN UNITS INCH	THIRD ANGLE PROJECTION		
		4 PLACES	±---	±---	DRAWN BY EBRACKEN	DATE 2013/06/18	TITLE NANO-CHANGE ASSEMBLY 4 POLE M/MP 90D COUP. #24/4 YELLOW PUR		
		3 PLACES	±---	±.005	CHECKED BY RSTONE	DATE ----			
		2 PLACES	±0.13	±.010	APPROVED BY BWOODMAN	DATE 2013/08/14	MOLEX INCORPORATED		
1 PLACE	±0.25	±.020	ANGULAR ±.5°		MATERIAL NO. SEE CHART	DOCUMENT NO. SD-120086-034	SHEET NO. 1 OF 1		
DRAFT WHERE APPLICABLE MUST REMAIN WITHIN DIMENSIONS		THIS DRAWING CONTAINS INFORMATION THAT IS PROPRIETARY TO MOLEX INCORPORATED AND SHOULD NOT BE USED WITHOUT WRITTEN PERMISSION							