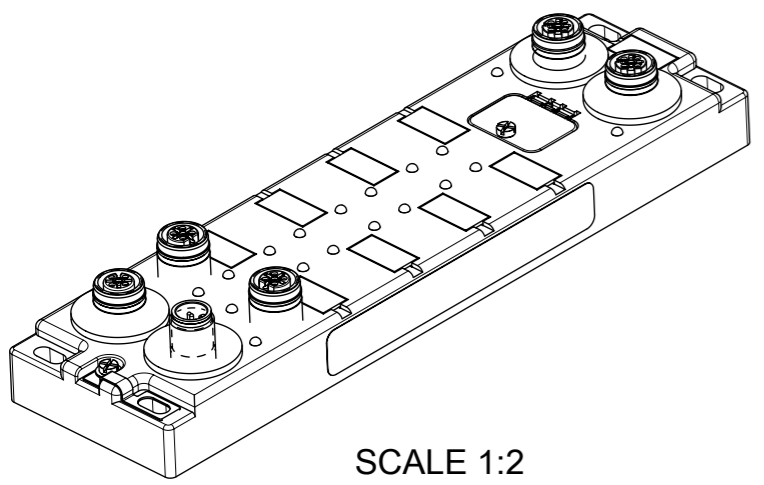


FIXING HOLES
SUITABLE FOR M5
SCREWS

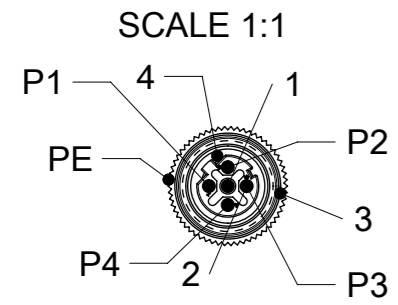
FIXING HOLES
SUITABLE FOR M5
SCREWS



SCALE 1:2

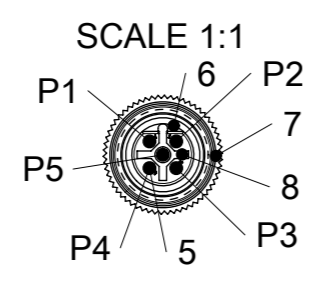
THIS DRAWING CONTAINS INFORMATION THAT IS PROPRIETARY TO MOLEX ELECTRONIC TECHNOLOGIES, LLC AND SHOULD NOT BE USED WITHOUT WRITTEN PERMISSION										
QUALITY SYMBOLS ▽A = 0 ▽E = 0 ▽F = 0 ▼ = 0 ▽C = 0 ⊗ = 0 ■ = 0 ▽ = 0	EC NO: 101573 DRWN: AAHLERS CHK'D: RSILLER APPR: RSILLER	2015/10/07 2015/11/03 2015/11/03	GENERAL TOLERANCES (UNLESS SPECIFIED)		DIMENSION UNITS	SCALE				
			ANGULAR TOL ± °	4 PLACES ±	mm	1:1				
			3 PLACES ±	2 PLACES ±	DRWN BY ULETTENMEIER	DATE 2015/01/19	DBO ETH 60 MM PB U12 4P 2P DC FE U12 5P 2P BC FE M12 5P AC MA U12 5P AC FE			
			1 PLACE ± 0.3	0 PLACES ± 0.5	CHK'D BY RSILLER	DATE 2015/06/25				
			DRAFT WHERE APPLICABLE MUST REMAIN WITHIN DIMENSIONS		APPR BY RSILLER	DATE 2015/06/25	PRODUCT CUSTOMER DRAWING			
			A1	REV	DRAWING SIZE A3	THIRD ANGLE PROJECTION	SERIES 112016	MATERIAL NUMBER SEE TABLE 1	CUSTOMER GENERAL MARKET	
							DOCUMENT NUMBER 1120165002	DOC TYPE PSD	DOC PART 000	SHEET NUMBER 1 OF 3

A
ETHERNET
 2x FEMALE M12 4P D-CODE



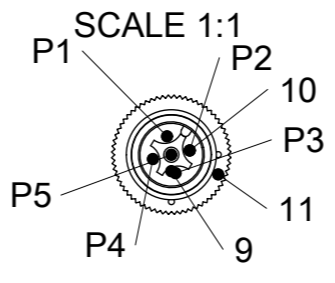
WIRING INFORMATION
 P1 TX+
 P2 RX+
 P3 TX-
 P4 RX-

B
PROFIBUS
 2x FEMALE M12 5P B-CODE



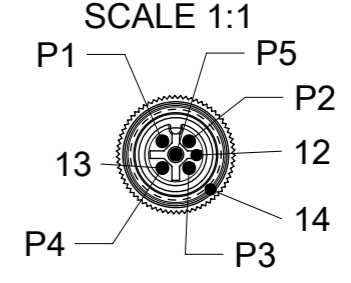
WIRING INFORMATION
 P1 5VDC
 P2 Bus A
 P3 Ground
 P4 Bus B
 P5 Shield

C
POWER INPUT
 1x MALE M12 5PIN A-CODE



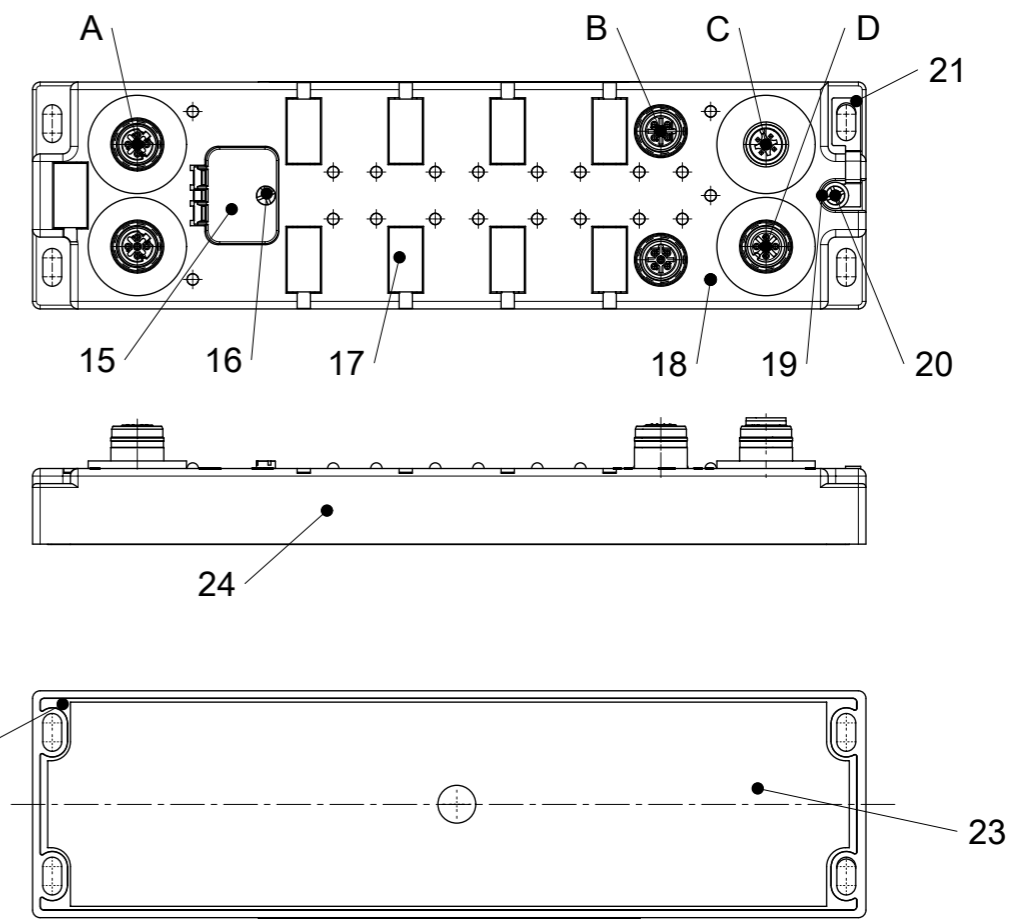
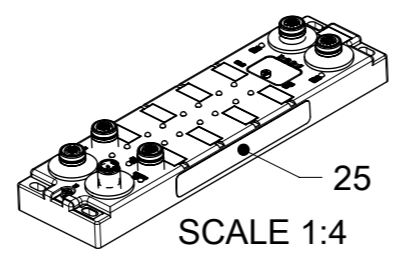
WIRING INFORMATION
 P1 - 24 VDC
 P2 - 24 VDC
 P3 - Ground
 P4 - Ground
 P5 - PE (Protected Earth)

D
POWER OUTPUT
 1x FEMALE M12 5PIN A-CODE



BILL OF MATERIAL

ITEM	DESCRIPTION	MATERIAL	FINISH
1	INSERT	TPU	BLACK
2	CONTACT	COPPER ALLOY	GOLD OVERNICKEL
3	SHELL	BRASS	NICKEL PLATET
4	GASKET	FPM	RED
5	CONTACT	COPPER ALLOY	GOLD OVER NICKEL
6	GASKET	FPM	RED
7	SHELL	BRASS	NICKEL PLATET
8	INSERT	TPU	BLACK
9	INSERT	TPU	BLACK
10	CONTACT	COPPER ALLOY	GOLD OVERNICKEL
11	SHELL	BRASS	NICKEL PLATET
12	INSERT	TPU	BLACK
13	CONTACT	COPPER ALLOY	GOLD OVER NICKEL
14	SHELL	BRASS	NICKEL PLATET
15	WINDOW	PC	TRANSPARENT
16	SCREW	V2A	V2A
17	LABEL	PC	WHITE
18	FIBER OPTIC	PA	TRANSPARENT
19	WASHER	BRASS	NICKEL PLATET
20	SCREW	V2A	V2A
21	SHIELD PLATE	STAINLESS STEEL	STAINLESS STEEL
22	RESIN	EPOXY	TRANSPARENT
23	LABEL	PVC	WHITE
24	HOUSING	PBT	BLACK
25	LABEL	PVC	YELLOW

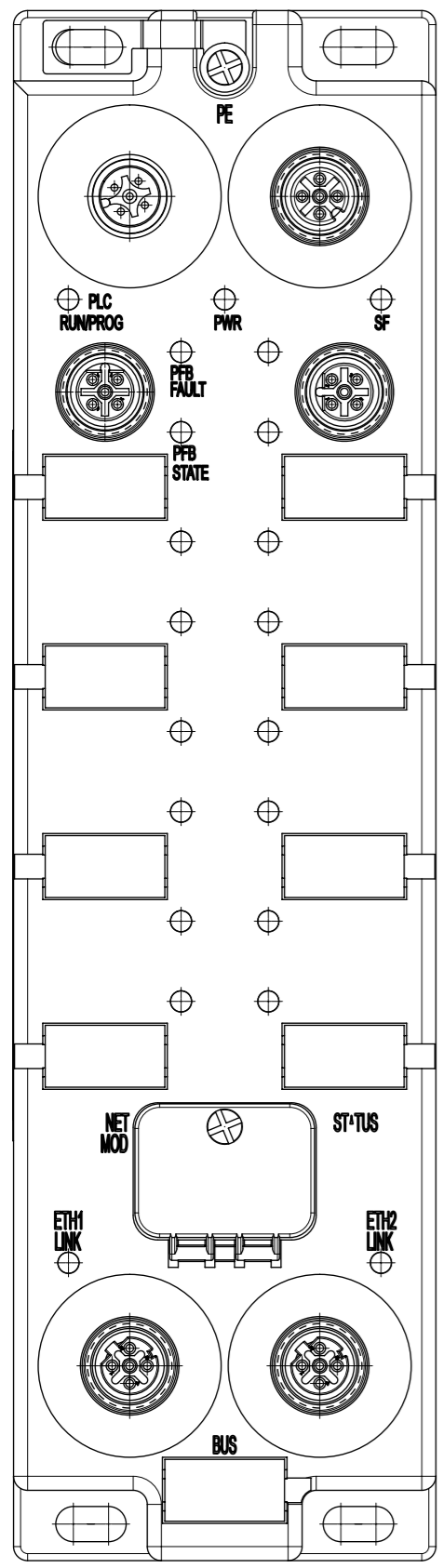


QUALITY SYMBOLS A = 0 E = 0 F = 0 G = 0 H = 0 I = 0 J = 0 K = 0 L = 0 M = 0 N = 0 O = 0				THIS DRAWING CONTAINS INFORMATION THAT IS PROPRIETARY TO MOLEX ELECTRONIC TECHNOLOGIES, LLC AND SHOULD NOT BE USED WITHOUT WRITTEN PERMISSION				molex DBO ETH 60 MM PB U12 4P 2P DC FE U12 5P 2P BC FE M12 5P AC MA U12 5P AC FE			
EC NO: 101573 DRWN: AAHLERS CHK'D: RSILLER APPR: RSILLER		2015/10/07 2015/11/03 2015/11/03		GENERAL TOLERANCES (UNLESS SPECIFIED) ANGULAR TOL ± ° 4 PLACES ± 3 PLACES ± 2 PLACES ± 1 PLACE ± 0.3 0 PLACES ± 0.5		DIMENSION UNITS: mm SCALE: 1:2 DRWN BY: ULETTENMEIER DATE: 2015/01/19 CHK'D BY: [blank] DATE: [blank]		PRODUCT CUSTOMER DRAWING SERIES: 112016 MATERIAL NUMBER: SEE TABLE 1 CUSTOMER: GENERAL MARKET			
A1		DRAFT WHERE APPLICABLE MUST REMAIN WITHIN DIMENSIONS		DRAWING SIZE: A3 THIRD ANGLE PROJECTION		APPR BY: RSILLER DATE: 2015/06/25		DOCUMENT NUMBER: 1120165002 DOC TYPE: PSD DOC PART: 000 SHEET NUMBER: 2 OF 3			

9 8 7 6 5 4 3 2 1

E
D
C
B
A

TABLE 1 PRINTING					
		EtherNet/IP Profibus			
POWER TYPE	INPUT / OUTPUT		ENG.NO.	MOLEX P/N	3D MODEL NO.
M12 5 POLE	N/A	N/A	SST-PB3-REM-R	1120165002	1120165002 (PDM)



PRINTING

QUALITY SYMBOLS ▽ _A = 0 ▽ _E = 0 ▽ _P = 0 ▼ = 0 ▽ _C = 0 ⊗ = 0 ■ = 0 ▽ = 0	THIS DRAWING CONTAINS INFORMATION THAT IS PROPRIETARY TO MOLEX ELECTRONIC TECHNOLOGIES, LLC AND SHOULD NOT BE USED WITHOUT WRITTEN PERMISSION												
	EC NO: 101573 DRWN: AAHLERS CHK'D: RSILLER REV APPR: RSILLER	2015/10/07		2015/11/03		2015/11/03		GENERAL TOLERANCES (UNLESS SPECIFIED)		DIMENSION UNITS		SCALE	
		4 PLACES		±				ANGULAR TOL ± °		mm		1:1	
		3 PLACES		±				0.3		DRWN BY		DATE	
		2 PLACES		±				0.5		ULETTENMEIER		2015/01/19	
		1 PLACE		±				DRAFT WHERE APPLICABLE MUST REMAIN WITHIN DIMENSIONS		CHK'D BY		DATE	
	0 PLACES		±						APPR BY		DATE		
	A1		REV		A3		THIRD ANGLE PROJECTION		RSILLER		2015/06/25		
	A1		REV		A3		THIRD ANGLE PROJECTION		DRAWING SIZE		CUSTOMER		
	A1		REV		A3		THIRD ANGLE PROJECTION		A3		GENERAL MARKET		
A1		REV		A3		THIRD ANGLE PROJECTION		A3		GENERAL MARKET			



DBO ETH 60 MM PB U12 4P 2P DC FE U12 5P
2P BC FE M12 5P AC MA U12 5P AC FE

PRODUCT CUSTOMER DRAWING

SERIES	MATERIAL NUMBER	CUSTOMER	
112016	SEE TABLE 1	GENERAL MARKET	
DOCUMENT NUMBER		DOC TYPE	DOC PART
1120165002		PSD	000
SHEET NUMBER		3 OF 3	

9 8 7 6 5 4 3 2 1