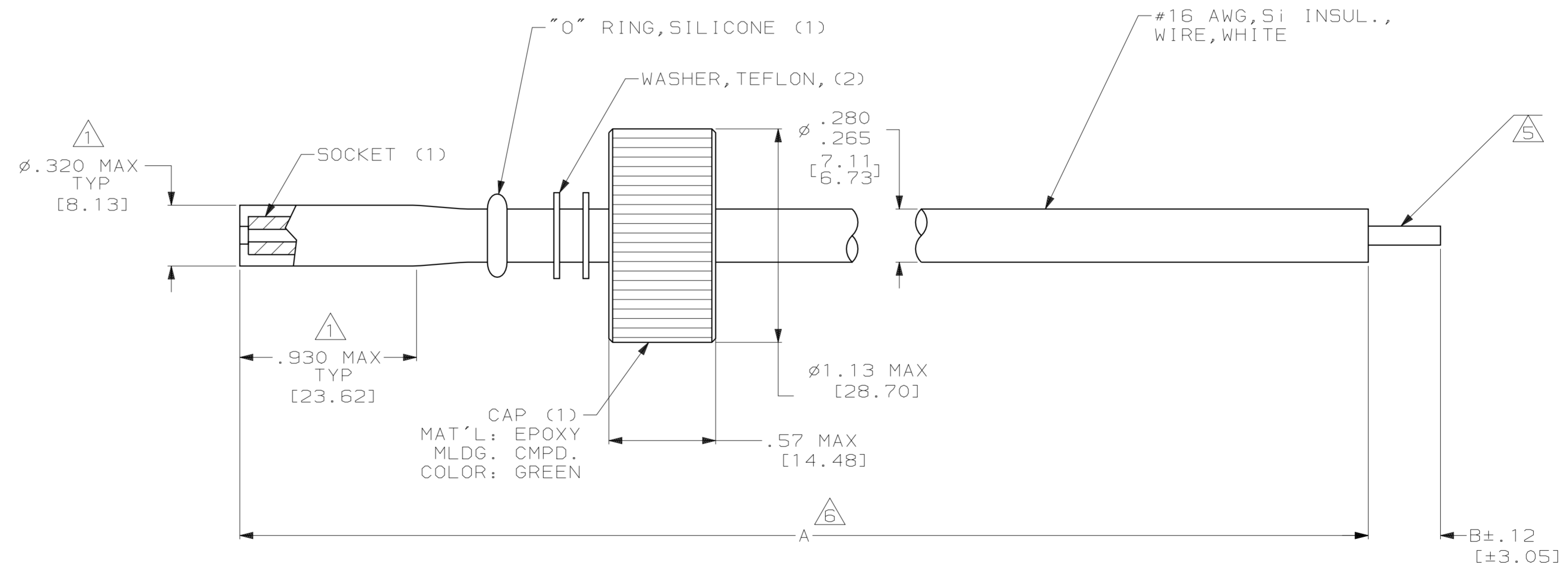


| PROJ | | LOC | DIST | P | | F | | ZONE | | LTR | | REVISIONS | |
|----------------------|----|-----|------|---|--|---|--|------|--|-----|--|-----------|------|
| 4089 | DF | 50 | | | | | | | | | | | |
| DESCRIPTION | | | | | | | | | | | | DATE | APPD |
| REV PER 0600-5828-96 | | | | | | | | | | | | CT | SG |
| | | | | | | | | | | | | 10-96 | |

| PART NO. | A | B | |
|------------|------------------|-----------|----------|
| 833779-1 | 6.00 [152.4] | .38 [9.7] | OBSOLETE |
| 833779-2 | 12.00 [304.8] | .38 [9.7] | |
| 833779-3 | 18.00 [457.2] | .38 [9.7] | |
| 833779-4 | 24.00 [609.6] | .38 [9.7] | OBSOLETE |
| 833779-5 | 30.00 [762.0] | .38 [9.7] | OBSOLETE |
| 833779-6 | 7.00 [177.8] | .38 [9.7] | OBSOLETE |
| 833779-7 | 9.25 [234.9] | .38 [9.7] | OBSOLETE |
| 833779-8 | 60.00 [1524.0] | - | |
| 833779-9 | 120.00 [3048.0] | .38 [9.7] | OBSOLETE |
| 1-833779-0 | 36.00 [914.4] | .38 [9.7] | |
| 1-833779-1 | 240.00 [6096.0] | .38 [9.7] | OBSOLETE |
| 1-833779-2 | 18.00 [457.2] | .38 [9.7] | OBSOLETE |
| 1-833779-3 | 60.00 [1524.0] | .38 [9.7] | OBSOLETE |
| 1-833779-4 | 16.00 [406.4] | .38 [9.7] | OBSOLETE |
| 1-833779-5 | 72.00 [1828.8] | .38 [9.7] | OBSOLETE |
| 1-833779-6 | 2.88 [73.2] | .38 [9.7] | OBSOLETE |
| 1-833779-7 | 96.00 [2438.4] | - | OBSOLETE |
| 1-833779-8 | 10.00 [254.0] | .38 [9.7] | |
| 1-833779-9 | 4.00 [101.6] | - | OBSOLETE |
| 2-833779-0 | 84.00 [2133.6] | .38 [9.7] | |
| 2-833779-1 | 28.00 [711.2] | .38 [9.7] | OBSOLETE |
| 2-833779-2 | 48.00 [1219.2] | .38 [9.7] | |
| 2-833779-3 | 21.00 [533.4] | .38 [9.7] | OBSOLETE |
| 2-833779-4 | 7.00 [177.8] | - | OBSOLETE |
| 2-833779-5 | 9.00 [228.6] | - | OBSOLETE |
| 2-833779-6 | 48.00 [1219.2] | - | OBSOLETE |
| 2-833779-7 | 120.00 [3048.0] | - | OBSOLETE |
| 2-833779-8 | 3.00 [76.2] | - | OBSOLETE |
| 2-833779-9 | 94.00 [2387.6] | - | OBSOLETE |
| 3-833779-0 | 22.00 [558.8] | - | |
| 3-833779-1 | 144.00 [3657.6] | .38 [9.7] | OBSOLETE |
| 3-833779-2 | 30.00 [762.0] | .38 [9.7] | OBSOLETE |
| 3-833779-3 | 20.00 [508.0] | - | |
| 3-833779-4 | 40.00 [1016.0] | .38 [9.7] | OBSOLETE |
| 3-833779-5 | 8.00 [203.2] | .38 [9.7] | |
| 3-833779-6 | 36.00 [914.4] | - | OBSOLETE |
| 3-833779-7 | 15.00 [381.0] | - | |
| 3-833779-8 | 45.00 [1143.0] | - | OBSOLETE |
| 3-833779-9 | 132.00 [3352.8] | - | OBSOLETE |
| 4-833779-0 | 50.00 [1270.0] | .38 [9.7] | OBSOLETE |
| 4-833779-1 | 70.00 [1778.0] | .38 [9.7] | OBSOLETE |
| 4-833779-2 | 600.00 [15240.0] | .38 [9.7] | OBSOLETE |
| 4-833779-3 | 300.00 [7620.0] | - | OBSOLETE |
| 4-833779-4 | 25.00 [635.0] | .38 [9.7] | OBSOLETE |
| 4-833779-5 | 13.50 [342.9] | - | OBSOLETE |
| 4-833779-6 | 15.00 [381.0] | .38 [9.7] | OBSOLETE |
| 4-833779-7 | 24.00 [609.6] | .38 [9.7] | OBSOLETE |
| 4-833779-8 | 45.00 [1143.0] | .38 [9.7] | |
| 4-833779-9 | 5.00 [127.0] | .38 [9.7] | OBSOLETE |
| 5-833779-0 | 32.00 [812.8] | .38 [9.7] | OBSOLETE |

| PART NO. | A | B | |
|------------|------------------|------------|----------|
| 5-833779-1 | 65.00 [1651.0] | - | OBSOLETE |
| 5-833779-2 | 900.00 [22860.0] | .38 [9.7] | OBSOLETE |
| 5-833779-3 | 10.00 [254.0] | - | OBSOLETE |
| 5-833779-4 | 12.00 [304.8] | - | OBSOLETE |
| 5-833779-5 | 96.00 [2438.4] | .38 [9.7] | OBSOLETE |
| 5-833779-6 | 97.00 [2463.8] | .38 [9.7] | OBSOLETE |
| 5-833779-7 | 98.00 [2489.2] | .38 [9.7] | OBSOLETE |
| 5-833779-8 | 15.75 [400.0] | - | OBSOLETE |
| 5-833779-9 | 8.50 [215.9] | .50 [12.7] | OBSOLETE |
| 6-833779-0 | 9.50 [241.3] | .50 [12.7] | OBSOLETE |
| 6-833779-1 | 13.00 [330.2] | .50 [12.7] | |
| 6-833779-2 | 14.00 [355.6] | .50 [12.7] | OBSOLETE |
| 6-833779-3 | 38.00 [965.2] | .38 [9.7] | OBSOLETE |
| 6-833779-4 | 18.50 [469.9] | .25 [6.3] | OBSOLETE |
| 6-833779-5 | 19.00 [482.6] | .38 [9.7] | |
| 6-833779-6 | 13.00 [330.2] | .38 [9.7] | OBSOLETE |
| 6-833779-7 | 320.00 [8128.0] | .38 [9.7] | OBSOLETE |
| 6-833779-8 | 51.00 [1295.4] | - | |
| 6-833779-9 | 39.38 [1000.3] | - | |
| 7-833779-0 | 51.25 [1301.7] | - | |
| 7-833779-1 | 16.75 [425.4] | .50 [12.7] | OBSOLETE |
| 7-833779-2 | 29.50 [749.3] | .50 [12.7] | OBSOLETE |
| 7-833779-3 | 158.00 [4013.2] | - | |

- 1. .320 MAX DIMENSION HELD OVER THE .930 MAX AREA ONLY.
- 2. MARKED PER MIL-STD-130.
- 3. DIMENSIONS IN BRACKETS ARE IN MILLIMETERS. METRIC EQUIVALENTS ARE BASED UPON 1.00 INCH = 25.4 mm.
- 4. LEADS WILL MATE WITH AMP LGH-3 RECEPTACLES.
- 5. WHERE APPLICABLE "B" STRIP LENGTH IS SOLDER DIPPED.
- 6. TOLERANCE OF LEAD LENGTH:
 UP TO 24 INCHES [609.6] = ±.12 [±3.1]
 24 INCHES [609.6] & UP = 1%



| | | | | | |
|--|--|----------------------------|--|---|-----------------|
| DO NOT SCALE PRINT. UNLESS SPECIFIED DIMENSIONS IN INCHES [mm] | | DR 9-15-89 C.C. THOMAS | | AMP INCORPORATED Harrisburg, Pa. 17105 | |
| TOLERANCES UNLESS SPECIFIED: | | CHK 1-17-90 S. GLATFELTER | | | |
| 2 PLC DEC ± - | | APPD 1-17-90 S. GLATFELTER | | NAME | |
| 3 PLC DEC ± - | | RLSE 1-17-90 C. THOMAS | | LEAD ASS'Y, LGH-3, SINGLE END | |
| ANGLES ± - | | PRODUCT SPEC - | | DRAWING NO 833779 | |
| MATERIAL | | APPLICATION SPEC - | | SIZE D | CAGE CODE 00779 |
| SEE CALLOUTS | | WEIGHT - | | SCALE 2:1 | SHEET 1 OF 1 |