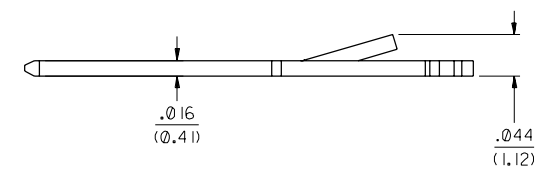
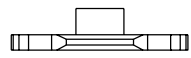
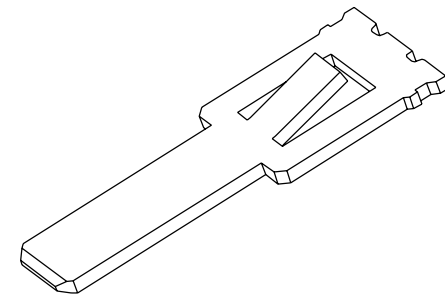


- NOTES:**
1. MATERIAL: PHOSPHOR BRONZE
 2. PLATING: SELECTIVE GOLD (Au)
THICKNESS= 4 MICROINCH / 0.10 MICROMETER MINIMUM NICKEL (Ni) OVERALL
 3. THIS PRODUCT CONFORMS TO PRODUCT SPECIFICATION PS-71182.
 4. PARTS ARE SHIPPED ON REELS
QUANTITY: 10,000 PARTS PER REEL



RELEASE EC No. U180322 DRWN: SCARTH 97/07/17 CHK: NELLIGAN 97/07/21 APPR: NELLIGAN 97/07/21	DESCRIPTION	QUALITY SYMBOLS	GENERAL TOLERANCES: (UNLESS SPECIFIED)		SCALE 10:1	DESIGN UNITS <input type="checkbox"/> mm <input checked="" type="checkbox"/> INCH	DIMENSIONS: <input type="checkbox"/> mm <input checked="" type="checkbox"/> INCH <input type="checkbox"/> mm ONLY		SHT	REV
		MAJOR $\nabla=0$	mm	INCH	DRAWN BY & DATE SCARTH 97/07/17	THIRD ANGLE PROJECTION <input checked="" type="checkbox"/>		REVISE ON CAD ONLY		
A	REV	CRITICAL $\nabla C=0$	4 PLACES $\pm 0.$ $\pm .$		CHECKED BY & DATE NELLIGAN 97/07/21		TITLE: KEY FOR P&D DIGITAL PLUG SALES DRAWING MOLEX INCORPORATED MATERIAL NO. 73816-1001 DRAWING NO. SD-73816-001 SHEET NO. 1 OF 1 SIZE C			
			3 PLACES $\pm 0.$ $\pm .010$		APPROVED BY & DATE NELLIGAN 97/07/21					
			2 PLACES ± 0.25 $\pm .$		CAD FILENAME S73816X1.DGN					
			1 PLACE $\pm 0.$ $\pm .$		MATERIAL NO. 73816-1001					
			ANGULAR: $\pm 1/2^\circ$		THIS DRAWING CONTAINS INFORMATION THAT IS PROPRIETARY TO MOLEX INCORPORATED AND SHOULD NOT BE USED WITHOUT WRITTEN PERMISSION.					
		DRAFT WHERE APPLICABLE MUST REMAIN WITHIN DIMENSIONS								