

1. 製品名称／PRODUCT NAME : 2.0 I/O UPRIGHT DIP HSG ASSY  
製品番号／PART NUMBER : 5 3 4 6 0 - 0 6 3 9

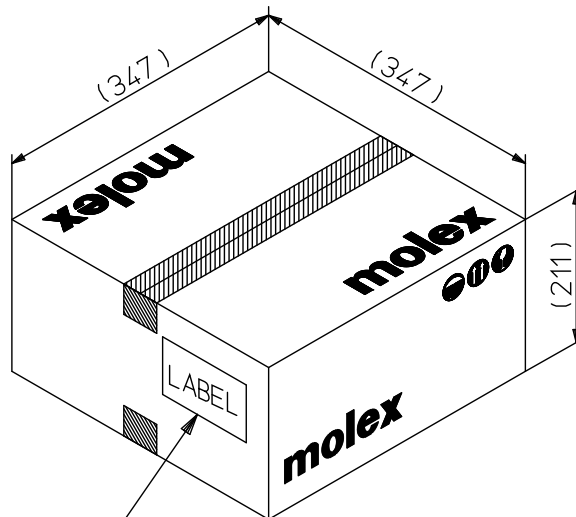
2. 標準梱包数／STANDARD PACKAGING QUANTITY

極 数 CKT. SIZE	プラスチックトレイ(80升) PLASTIC TRAY (80 POCKETS)	外装カートン SHIPPING CARTON	
	1トレイ製品数 QTY. IN ONE TRAY	トレイ枚数 NUMBER OF TRAYS	製品数 QUANTITY
6	80	7	560

REV.	A						
SHEET	1~2						
REVISE ON PC ONLY		TITLE:					
<b>A</b>	RELEASED 169862 2017/12/21 Y.TOKUZONO		5 3 4 6 0 - 0 6 3 9 梱包仕様書 SALES PACKAGING SPEC. FOR 53460-0639				
	THIS DOCUMENT CONTAINS INFORMATION THAT IS PROPRIETARY TO MOLEX ELECTRONIC TECHNOLOGIES, LLC AND SHOULD NOT BE USED WITHOUT WRITTEN PERMISSION						
REV.	DESCRIPTION						
DESIGN CONTROL J		STATUS	WRITTEN BY: YTOKUZONO	CHECKED BY: M.SASAO	APPROVED BY: M.SASAO	DATE: 2017/12/21	
DOCUMENT NUMBER 534609200-SPK			DOC. TYPE PS	DOC. PART 200	CUSTOMER GENERAL	SHEET 1 OF 2	

3. カートン外形参考寸法 / CARTON OUTER DIMENSIONS (REFERENCE PURPOSE ONLY)

単位 / UNIT: mm



カートンラベル  
CARTON LABEL

(製品型番, 数量, ロットNO. 表示)  
INDICATION OF PART No., QUANTITY, LOT No.

標準カートン  
STANDARD CARTON

REVISE ON PC ONLY		TITLE:			
<b>A</b>	SEE SHEET 1 OF 2	5 3 4 6 0 - 0 6 3 9 梱包仕様書 SALES PACKAGING SPEC. FOR 53460-0639			
	REV.	DESCRIPTION	THIS DOCUMENT CONTAINS INFORMATION THAT IS PROPRIETARY TO MOLEX ELECTRONIC TECHNOLOGIES, LLC AND SHOULD NOT BE USED WITHOUT WRITTEN PERMISSION		
DOCUMENT NUMBER 534609200-SPK		DOC. TYPE PS	DOC. PART 200	CUSTOMER GENERAL	SHEET 2 OF 2