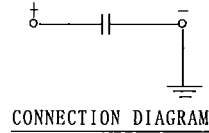
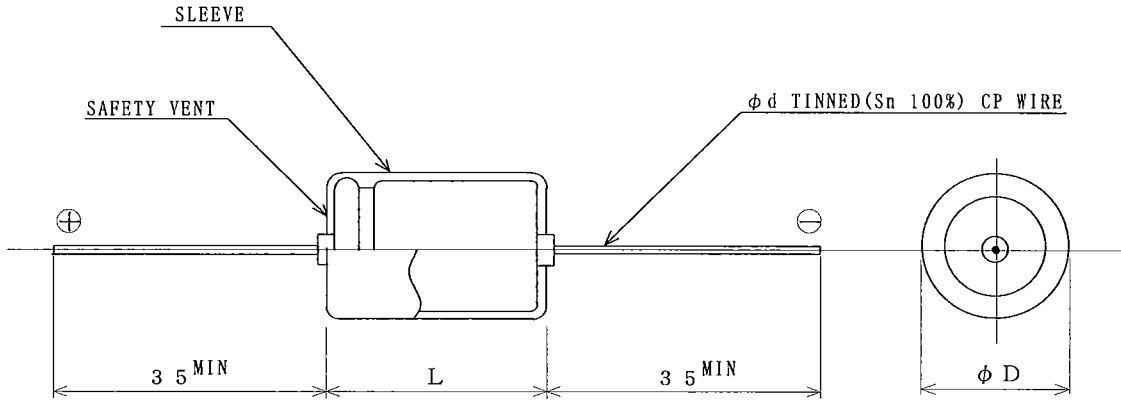


REFERENCE



[MARKING]  
**nichicon**  
 47  $\mu$ F 450V  
  
 VX (M)  
 85°C  
 EIA DATE CODE  
 PET

[SLEEVE]

COLOR	PURPLE BLUE
MATERIAL	P. E. T.
MARKING	WHITE

[DIMENSIONS]

$\phi$ D	23.0 MAX.
L	42.0 MAX.
$\phi$ d	0.8 $\pm$ 0.05

(mm)

ELECTRICAL CHARACTERISTICS

TERMINAL	RATED VOLTAGE (V. D. C)	SURGE VOLTAGE (V. D. C)	RATED CAPACITANCE ( $\mu$ F)	CAPACITANCE TOLERANCE (%)	$\tan \delta$ (MAX.)	LEAKAGE CURRENT ( $\mu$ A MAX.)	RIPPLE CURRENT (mA rms MAX.)
	450	500	47	$\pm$ 20	0.25	430	310
at 120Hz 20°C						after 5 min.	at 120Hz 85°C

TEST STANDARD      JIS C5101-4      (CATEGORY TEMP. RANGE      -25 ~ +85 °C )

				APPROVED 	NICHICON TYPE No.			
				CHECKED	TVX2W470MDD			
				DESIGNED 	RATE 450V 47 $\mu$ F			
				New release	PIC 齊藤	DATE '12/01/10	CASE SIZE $\phi$ 22 × 40 L	
MARK	DATE	DESCRIPTIONS	PIC	<b>NICHICON CORPORATION</b>			DWG. No. N120110Q2-	
REVISION								