
High Noise Immunity 42 V Input Voltage 70 mA Voltage Tracker Evaluation Board

NO.EEV-513-N001B-200703

R1540N001B-EV is the evaluation board for R1540 which has the below features, benefits and specifications.

OVERVIEW

The R1540N is a voltage tracker featuring input voltage in the range of 3.5 V to 42 V. Highly accurate output voltage which attributes to CE/ADJ pin achieves successful sequence control of the integrated off-board sensor module. Strong enough not to require the circuit to avoid external electromagnetic interference (EMI) and this contributes space saving.

KEY BENEFITS

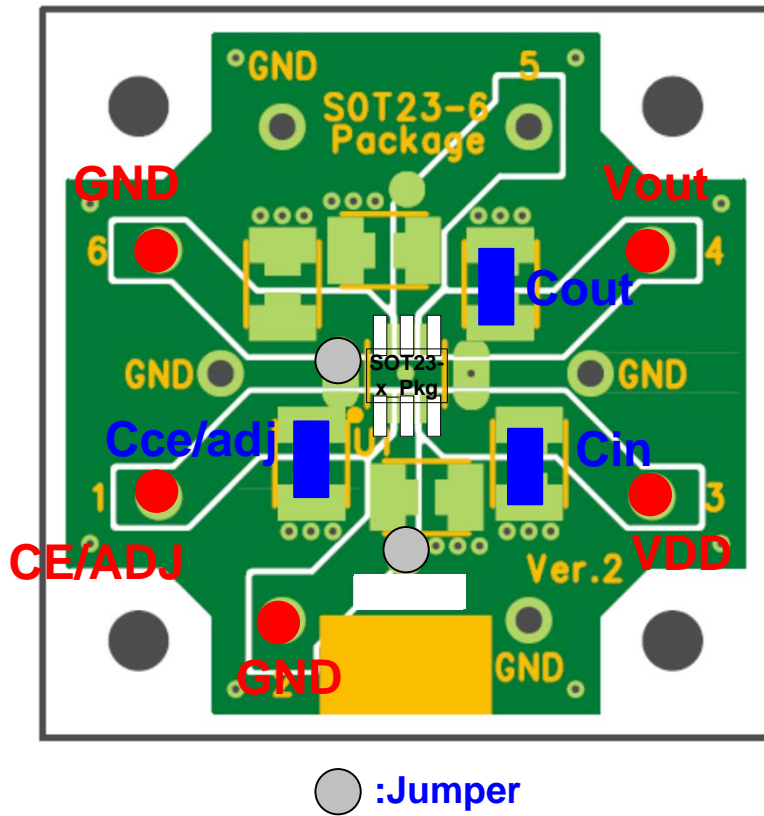
- Excellent noise immunity provides effective shielding against EMI.
- Lower stand-by current consumption leads to energy saving of the whole system to prolong battery life.
- Response to requirements for sequence control in the system with integrated sensors.

KEY SPECIFICATIONS

- Input Voltage Range (Maximum Rating): 3.5 V to 42.0 V (50.0 V)
- Supply Current: Typ. 60 μ A
- Standby Current: Typ. 0.1 μ A
- Tracking Voltage Range: 2.2 V to 14 V
- Tracking Voltage Accuracy: ± 15 mV
($-40^{\circ}\text{C} \leq T_a \leq 105^{\circ}\text{C}$, $V_{\text{CE/ADJ}} = 5$ V)
- Output Current 70 mA
- Ripple Rejection: Typ. 80 dB ($f = 100$ Hz)
- Protections: Thermal Shutdown, Output Current Limiting and Short-circuit Current Limiting
- Package: SOT-23-5
- For more details on R1540 IC, please refer to
<https://www.nisshinbo-microdevices.co.jp/en/pdf/datasheet/r1540-ea.pdf>.

PCB LAYOUT

R1540N (Package: SOT-23-5) PCB Layout



ABSOLUTE MAXIMUM RATINGS

Symbol	Parameter		Rating	Unit
V _{IN}	Input Voltage		-0.3 to 50	V
	Peak Voltage ⁽¹⁾		60	V
V _{CE/ADJ}	CE/ADJ Pin Input Voltage		-0.3 to 50	V
V _{OUT}	V _{OUT} Pin Output Voltage		-0.3 to V _{IN} + 0.3 ≤ 50	V
I _{OUT}	Output Current		95	mA
P _D	Power Dissipation ⁽²⁾ JEDEC STD. 51	SOT-23-5	660	mW
T _j	Junction Temperature Range		-40 to 125	°C
T _{stg}	Storage Temperature Range		-55 to 125	°C

ABSOLUTE MAXIMUM RATINGS

Electronic and mechanical stress momentarily exceeded absolute maximum ratings may cause permanent damage and may degrade the life time and safety for both device and system using the device in the field. The functional operation at or over these absolute maximum ratings are not assured.

RECOMMENDED OPERATING CONDITIONS

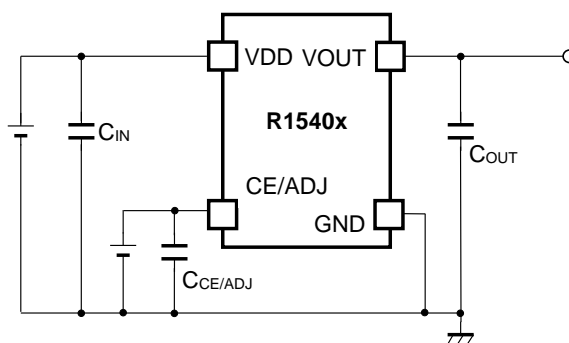
Symbol	Parameter	Rating	Unit
V _{IN}	Input Voltage	3.5 to 42	V
V _{CE/ADJ}	CE/ADJ Input Pin Voltage	0 to 14	V
T _a	Operating Temperature Range	-40 to 105	°C

RECOMMENDED OPERATING CONDITONS

All of electronic equipment should be designed that the mounted semiconductor devices operate within the recommended operating conditions. The semiconductor devices cannot operate normally over the recommended operating conditions, even if they are used over such ratings by momentary electronic noise or surge. And the semiconductor devices may receive serious damage when they continue to operate over the recommended operating conditions.

⁽¹⁾ Duration time: 200 ms.

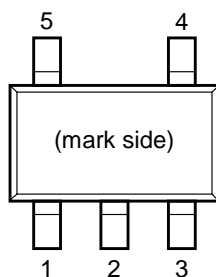
⁽²⁾ Refer to POWER DISSIPATION in the product data sheet.

TYPICAL APPLICATION**R1540N Typical Application****Recommended External Components⁽¹⁾**

Symbol Value	
C _{IN}	0.1 μF
C _{OUT}	10 μF
C _{CE/ADJ}	0.1 μF

⁽¹⁾The bill of materials will be attached on the shipment of each purchased evaluation board.

PIN DESCRIPTION



R1540N (SOT-23-5) Pin Configuration

R1540N Pin Description

Pin No.	Symbol	Description
1	CE/ADJ	Chip Enable and Adjustment Pin (Active - High)
2	GND ⁽¹⁾	Ground Pin
3	VDD	Input Pin
4	VOUT	Output Pin
5	GND ⁽¹⁾	Ground Pin

⁽¹⁾ The GND pins must be wired together on the board.

TECHNICAL NOTES

Phase Compensation

R1540N adopts capacitance and Equivalent Series Resistance (ESR) for phase compensation to ensure stable operation even with load varying current. For this end, the capacitor of 10 μ F or more is essential. A certain amount of ESR may cause unstable output voltage. Fully take temperature and frequency characteristics into consideration when evaluating the circuit. Place the capacitor of 0.1 μ F or more between VDD and GND with using short leads and short printed circuit traces.

PCB Layout

SOT-23-5 package: connect Nos. 2 and 5 of GND pin together.



1. The products and the product specifications described in this document are subject to change or discontinuation of production without notice for reasons such as improvement. Therefore, before deciding to use the products, please refer to our sales representatives for the latest information thereon.
2. The materials in this document may not be copied or otherwise reproduced in whole or in part without prior written consent of our company.
3. Please be sure to take any necessary formalities under relevant laws or regulations before exporting or otherwise taking out of your country the products or the technical information described herein.
4. The technical information described in this document shows typical characteristics of and example application circuits for the products. The release of such information is not to be construed as a warranty of or a grant of license under our company's or any third party's intellectual property rights or any other rights.
5. The products listed in this document are intended and designed for use as general electronic components in standard applications (office equipment, telecommunication equipment, measuring instruments, consumer electronic products, amusement equipment etc.). Those customers intending to use a product in an application requiring extreme quality and reliability, for example, in a highly specific application where the failure or misoperation of the product could result in human injury or death (aircraft, spacevehicle, nuclear reactor control system, traffic control system, automotive and transportation equipment, combustion equipment, safety devices, life support system etc.) should first contact us.
6. We are making our continuous effort to improve the quality and reliability of our products, but semiconductor products are likely to fail with certain probability. In order to prevent any injury to persons or damages to property resulting from such failure, customers should be careful enough to incorporate safety measures in their design, such as redundancy feature, fire containment feature and fail-safe feature. We do not assume any liability or responsibility for any loss or damage arising from misuse or inappropriate use of the products.
7. Anti-radiation design is not implemented in the products described in this document.
8. The X-ray exposure can influence functions and characteristics of the products. Confirm the product functions and characteristics in the evaluation stage.
9. WLCSP products should be used in light shielded environments. The light exposure can influence functions and characteristics of the products under operation or storage.
10. There can be variation in the marking when different AOI (Automated Optical Inspection) equipment is used. In the case of recognizing the marking characteristic with AOI, please contact our sales or our distributor before attempting to use AOI.
11. Please contact our sales representatives should you have any questions or comments concerning the products or the technical information.



Nisshinbo Micro Devices Inc.

Official website

<https://www.nisshinbo-microdevices.co.jp/en/>

Purchase information

<https://www.nisshinbo-microdevices.co.jp/en/buy/>

