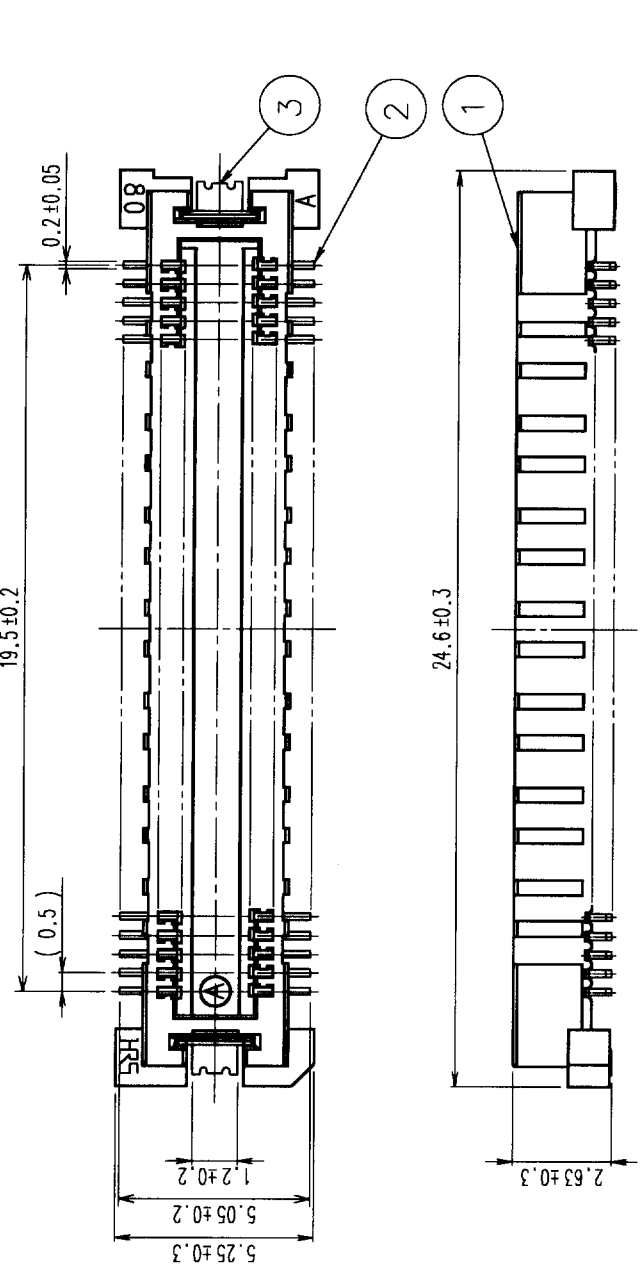
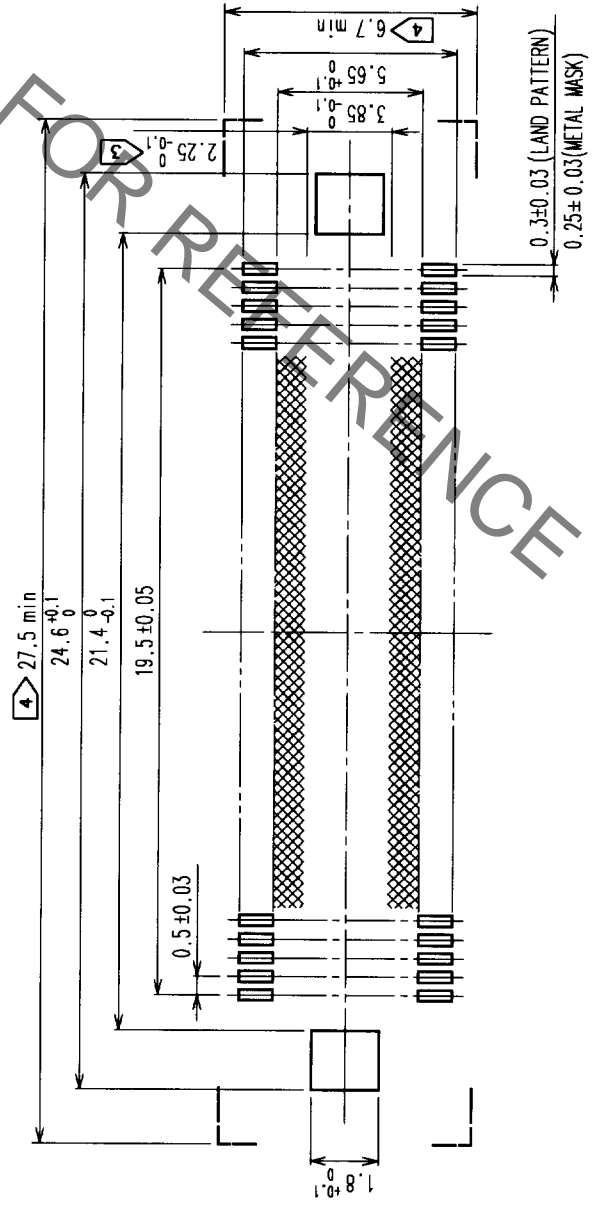


A B C D E F

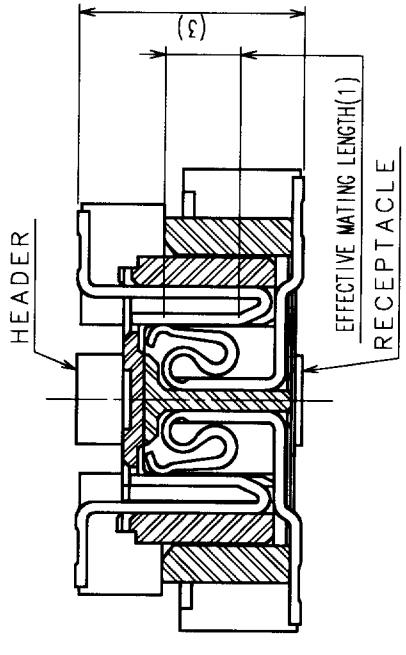
5	6	7	8						
COUNT	DESCRIPTION OF REVISIONS	BY	CHKD	DATE	COUNT	DESCRIPTION OF REVISIONS	BY	CHKD	DATE
△					△				
△					△				
△					△				



RECOMMENDED LAND PATTERN DIMENSION OF PCB



SIGNAL PORTION CROSS SECTION (10 : 1)



HRS DRAWING FOR REFERENCE

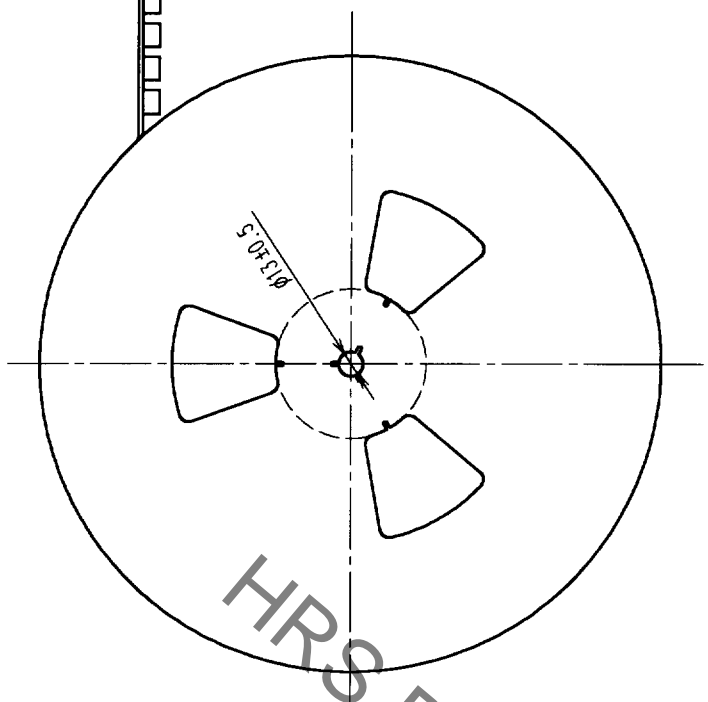
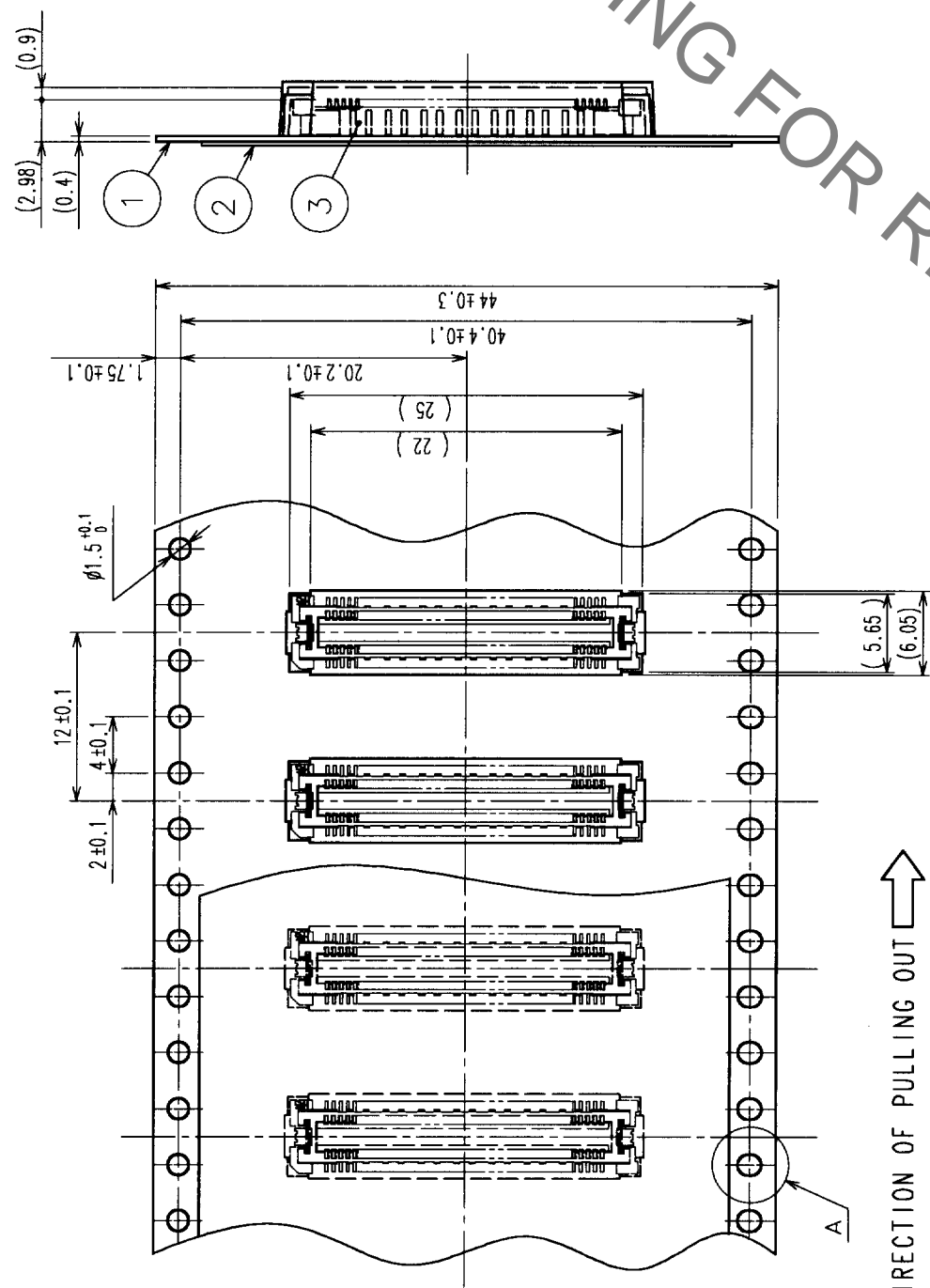
- NOTES
- 1 SMT LEAD-COPLANARITY: 0.1 MAX.
 - 2 THIS PRODUCT HAS NO POLARITY TO PATTERN FOR MOUNTING.
 - 3 MAKE SURE WIDTH OF PATTERN IS WITHIN THAT OF LAND, OR LEAD MAY TOUCH PATTERN. (THIS APPLIES TO HATCHED AREA.)
 - 4 DO NOT MOUNT OTHER DEVICES ONTO [] AREA, OR MATING PAIR CANNOT BE MATED.
 - 5 TO BE EMBOSSED CARRIER TAPED AS SPECIFIED IN SHEET 2.

2	COPPER ALLOY	CONTACT AREA: GOLD (0.1μm) OVER NICKEL
1	LCP	LEAD: GOLD FLASH OVER NICKEL
NO.	MATERIAL	BEIGE UL94V-0
CODE NO. (OLD)	FINISH, REMARKS	3
CL		PHOSPHOR BRONZE TIN PLATED
		NO. MATERIAL FINISH, REMARKS
		DESIGNED CHECKED APPROVED RELEASED
		<i>H. Takahashi</i> <i>H. Takahashi</i> <i>J. Yoshimura</i>
		20.06.20 20.06.20 20.06.23
		PART NO. FX11B-80P-SVO.5(21)
		DRAWING NO. EDC3-152631-01
		SCALE 5 : 1
		UNITS mm
		CODE NO. CL573-0658-9-21
		FORM NO. 229

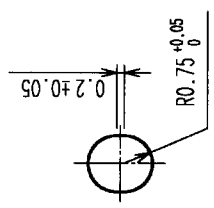
TO	
PCK	

COUNT	DESCRIPTION OF REVISIONS	BY	CHKD	DATE	COUNT	DESCRIPTION OF REVISIONS	BY	CHKD	DATE
1					1				
2					2				
3					3				

REELED DIMENSION (FREE)



A (5 : 1)



- NOTES
- 1 REEL: 1000 CONNECTORS.
 - 2 MINIMUM 10 COMPARTMENTS FROM BOTH REEL ENDS REMAIN EMPTY.
 - 3 THIS PRODUCT HAS NO POLARITY TO TAPE AND REEL PACKAGING.

2	PET	TOP COVER TAPE	3	(CONNECTOR)	FINISH, REMARKS	MATERIAL	FINISH, REMARKS
1	PS	EMBOSSED CARRIER TAPE	3				
NO.	MATERIAL	FINISH, REMARKS	NO.	MATERIAL	FINISH, REMARKS	FINISH, REMARKS	FINISH, REMARKS
CODE NO. (OLD)	CL		DRAWN	DESIGNED	CHECKED	APPROVED	RELEASED
			<i>J. Matsubara</i>	<i>H. Ikawa</i>	<i>H. Ikawa</i>	<i>J. Yoshimura</i>	
			00.06.20	00.06.20	00.06.21	00.06.23	
DRAWING NO.		PART NO.		FINISH, REMARKS			
EDC3-152631-01		FX11B-80P-SV0.5(21)					
SCALE		UNITS		CODE NO.			
2 : 1		MM		CL573-0658-9-21			
HRS		HIROSE ELECTRIC CO., LTD.		FORM NO. 229			

TO	
PCK	