

SUMMARY



Image is for illustrative purpose only

Wires

High voltage 8

Series 5S
Termination type Male solder High-Voltage
IP rating 50
AWG wire size 0.00 - 0.00
Cable Ø 7.10 - 8.00 mm
Status active
Matching parts [ERA.5S.438.CLL](#)

Download

[Request a quote](#)
[Catalog](#)

TECHNICAL DETAILS

Mechanics

Shell Style/Model FFA*: Straight plug, cable collet
Keying Hermaphroditic keying (half moon insert) with male pin 1
Housing Material Brass (chrome plated [SAE AMS 2460]) shell and collet nut, nickel plated [SAE AMS QQ N 290] brass latch sleeve and mid pieces
Weight 356.01 g

Performance

Configuration 5S.438 : 8 High Voltage
Insulator L: PEEK (UL 94 / V-0/1.5)
Rated Current

Specifications

Contact Type: Solder
Working voltage HV contact - Us (kV rms) 2.1
Test voltage LV Ue (kV rms) -

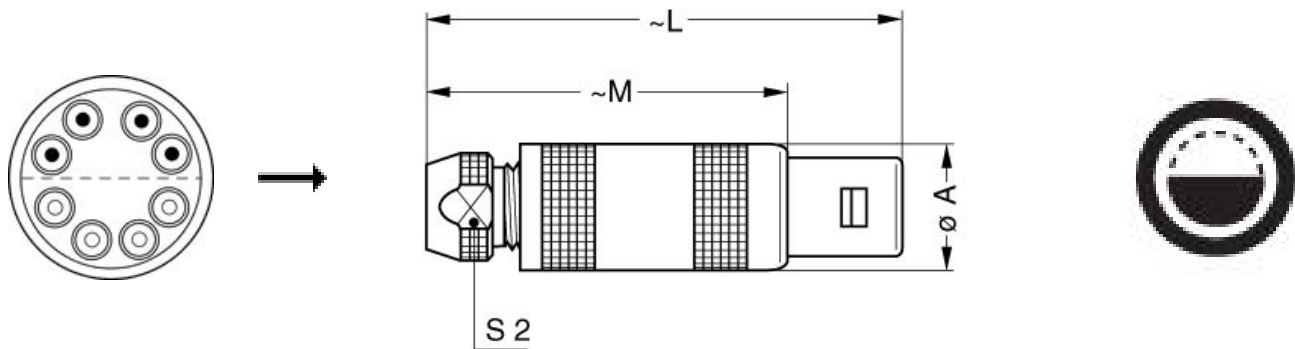
Others

Endurance (Shell): 5000 mating cycles
Temp (min / max): -55° C / +250° C

LEMO products and services are provided "as is". LEMO makes no warranties or representations with regard to LEMO product & services or use of them, express, implied or statutory, including for accuracy, completeness, or security. The user is fully responsible for his products and applications using LEMO components.

Humidity (max): <=95% [at 60 deg C /140 F]
 Vibration: 15 g [10 Hz - 2000 Hz]
 Shock Resistance: 100 g [6 ms]
 Climatical Category: 50/175/21
 Shielding (min): 75 dB (10 MHz)
 Shielding (min): 40 dB (1 GHz)
 Salt Spray Corrosion: >144 hr

DRAWINGS



Dimensions

	A	L	M	S2
mm.	35	103	78	29
in.	1,38	4,06	3,07	1,14

RECOMMENDED BY LEMO

Tools

Caps: [BFA.5S.100.NAS](#)

LEMO products and services are provided "as is". LEMO makes no warranties or representations with regard to LEMO product & services or use of them, express, implied or statutory, including for accuracy, completeness, or security. The user is fully responsible for his products and applications using LEMO components.