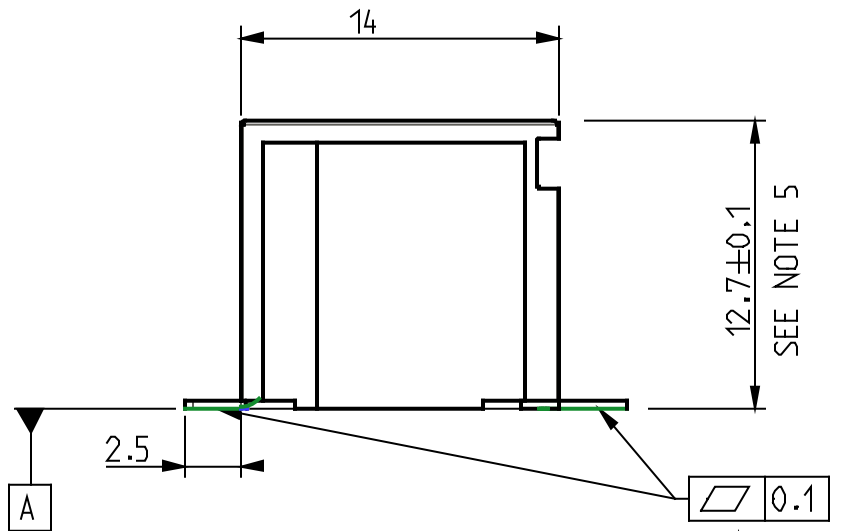
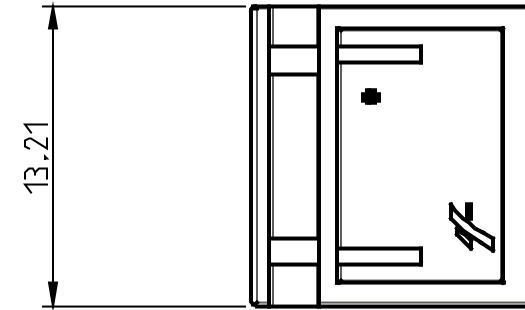
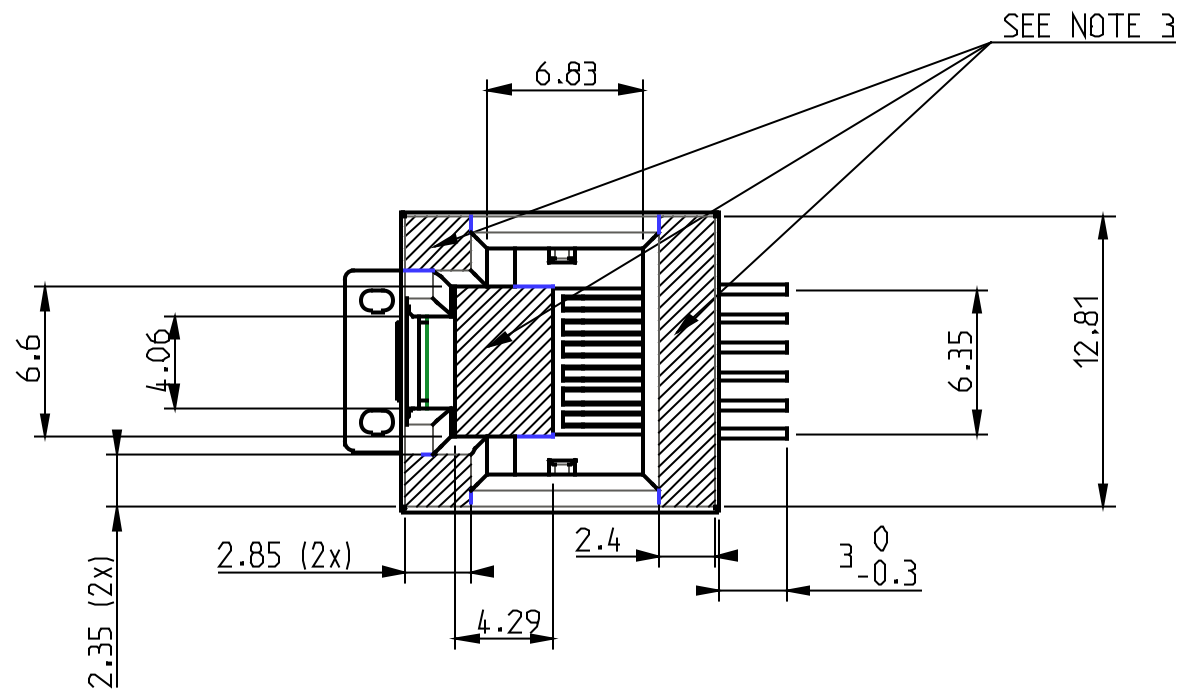
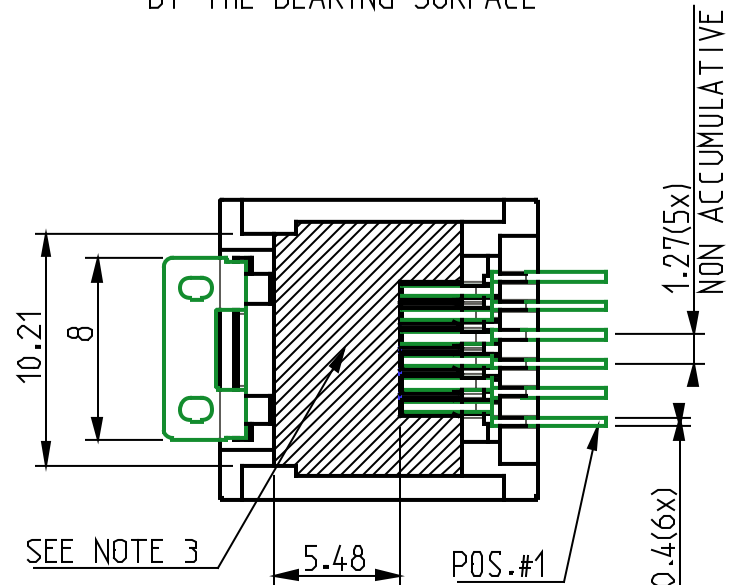


PRODUCT N°
SEE TABLE



REFERENCE PLAN DEFINED BY THE BEARING SURFACE



rev	ecn no	dr	date
M	F06-0152	DLE	06.03.20
N	F06-0242	DLE	06.07.20
-	-	-	-
-	-	-	-
-	-	-	-
-	-	-	-

www.fciconnect.com		surface - ✓ ISO 1302	tolerance std ±0.13 ±2°	projection ⊕	mm
		TOLERANCES UNLESS OTHERWISE SPECIFIED		size A3	Scale 3:1
Dr	D LEGRAND	02.09.16	ANGULAR	LINEAR	
Eng	P NIZZI	02.09.16	α° ±γ°	D.X ±Y o.xx ±y a.xxx ±y	ECN F06-0242
Chr	D LEGRAND	02.09.16	Product family	MODULAR JACK	Spec ref -
Appr	P NIZZI	02.09.16			
VERTICAL SMT 6 POSITIONS KEYED		catalog no 98433-XXX(LF)		dwg no 98433	Rev. N
				CUSTOMER	sheet 1 of 2



PRODUCT N°
98433-XXXLF

CONTACT PLATING OPTION
1= GXT 0.76 μm
3= 0.76 μm GOLD
5= 1.27 μm GOLD

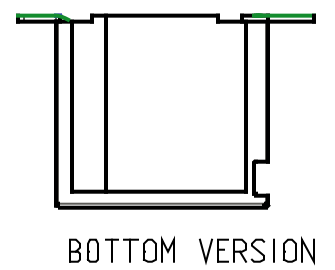
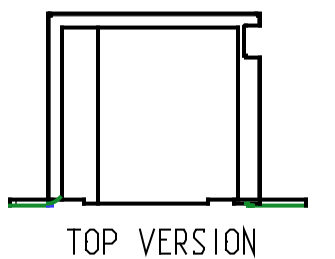
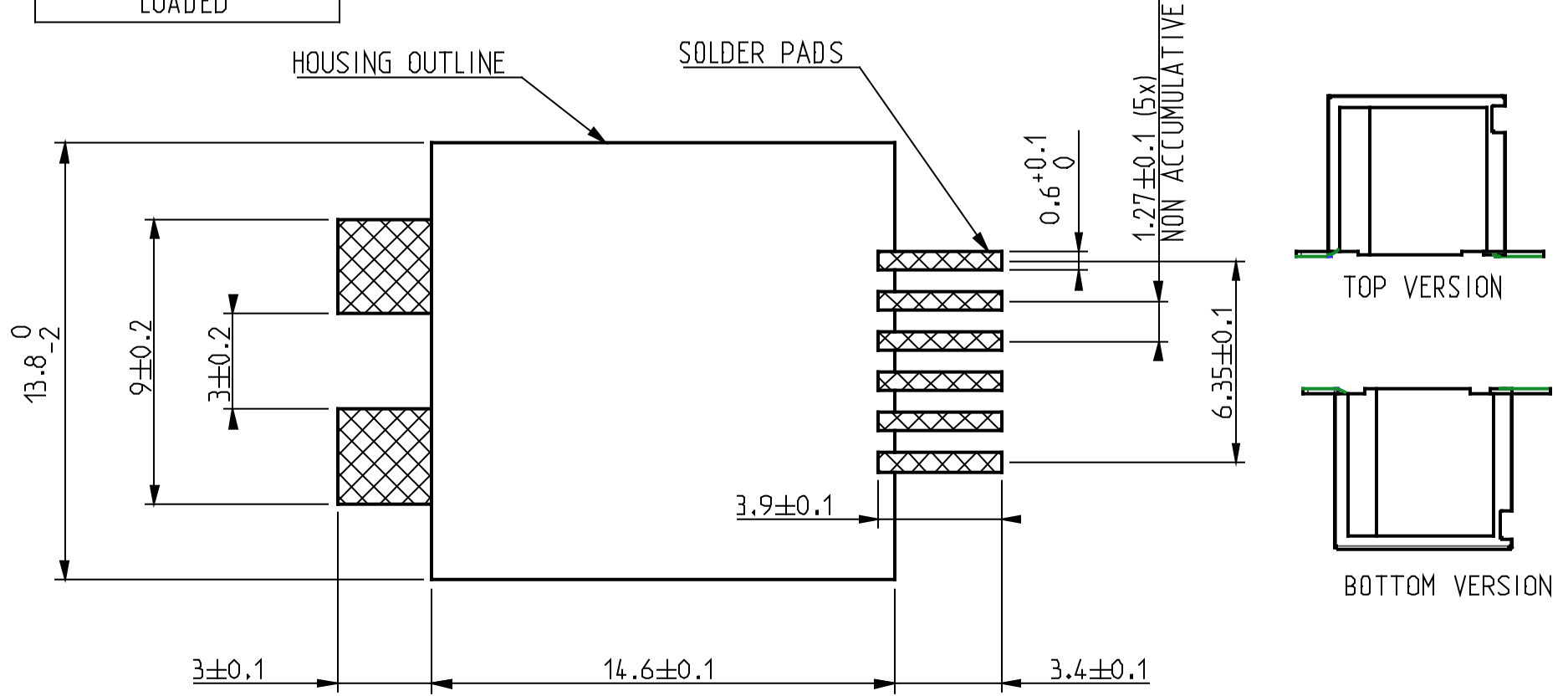
PACKAGE OPTIONS
TAPE AND REEL PACKAGE 1= LOADED FACE UP
TAPE AND REEL PACKAGE 2= LOADED FACE DOWN

VERSION
TOP (RED)
BOTTOM (RED)

TERMINAL LOADING OPTIONS
1= FULLY LOADED 6 POSITIONS
2= ONLY POS 2,3,4,5 LOADED
3= ONLY POS 1,2,5,6 LOADED

WHEN NEEDED, SUFFIX LETTER "LF" INDICATES THE PRODUCT IS RoHS COMPATIBLE SEE NOTE 7.

- NOTES:
- 1 - MATERIAL:
HOUSING: HIGH TEMP. PLASTIC, COLOR RED
TERMINAL PHOSPHOR BRONZE
 - 2 - PLATING
CONTACT AREA: OPTIONAL SEE TABLE
SOLDER TAIL: SnPb 90/10 2 μm MIN
NO RAW EDGES EXCEPT SOLDER TAILS TIPS
 - 3 - AREA FOR VACUUM PICK AND PLACE VENTURY
 - 4 - PACKAGING SPECIFICATION SEE TA 858
 - 5 - DIMENSION MEASURED FROM "A" TO THE TOP OF PRODUCT
 - 6 - COPLANARITY SEE TA 861.
 - 7 - RoHS COMPATIBLE PRODUCT SPECIFICATIONS
 - a - PLATING:
- "LF" MEANS THE PRODUCT IS LEAD-FREE,
2 μm MINIMUM MATTE TIN OVER 1.27 μm
MINIMUM NICKEL UNDERPLATE.
 - b - MANUFACTURING PROCESS COMPATIBILITY:
- THE HOUSING WILL WITHSTAND EXPOSURE TO
245 °C PEAK TEMPERATURE FOR 30 SECONDS
MAX IN A CONVECTION, INFRA-RED OR VAPOR
PHASE OR REFLOW OVEN.
 - c - LABELLING:
- MEETS PACKAGING SPECS AS PER GS-14-920.
 - d - LEGAL STATEMENT: SEE GS-22-008



RECOMMENDED PCB FOOTPRINT

www.fciconnect.com			surface - ✓ ISO 1302	tolerance std ±0.13 ±2°	projection ⊕	mm ↔
			TOLERANCES UNLESS OTHERWISE SPECIFIED			
Dr	D LEGRAND	02.09.16	ANGULAR	LINEAR	D.X	±Y
Eng	P NIZZI	02.09.16			o.XX	±Y
Chr	D LEGRAND	02.09.16	α°	±Y°	o.XXX	±Y
Appr	P NIZZI	02.09.16	Product family		MODULAR JACK	Spec ref -
VERTICAL SMT 6 POSITIONS KEYED			dwg no		98433	
catalog no			98433-XXX(LF)		CUSTOMER	sheet 2 of 2

Copyright FCI.