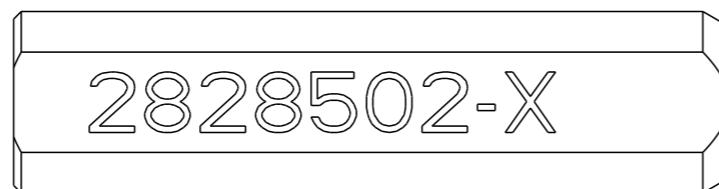
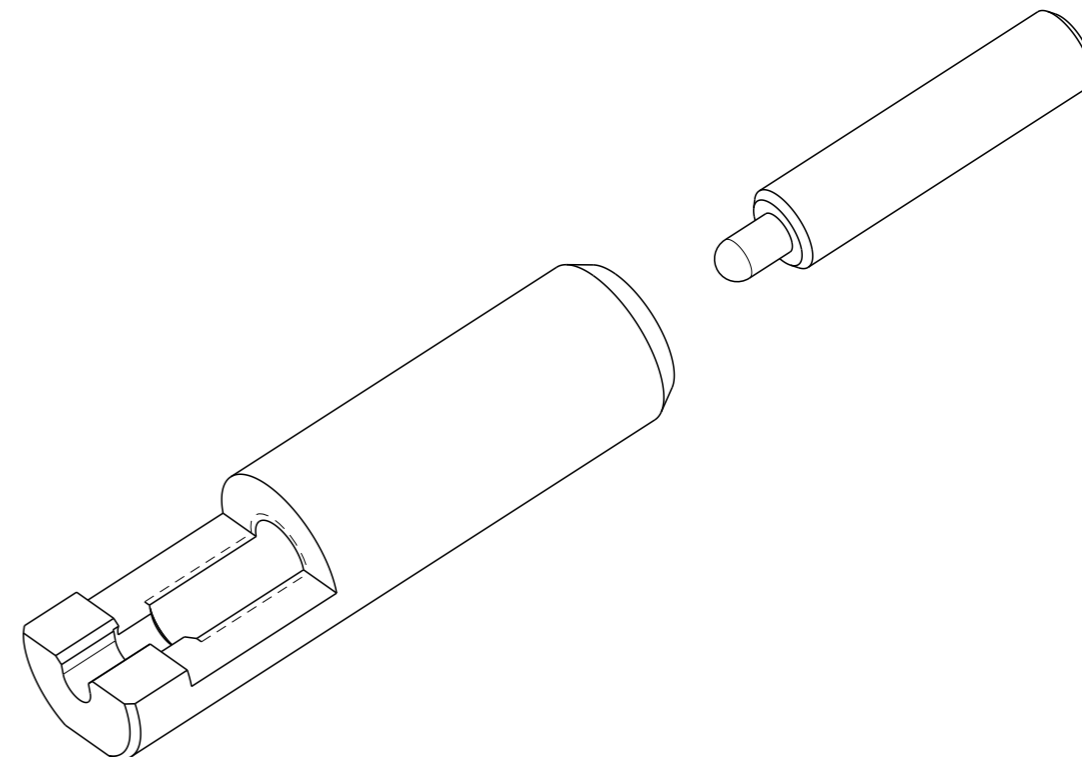
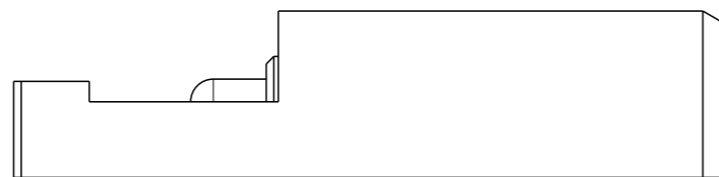
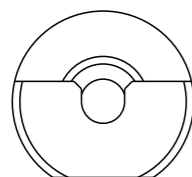




REVISIONS

P	LTR	DESCRIPTION	DATE	DWN	APVD
	A	RELEASED	11FEB2020	TS	SM

	COLOR	TERMINUS
2828502-2	RED	PIN
2828502-1	BLACK	SOCKET



THIS DRAWING IS A CONTROLLED DOCUMENT.		DWN T. SIPE 11FEB20	 TE Connectivity		
DIMENSIONS: mm		CHK S. MILLER 11FEB20			NAME CURE FIXTURE, SIZE 16 EB
		APVD S. MILLER 11FEB20			
TOLERANCES UNLESS OTHERWISE SPECIFIED:		PRODUCT SPEC -	APPLICATION SPEC -	RESTRICTED TO	
0 PLC ±- 1 PLC ±- 2 PLC ±0.13 3 PLC ±0.013 4 PLC ±- ANGLES ±1		WEIGHT -	SIZE A3	CAGE CODE 00779	
MATERIAL -	FINISH -	CUSTOMER DRAWING	DRAWING NO C-2828502	SCALE 2:1	
finish_spec_2		SHEET 1 OF 1		REV A	