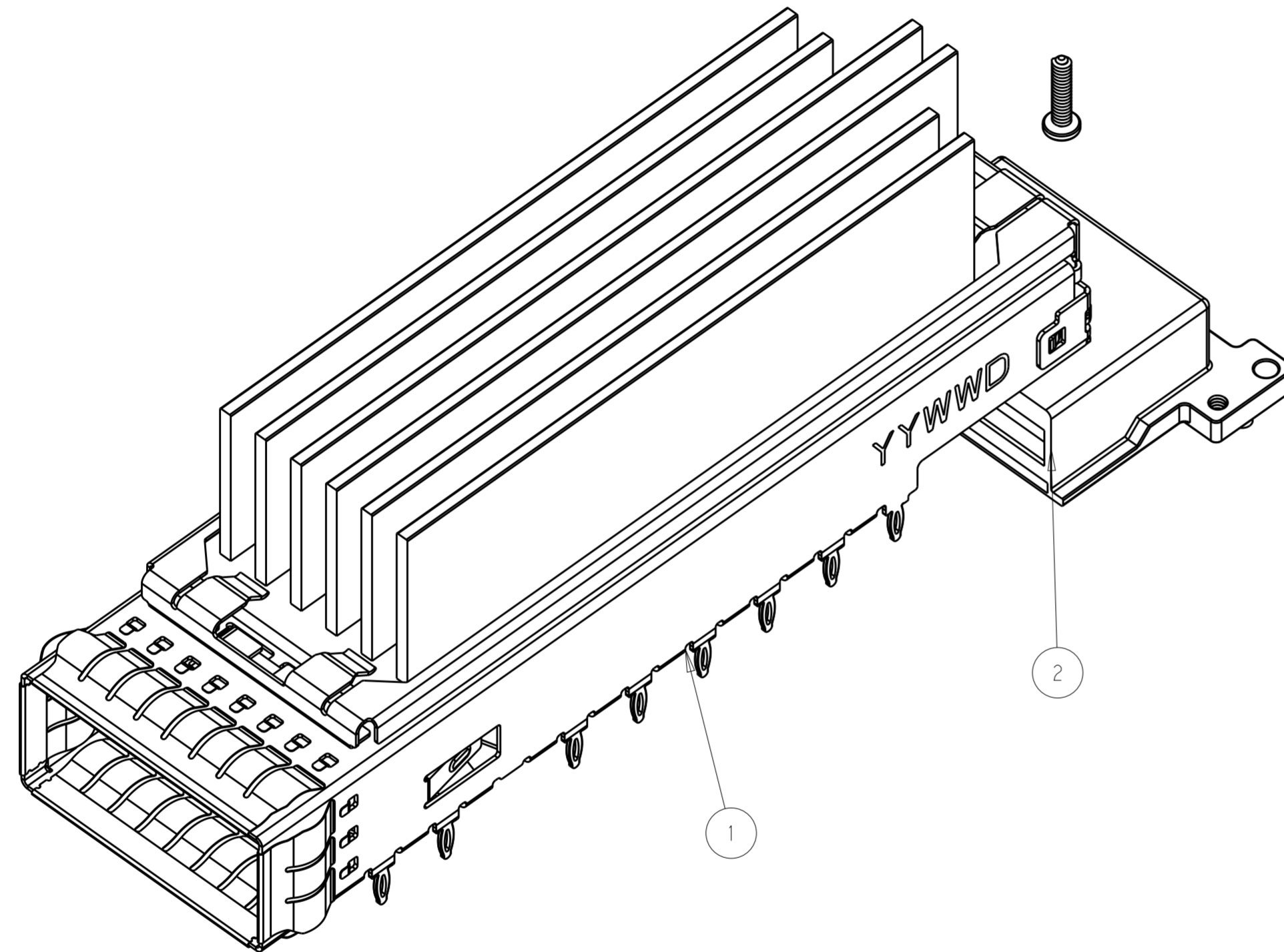


THIS DRAWING IS UNPUBLISHED. RELEASED FOR PUBLICATION 20
 © COPYRIGHT 20 BY - ALL RIGHTS RESERVED.

REVISIONS					
P	LTR	DESCRIPTION	DATE	DWN	APVD
1		PRELIMINARY DRAWING	16JUN2015	AD	SH
2		REVISE BOM	25JUN2015	AD	SH
3		REVISE HEAT SINK	10JULY2015	AD	SH



1. MATERIAL : CAGE : 0.3MM THICK NICKEL SILVER ALLOY;
 EMI SPRING: COPPER ALLOY;
 HEAT SINK CLIP: STAINLESS STEEL;
 HEAT SINK: ALUMINUM ALLOY;
 RECEPTACLE COVER: ZINC ALLOY;

2. FINISH: EMI SPRING -1.27um NICKEL PLATING OVER ALL;
 HEAT SINK: BLACK ANODIZED COATING;
 RECEPTACLE COVER: 1.27um MIN NICKEL PLATING OVER COPPER PLATING;
 HEAT SINK CLIP: PASSIVATE;

3. MATES WITH CFP MSA COMPLIANT TRANSCEIVERS.

4. DATUM AND BASIC DIMENSION ESTABLISHED BY CUSTOMER.

5. MINIMUM PC BOARD THICKNESS: SINGLE SIDE APPLICATIONS=2.99±0.63mm.

6. PADS AND VIAS CHASSIS GROUND;

7. REFERENCE APPLICATION SPEC 114-XXXX, HOLE A, FOR RECOMMENDED DRILL HOLE DIAMETER AND PLATING THICKNESS.

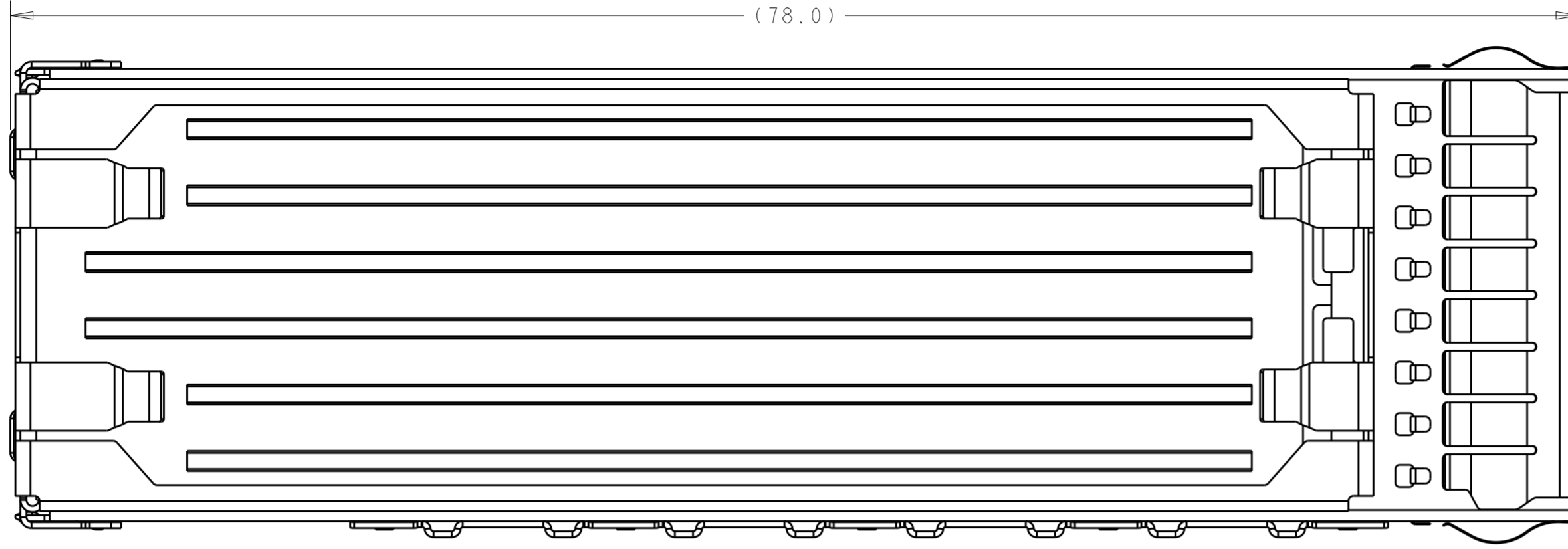
THIS PRINT IS
PRELIMINARY
 UNQUALIFIED PRODUCT
 CONTACT PRODUCT ENGINEERING
 BEFORE USING THIS PRINT

2	2292789-1	SCREW	3
1	2288228-1	RECEPTACLE COVER ASSEMBLY	2
1	2293289-3	CAGE ASSEMBLY WITH HS, CFP4 1X1	1
-1	PAR NUMBER	DESCRIPTION	ITEM

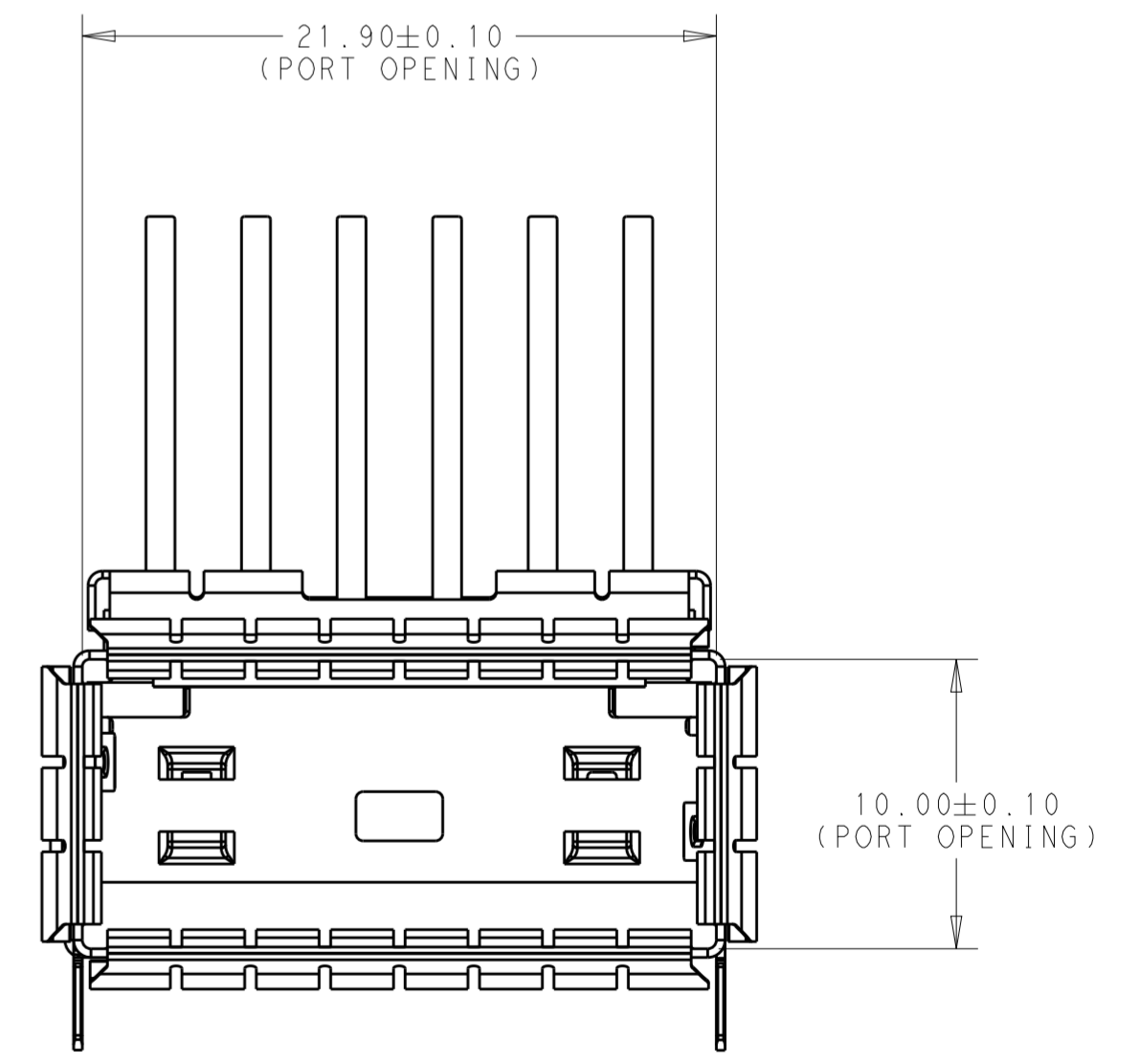
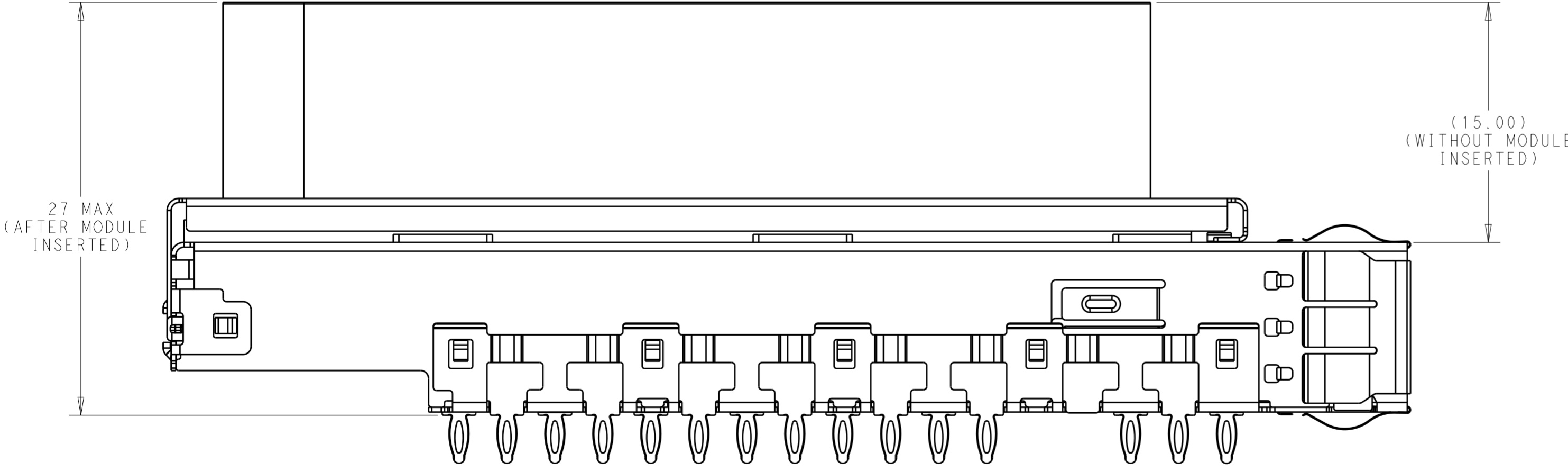
THIS DRAWING IS A CONTROLLED DOCUMENT.		DWN ANDY.XIE 16JUN2015	TE Connectivity	
		CHK SEAN.HAN 16JUN2015		
		APVD SEAN.HAN 16JUN2015		
		PRODUCT SPEC		
DIMENSIONS: mm		APPLICATION SPEC		NAME HARD WARE KIT FOR CFP4 1X1 PRESS FIT (CAGE, HS, HS CLIP, COVER, SCREW)
TOLERANCES UNLESS OTHERWISE SPECIFIED: 0 PLC ± 1 PLC ±0.25 2 PLC ±0.13 3 PLC ±0.10 4 PLC ± ANGLES ± FINISH		WEIGHT		SIZE A2
MATERIAL		Customer Drawing		CAGE CODE C2294014
		SCALE 4:1		RESTRICTED TO
		SHEET 1 OF 6		REV 3

THIS DRAWING IS UNPUBLISHED. RELEASED FOR PUBLICATION 20
 © COPYRIGHT 20 BY - ALL RIGHTS RESERVED.

REVISIONS				
P	LTR	DESCRIPTION	DATE	APVD
-		SEE SHEET 1	-	-



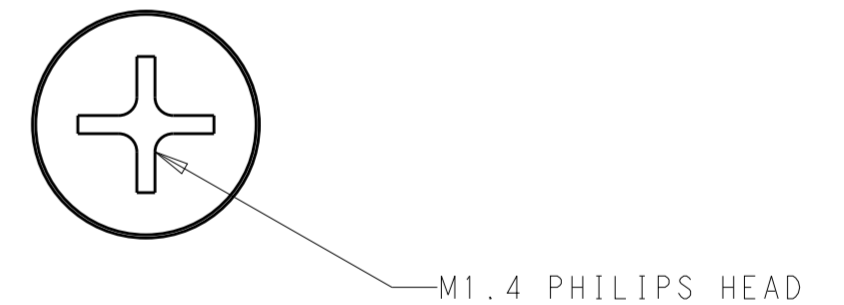
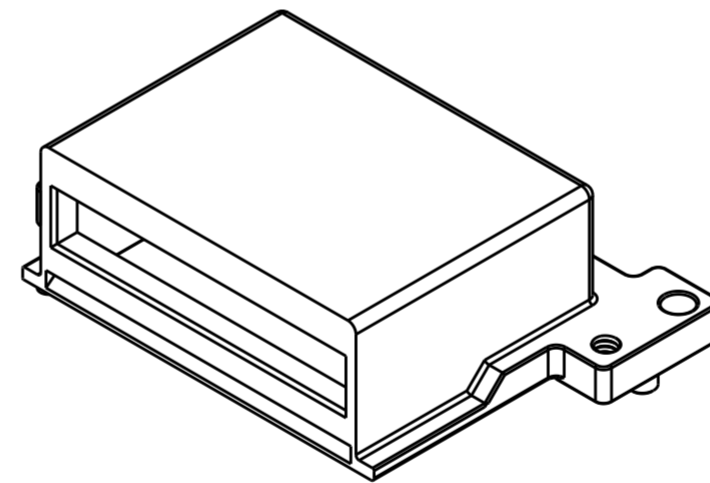
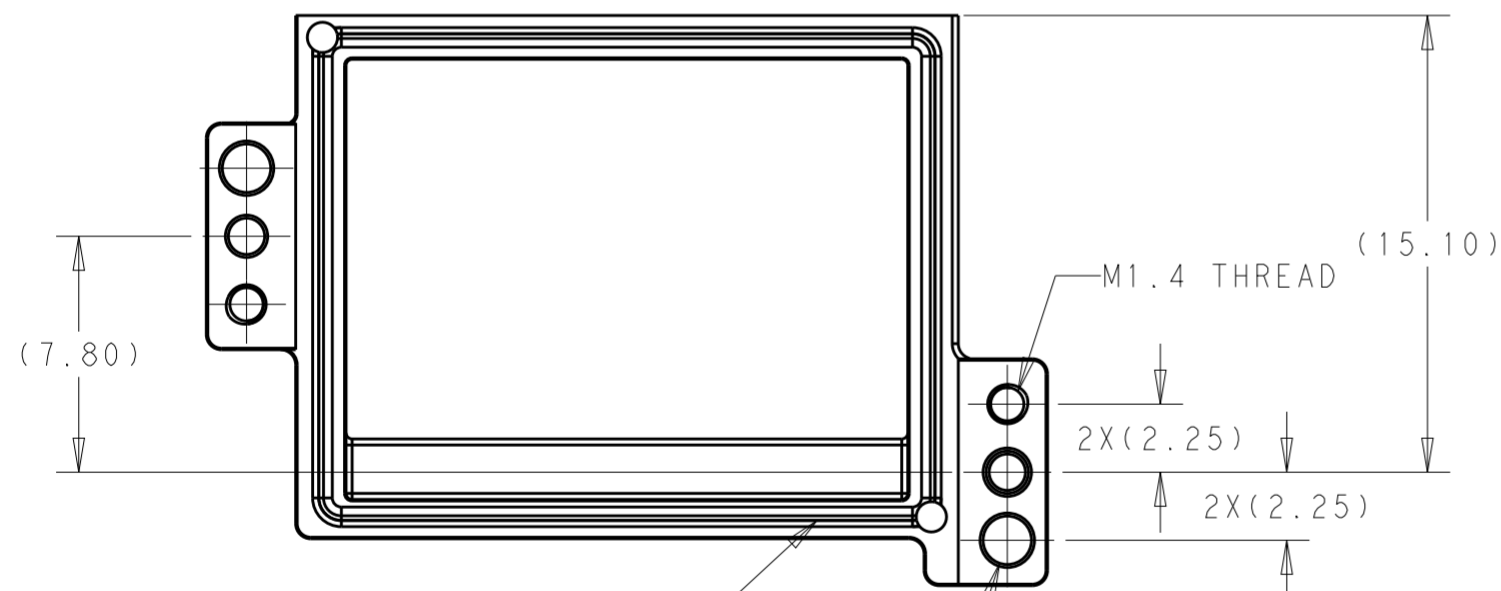
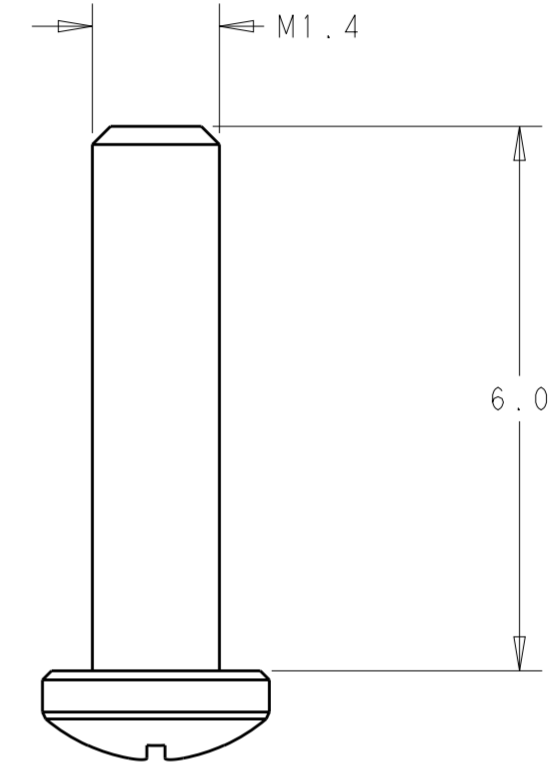
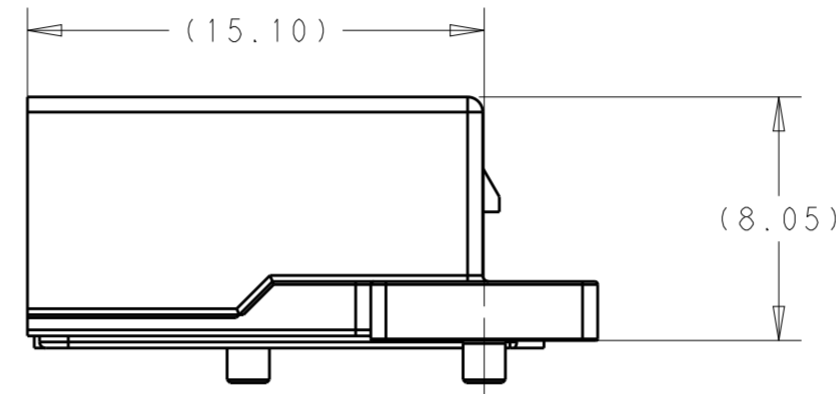
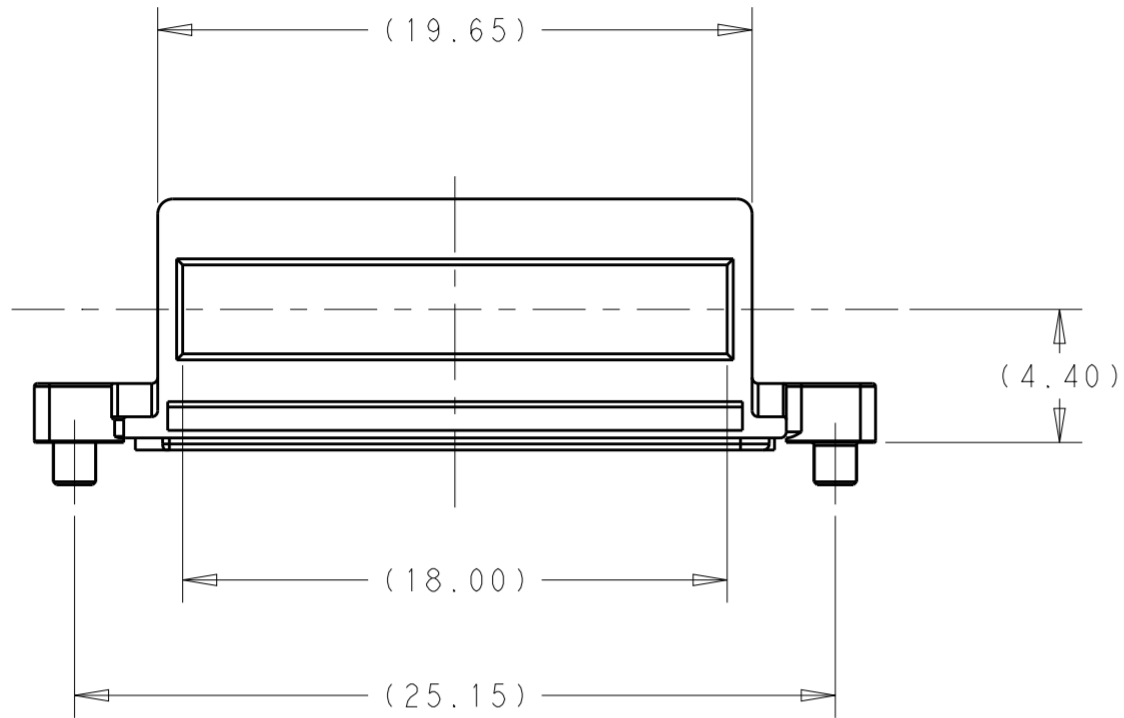
THIS PRINT IS
PRELIMINARY
 UNQUALIFIED PRODUCT
 CONTACT PRODUCT ENGINEERING
 BEFORE USING THIS PRINT



THIS DRAWING IS A CONTROLLED DOCUMENT.		DWN ANDY.XIE 16 JUN 2015	STE TE Connectivity	
		CHK SEAN.HAN 16 JUN 2015		
		APVD SEAN.HAN 16 JUN 2015	NAME HARD WARE KIT FOR CFP4 1X1	
DIMENSIONS:		PRODUCT SPEC		
mm		APPLICATION SPEC		
TOLERANCES UNLESS OTHERWISE SPECIFIED:		WEIGHT		
0 PLC	±	SCALE 4:1		
1 PLC	±0.25	SHEET 2 OF 6		
2 PLC	±0.13	REV 3		
3 PLC	±0.1			
4 PLC	±			
ANGLES	±			
FINISH	±			
MATERIAL	-	Customer Drawing		
	-	DRAWING NO C-C2294014		
	-	RESTRICTED TO		

THIS DRAWING IS UNPUBLISHED. RELEASED FOR PUBLICATION 20
 © COPYRIGHT 20 BY - ALL RIGHTS RESERVED.

REVISIONS				
P	LTR	DESCRIPTION	DATE	APVD
-	-	SEE SHEET 1	-	-



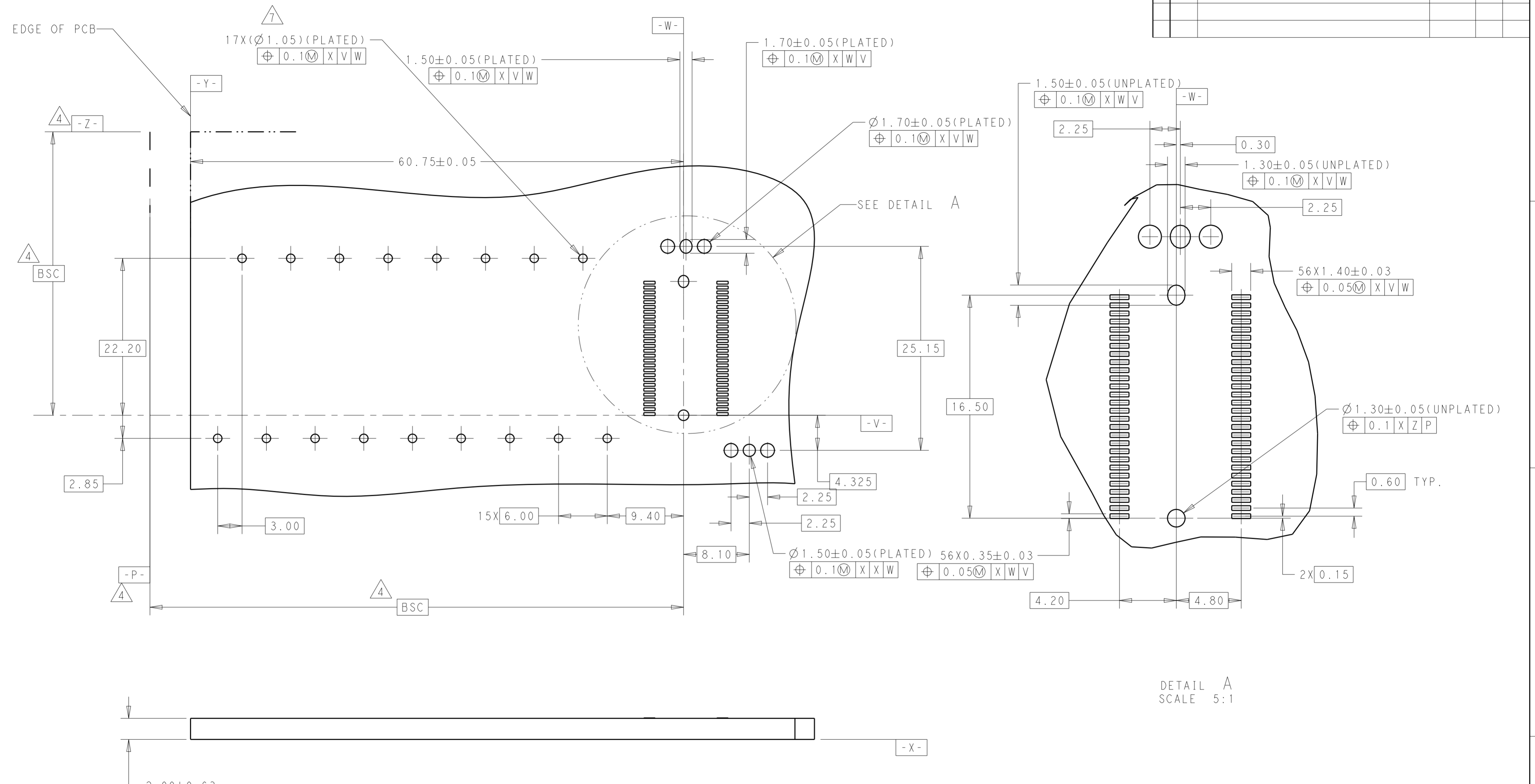
EMI GASKET 2XØ1.60±0.08

THIS PRINT IS
PRELIMINARY
 UNQUALIFIED PRODUCT
 CONTACT PRODUCT ENGINEERING
 BEFORE USING THIS PRINT

THIS DRAWING IS A CONTROLLED DOCUMENT.		DWN ANDY.XIE 16 JUN 2015	TE Connectivity																													
DIMENSIONS:		CHK SEAN.HAN 16 JUN 2015																														
mm	TOLERANCES UNLESS OTHERWISE SPECIFIED:	APVD SEAN.HAN 16 JUN 2015	NAME HARD WARE KIT FOR CFP4 1X1																													
<table border="1"> <tr> <td>0 PLC</td> <td>±</td> <td></td> </tr> <tr> <td>1 PLC</td> <td>±0.25</td> <td></td> </tr> <tr> <td>2 PLC</td> <td>±0.13</td> <td></td> </tr> <tr> <td>3 PLC</td> <td>±0.10</td> <td></td> </tr> <tr> <td>4 PLC</td> <td>±</td> <td></td> </tr> <tr> <td>ANGLES</td> <td>±</td> <td></td> </tr> <tr> <td>FINISH</td> <td></td> <td></td> </tr> </table>	0 PLC	±		1 PLC	±0.25		2 PLC	±0.13		3 PLC	±0.10		4 PLC	±		ANGLES	±		FINISH			<table border="1"> <tr> <td>PRODUCT SPEC</td> <td>-</td> </tr> <tr> <td>APPLICATION SPEC</td> <td>-</td> </tr> <tr> <td>WEIGHT</td> <td>-</td> </tr> </table>	PRODUCT SPEC	-	APPLICATION SPEC	-	WEIGHT	-	SIZE A2	CAGE CODE -	DRAWING NO. C-2294014	RESTRICTED TO -
0 PLC	±																															
1 PLC	±0.25																															
2 PLC	±0.13																															
3 PLC	±0.10																															
4 PLC	±																															
ANGLES	±																															
FINISH																																
PRODUCT SPEC	-																															
APPLICATION SPEC	-																															
WEIGHT	-																															
MATERIAL -		Customer Drawing	SCALE 4:1	SHEET 3 OF 6	REV 3																											

THIS DRAWING IS UNPUBLISHED. RELEASED FOR PUBLICATION 20
 © COPYRIGHT 20 BY - ALL RIGHTS RESERVED.

REVISIONS				
P	LTR	DESCRIPTION	DATE	APVD
-	-	SEE SHEET 1	-	-

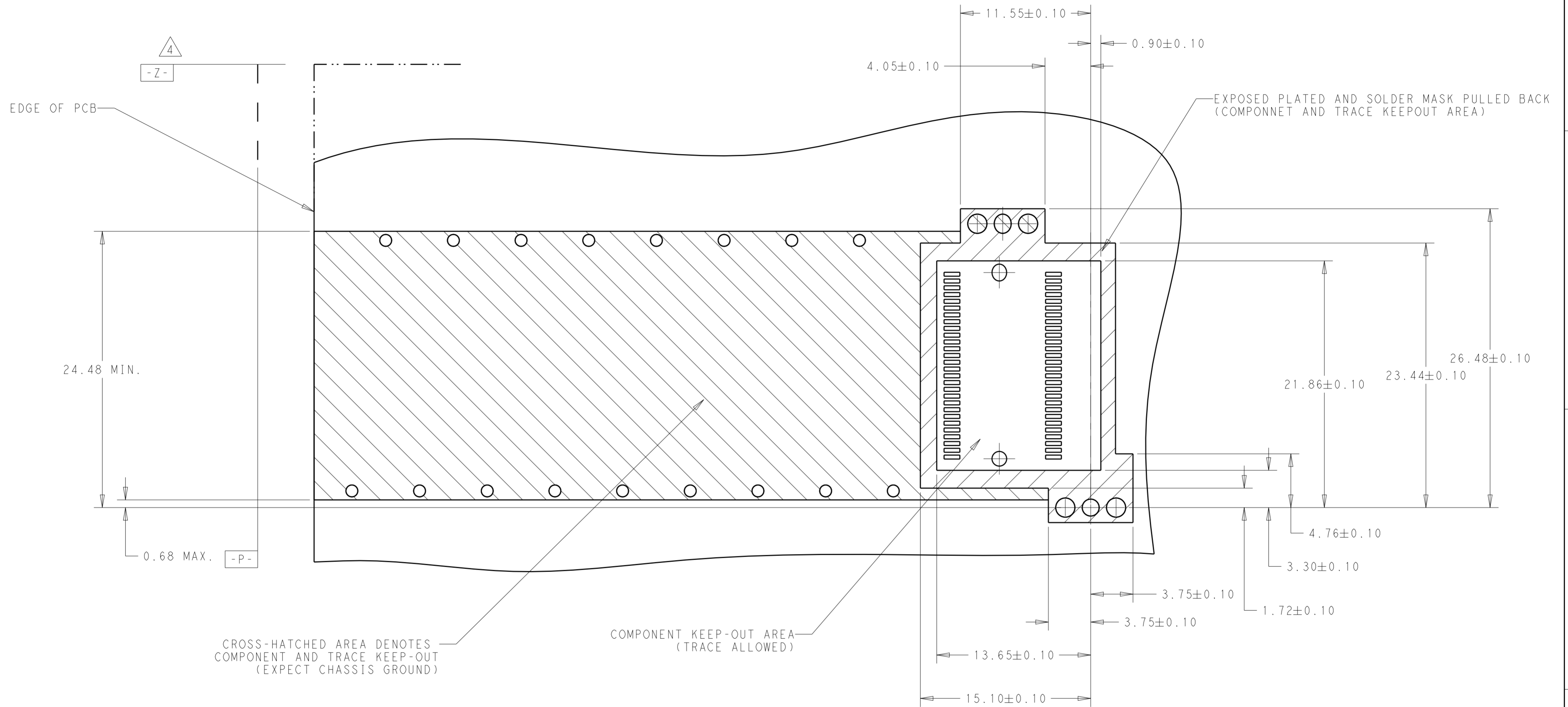


THIS PRINT IS
PRELIMINARY
 UNQUALIFIED PRODUCT
 CONTACT PRODUCT ENGINEERING
 BEFORE USING THIS PRINT

THIS DRAWING IS A CONTROLLED DOCUMENT.		DWN ANDY.XIE 16 JUN 2015	TE Connectivity	
		CHK SEAN.HAN 16 JUN 2015		
		APVD SEAN.HAN 16 JUN 2015	NAME HARD WARE KIT FOR CFP4 1X1	
DIMENSIONS: mm		PRODUCT SPEC	SIZE A2	CAGE CODE -
TOLERANCES UNLESS OTHERWISE SPECIFIED: 0 PLC \pm 1 PLC ± 0.25 2 PLC ± 0.13 3 PLC ± 0.10 4 PLC \pm ANGLES \pm FINISH -		APPLICATION SPEC	DRAWING NO. C-2294014	RESTRICTED TO -
MATERIAL -		WEIGHT -	SCALE 4:1	SHEET 4 OF 6
		Customer Drawing	REV 3	

THIS DRAWING IS UNPUBLISHED. RELEASED FOR PUBLICATION 20
 © COPYRIGHT 20 BY - ALL RIGHTS RESERVED.

REVISIONS				
P	LTR	DESCRIPTION	DATE	APVD
-		SEE SHEET 1	-	-



CROSS-HATCHED AREA DENOTES COMPONENT AND TRACE KEEP-OUT (EXPECT CHASSIS GROUND)

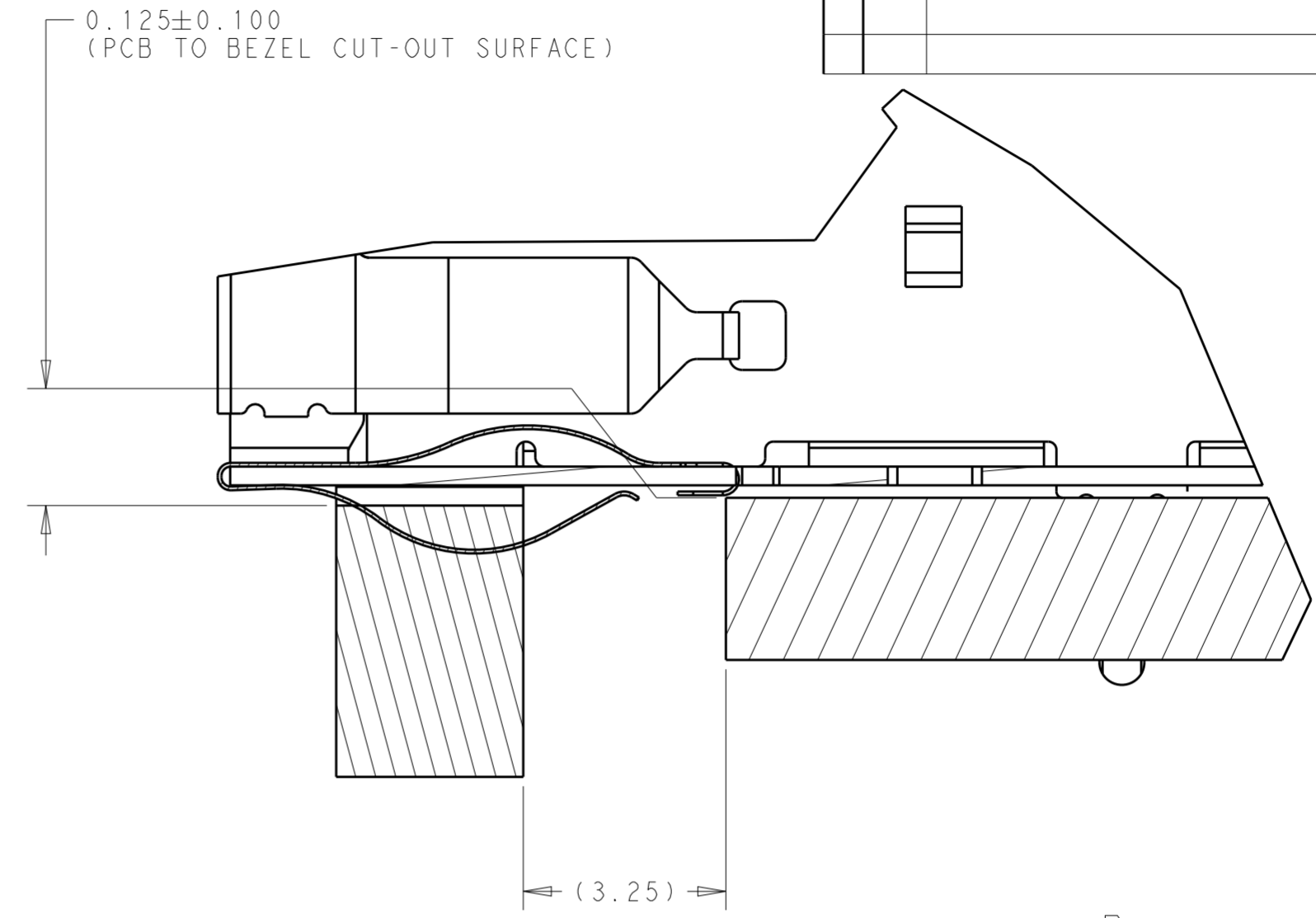
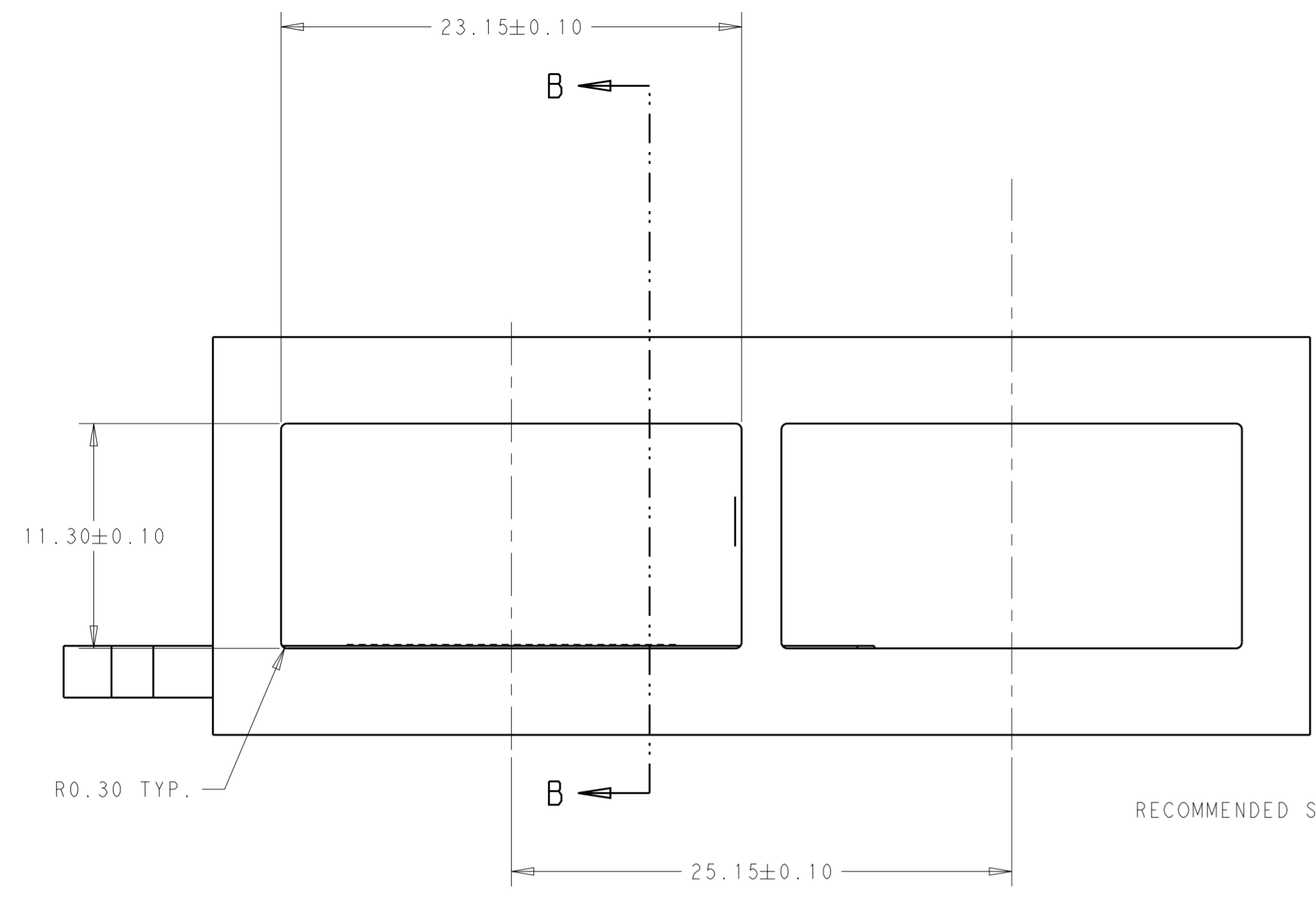
COMPONENT KEEP-OUT AREA (TRACE ALLOWED)

THIS PRINT IS
PRELIMINARY
 UNQUALIFIED PRODUCT
 CONTACT PRODUCT ENGINEERING
 BEFORE USING THIS PRINT

THIS DRAWING IS A CONTROLLED DOCUMENT.		DWN ANDY.XIE 16 JUN 2015	STE TE Connectivity	
		CHK SEAN.HAN 16 JUN 2015		
		APVD SEAN.HAN 16 JUN 2015	NAME HARD WARE KIT FOR CFP4 1X1	
DIMENSIONS: mm		PRODUCT SPEC -		SIZE A2
TOLERANCES UNLESS OTHERWISE SPECIFIED: 0 PLC ± 1 PLC ±0.25 2 PLC ±0.13 3 PLC ±0.10 4 PLC ± ANGLES ± FINISH		APPLICATION SPEC -		CAGE CODE -
MATERIAL -		WEIGHT -		DRAWING NO C-2294014
		Customer Drawing		RESTRICTED TO -
		SCALE 4:1		SHEET 5 OF 6 REV 3

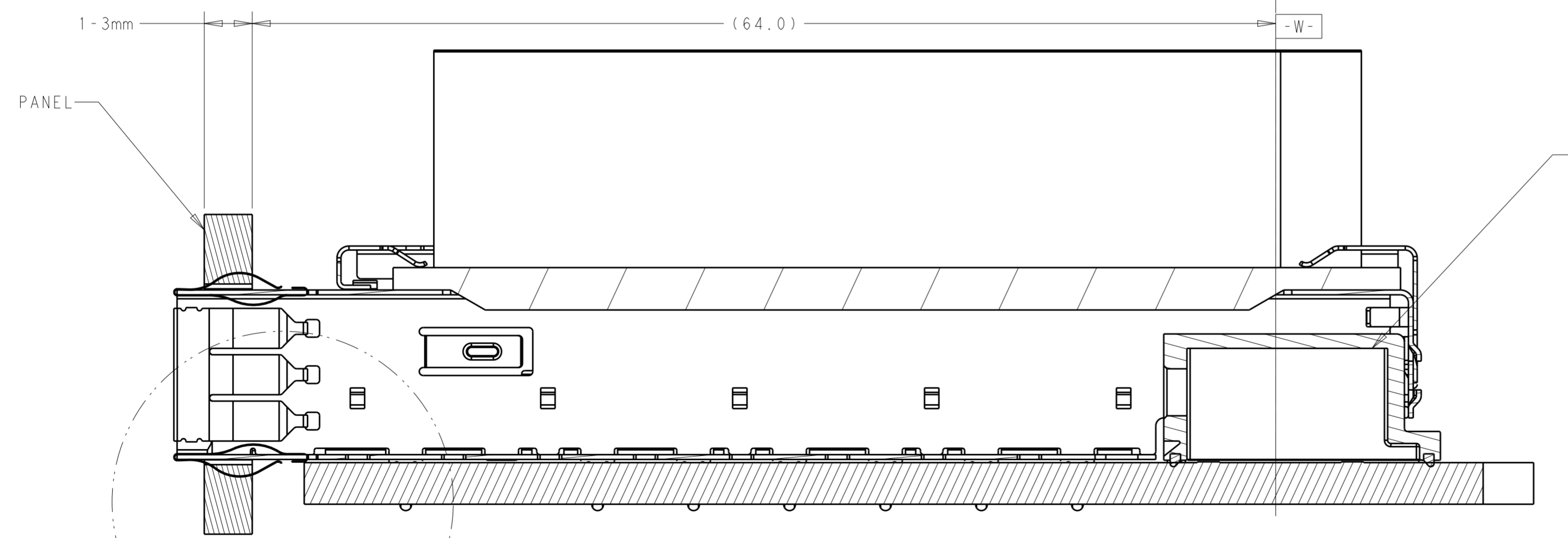
THIS DRAWING IS UNPUBLISHED. RELEASED FOR PUBLICATION 20
 © COPYRIGHT 20 BY - ALL RIGHTS RESERVED.

REVISIONS				
P	LTR	DESCRIPTION	DATE	APVD
-		SEE SHEET 1	-	-



RECOMMENDED SINGLE SIDE APPLICATION

DETAIL B
SCALE 10:1



SEE DETAIL B

SECTION B-B
SCALE 4:1

THIS PRINT IS
PRELIMINARY
UNQUALIFIED PRODUCT
CONTACT PRODUCT ENGINEERING
BEFORE USING THIS PRINT

THIS DRAWING IS A CONTROLLED DOCUMENT.		DWN ANDY.XIE 16 JUN 2015	TE Connectivity	
		CHK SEAN.HAN 16 JUN 2015		
		APVD SEAN.HAN 16 JUN 2015	NAME HARD WARE KIT FOR CFP4 1X1	
DIMENSIONS: mm		TOLERANCES UNLESS OTHERWISE SPECIFIED:		SIZE A2
0 PLC ±		1 PLC ±0.25		CAGE CODE -
2 PLC ±0.13		3 PLC ±0.10		DRAWING NO C-2294014
4 PLC ±		ANGLES ±		RESTRICTED TO -
MATERIAL -		FINISH -		SCALE 4:1
		Customer Drawing		SHEET 6 OF 6
				REV 3