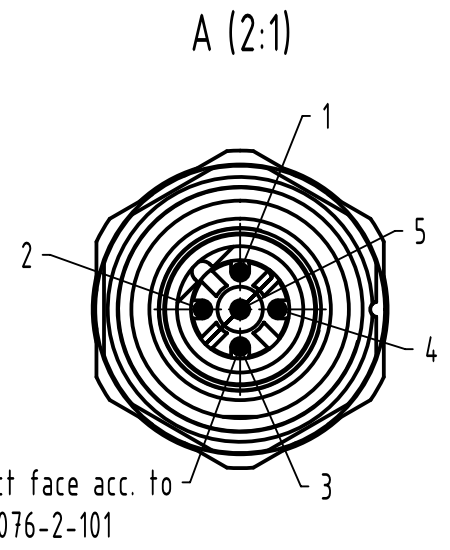
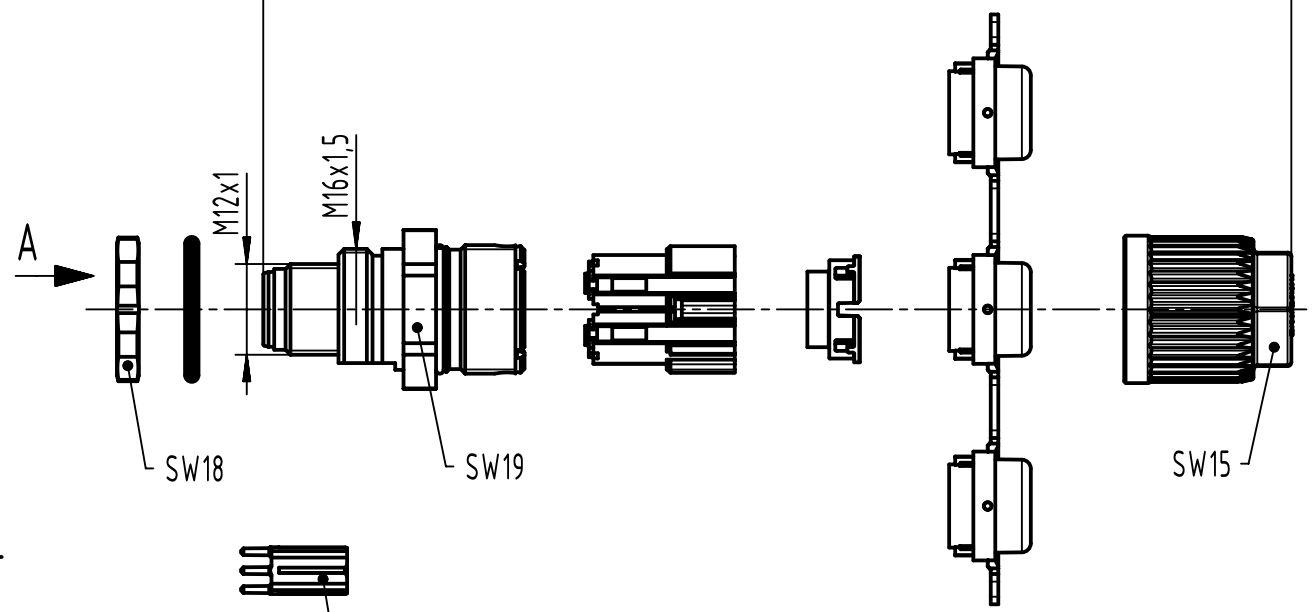
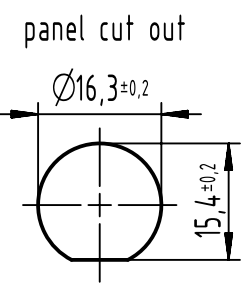


complete length when assembled app. 44.9mm

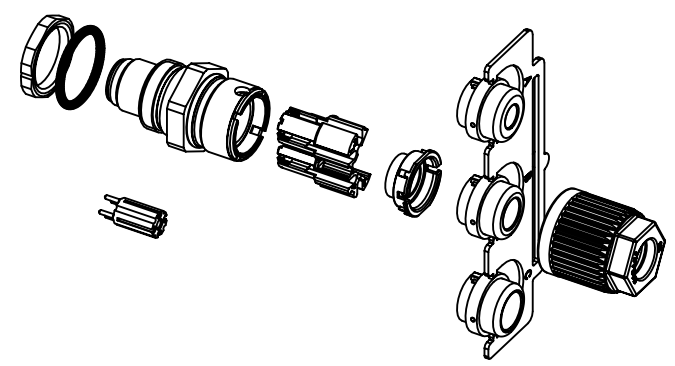


assembly aid enclosed



order contacts separately

cableØ	wire gauge	part-no.
4.5 - 8.8mm	AWG 26-22	09670005576
	AWG 24-20	09670008576
	AWG 22-18	09670003576



Coating	A=	mm ²	V=	mm ³	m=	g	Mat.
	All Dimensions in mm Original Size DIN A4		Scale 1:1	Free size tol.			Ref. Sub.
	All rights reserved Department EL PD		Created by DYCKC	Inspected by EISFELD	Standardisation 302077	Date 2020-10-22	State Final Release
HARTING Electronics GmbH D-32339 Espelkamp			Title HARTING M12 PFT crimp male B-coded 5-pole			Doc-Key / ECM-Nr. 100205968/UGD/002/J 500000179215	
			Type TB	Number 21038411525		Rev. J	Page 1/1