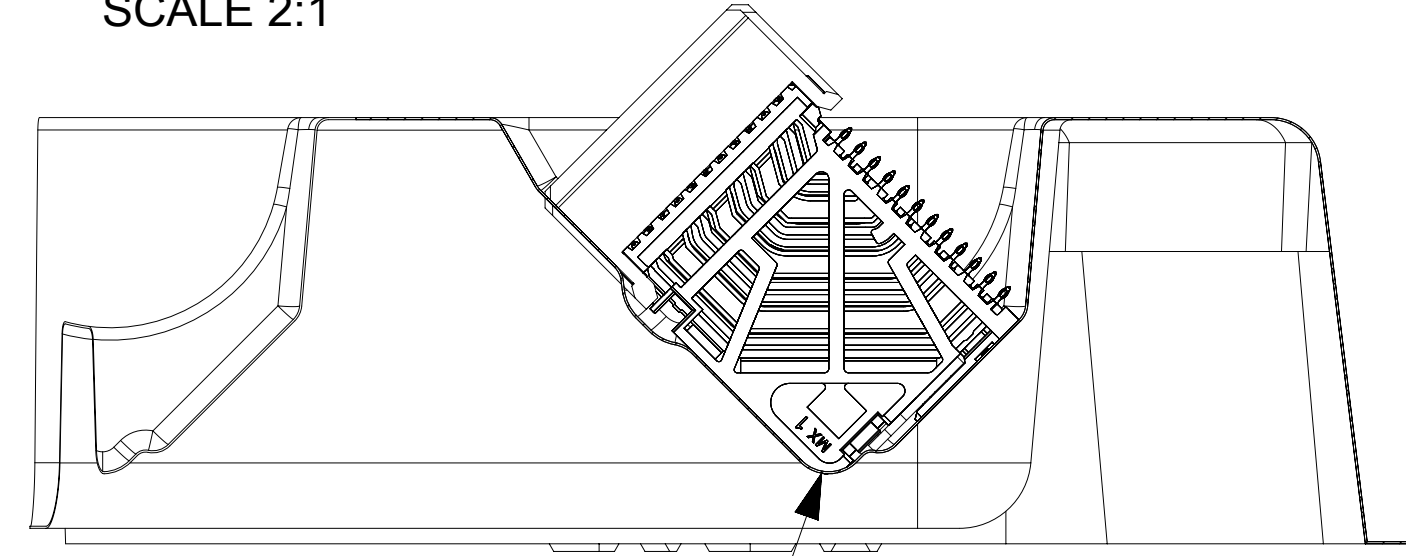


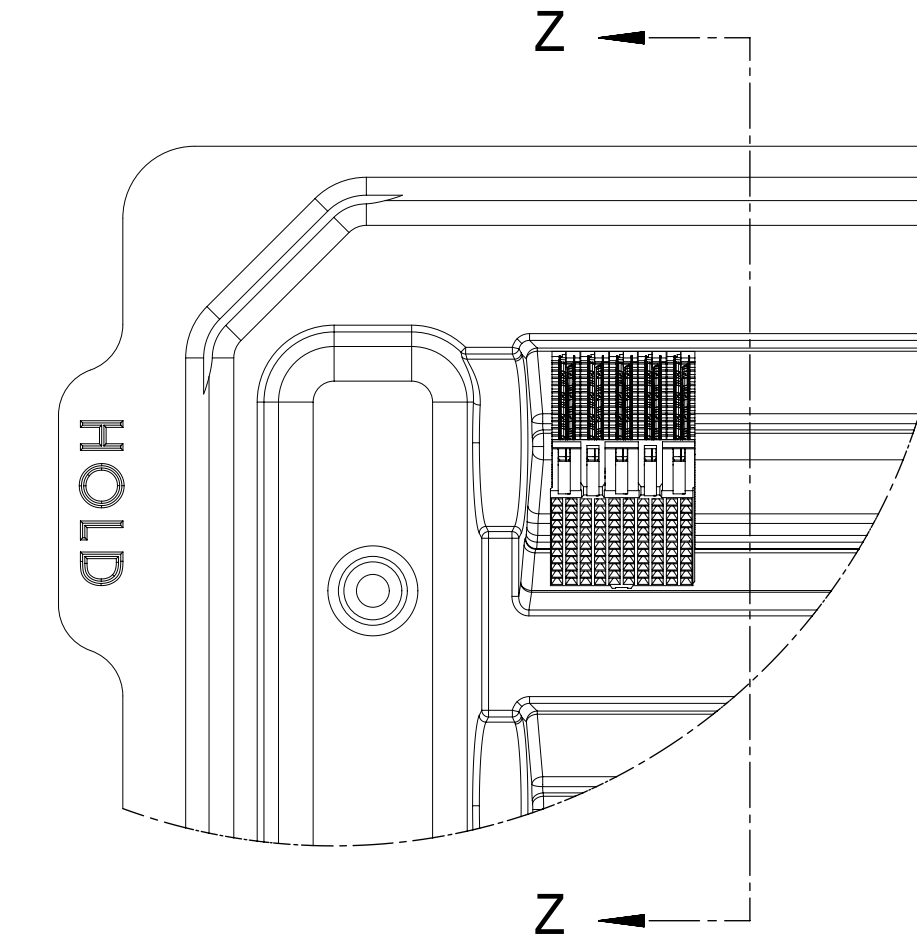
**ADDITIONAL NOTES:**

1. ONCE SMALL TRAY CARTON IS PACKED, USE TWO STRIPS OF TAPE TO SEAL CARTON, THEN PROCEED TO PACKAGING SPECIFICATION PK-70873-550.
2. ALWAYS USE 6 TRAYS STACKED IN BOX. IF MOQ/SPQ IS BROKEN, USE EMPTY TRAYS TO MAINTAIN BOX STABILITY.

SECTION Z-Z  
SCALE 2:1

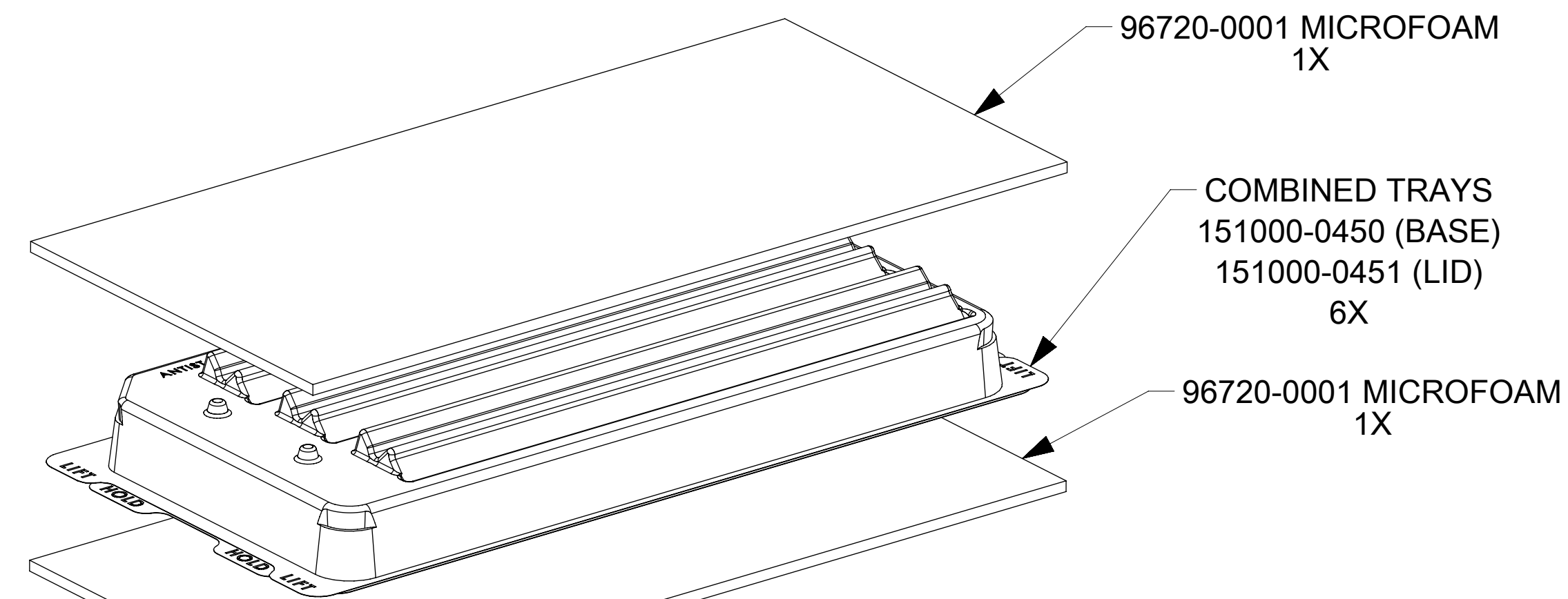
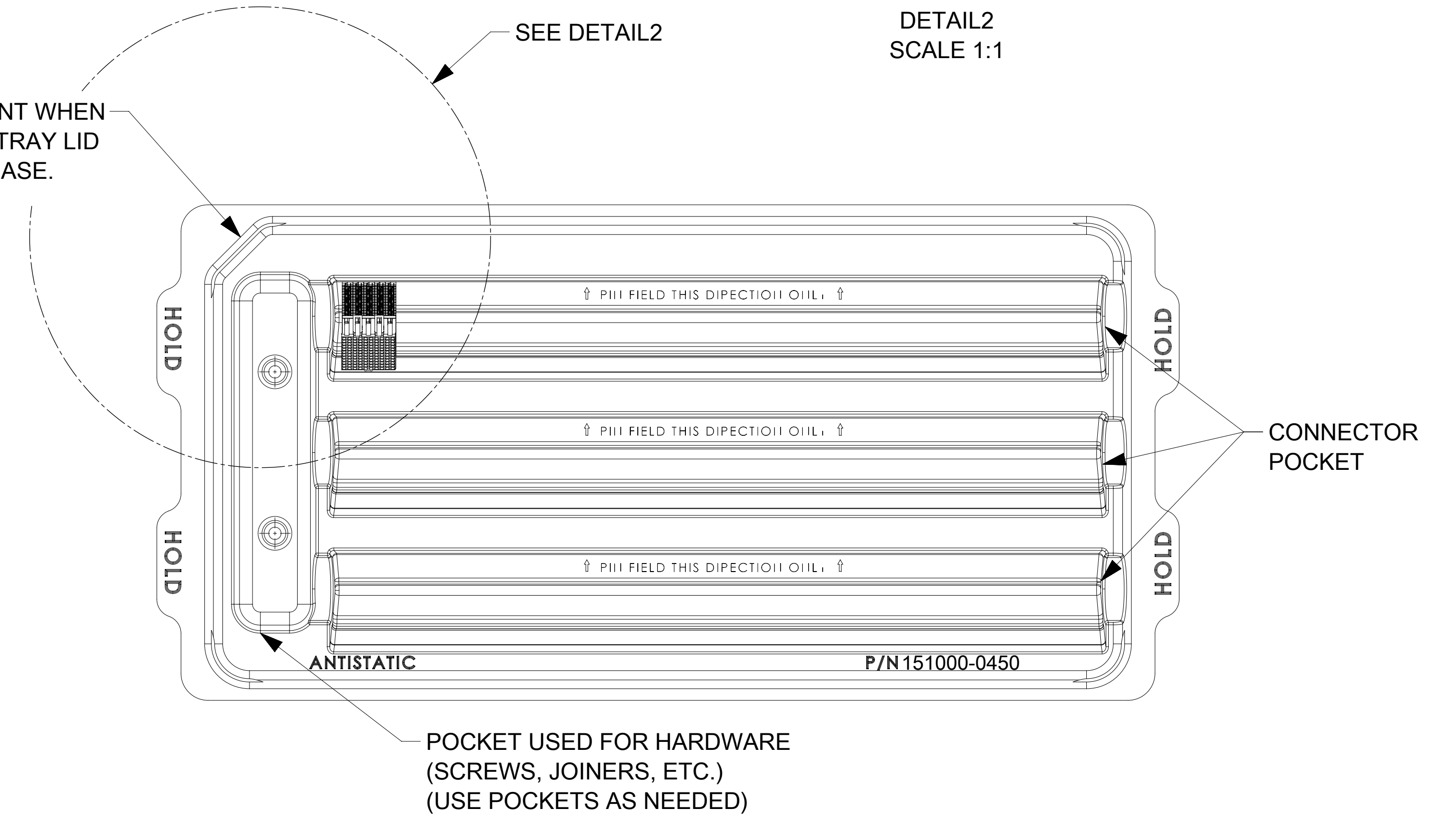


ASSEMBLIES TO BE PLACED WITH STIFFENER SIDE DOWN AND COMPLIANT PINS POINTED IN DIRECTION AS SHOWN.



DETAIL2  
SCALE 1:1

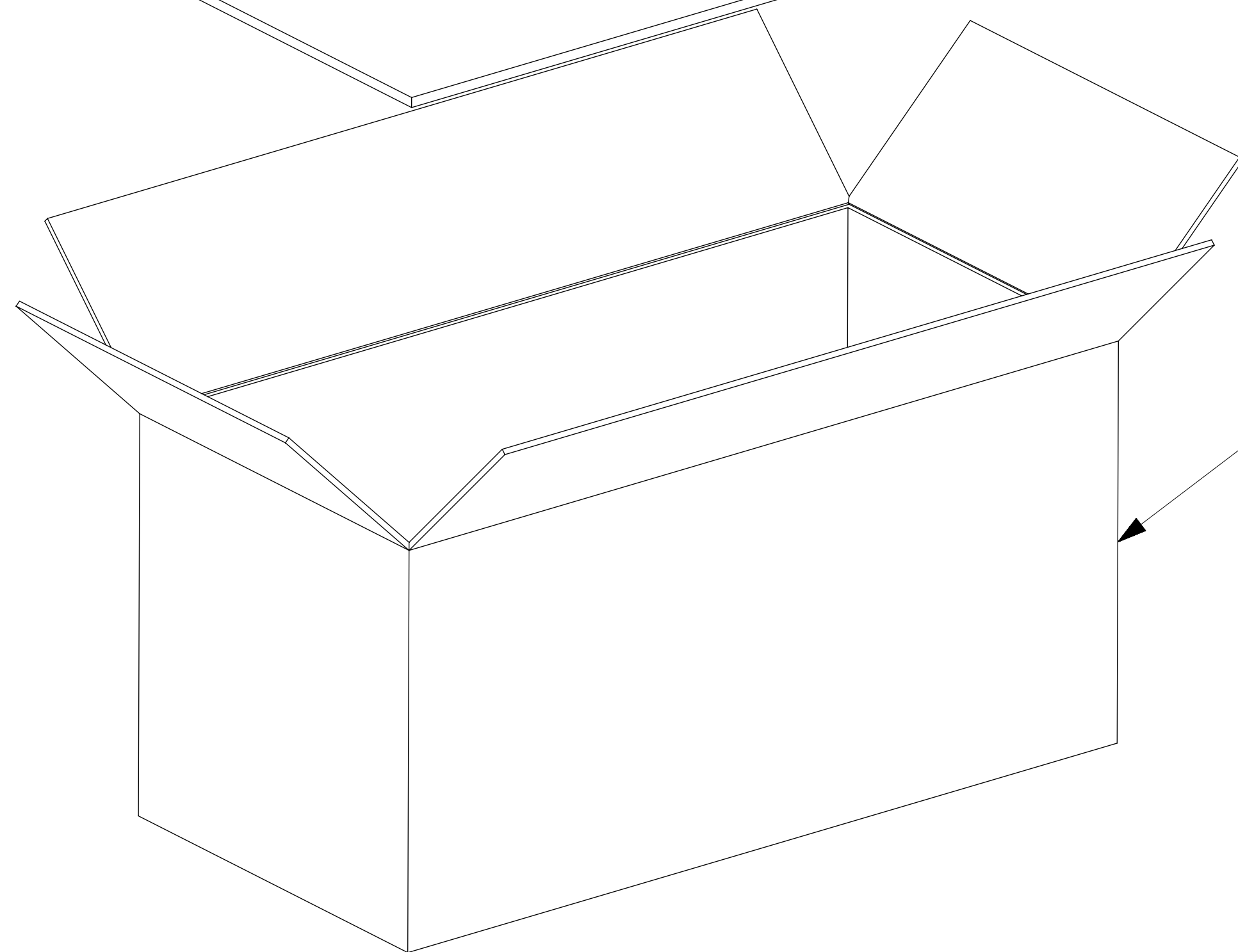
USE NOTCH FOR ALIGNMENT WHEN ASSEMBLING 151000-0451 TRAY LID ON TO 151000-0450 TRAY BASE.



96720-0001 MICROFOAM  
1X

COMBINED TRAYS  
151000-0450 (BASE)  
151000-0451 (LID)  
6X

96720-0001 MICROFOAM  
1X



96707-1001 PRIMARY  
CARTON FOR SMALL TRAYS  
1X

THIS DRAWING CONTAINS INFORMATION THAT IS PROPRIETARY TO MOLEX ELECTRONIC TECHNOLOGIES, LLC AND SHOULD NOT BE USED WITHOUT WRITTEN PERMISSION

DIMENSION UNITS <b>mm</b>	SCALE <b>NTS</b>	CURRENT REV DESC: MIGRATED TO NX		<b>molex</b>				
GENERAL TOLERANCES (UNLESS SPECIFIED)		EC NO: 611059						PACKAGING SPECIFICATION IMPACT DAUGHTERCARD 4-PAIR ASSEMBLY
ANGULAR TOL	± 0.5°	DRWN: SKRISHNAMURT	2019/01/23	PACKAGING DESIGN DRAWING				
4 PLACES	±	CHK'D: TMARRI	2019/01/25	DOCUMENT NUMBER				
3 PLACES	±	APPR: BOKOK	2019/01/28	PK-70873-610		DOC TYPE	DOC PART	REVISION
2 PLACES	±	INITIAL REVISION:		PDD 001 E				
1 PLACE	±	DRWN: MCARRANZA	2007/07/27	MATERIAL NUMBER		CUSTOMER	SHEET NUMBER	
0 PLACES	±	APPR: JLAURX	2008/10/23	70873-6010		GENERAL MARKET	1 OF 1	
DRAFT WHERE APPLICABLE MUST REMAIN WITHIN DIMENSIONS		THIRD ANGLE PROJECTION	DRAWING	SERIES	D-SIZE 70873			