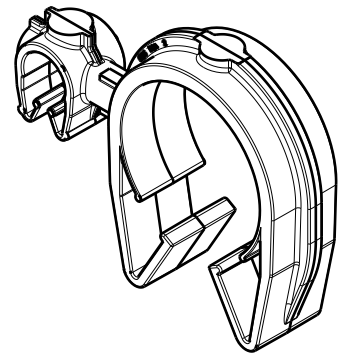
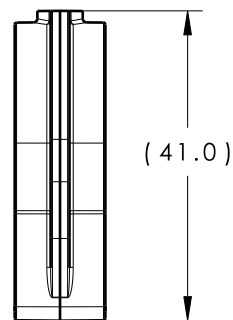
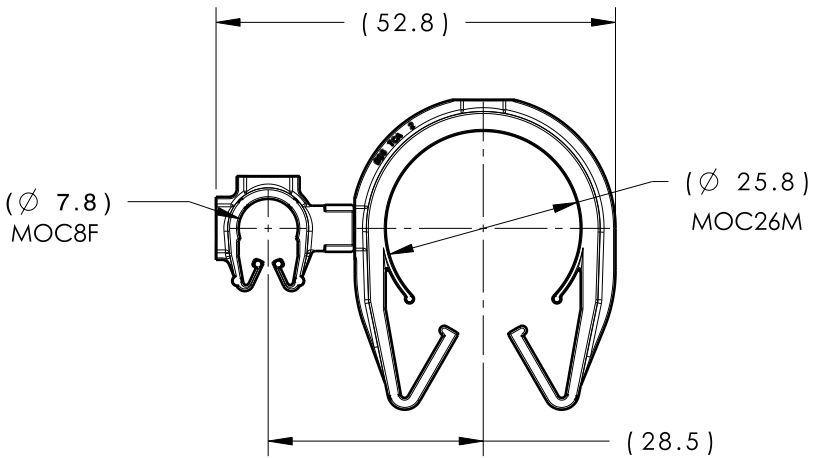
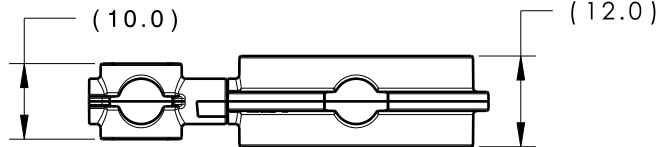
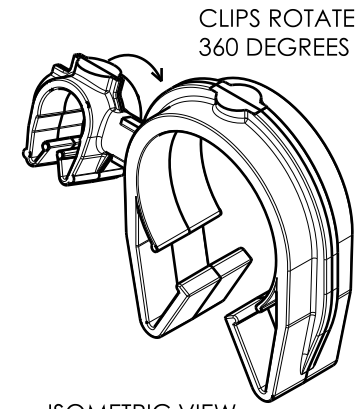


Revision Level			Revision Record	Changed	Date	Approved	Date
Drawing	State	Part					
02.1	Design Release		SEE ECN# 015332	EJH	8/1/19	NHK	8/1/19



ISOMETRIC VIEW



ISOMETRIC VIEW ROTATED

TYPE	MOC8F	MOC26M
HARNESS	7.5MM-8.5MM	23.0MM-28.5MM
HOSE	7.0MM-8.5MM	23.0MM-28.5MM
HARD PIPE/TUBE	7.9MM-9.0MM	25.9MM-29.0MM

*RECOMMENDED SIZES MAY DIFFER DEPENDING ON THE APPLICATION, PRODUCT REQUIREMENTS AND MATERIALS USED

**PATENT: US D822.476S, US D840.799S, EU 003864313, CN 304373914 S

GLOBAL PART DESCRIPTION	MOC8F			MOC26M		
	DRAWING	MATERIAL	COLOR	DRAWING	MATERIAL	COLOR
MOC8FMOC26M-PA66HIRHSUV-BK	16-0316-000-CSU	PA66HIRHSUV	BLACK	16-0325-000-CSU	PA66HIRHSUV	BLACK

Material SEE CHART COLOR: SEE CHART	Units	millimeters	The copyright of this drawing is reserved by HellermannTyton. It is issued on condition that it is not reproduced, copied or disclosed to a third party, either wholly or in part, without the consent of HellermannTyton.	Drawn	TAT	2/21/17	Article/Type-No MOC8FMOC26M	Scale	1:1	
	Tolerance defined on each dimension	Approved		EJH	2/28/17	Title 8MM MOC COUPLED TO A 26MM MOC		Project Number	16-0326	
		HellermannTyton			Drawing-No		PRODUCTION : Phase	Format	AH	
								North America Email: corp@htamericas.com Web: www.hellermann.tyton.com		