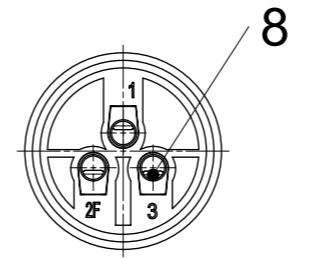
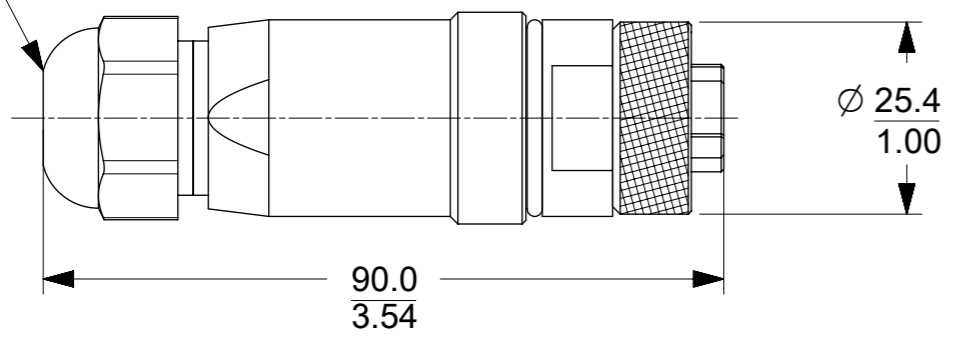
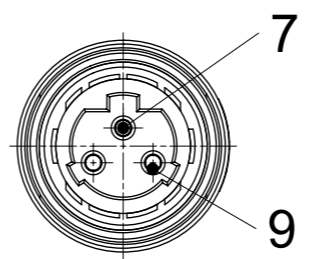
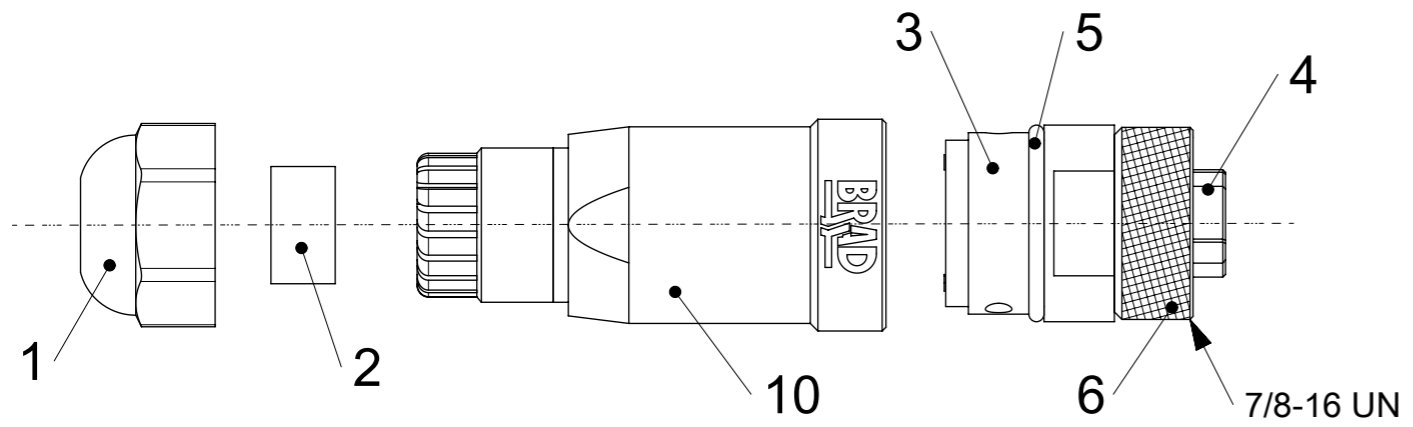
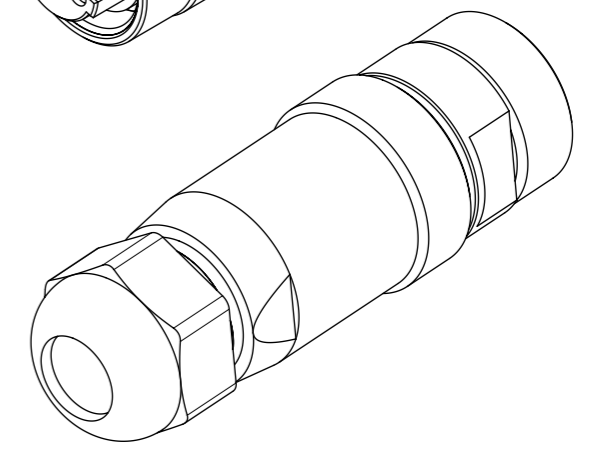
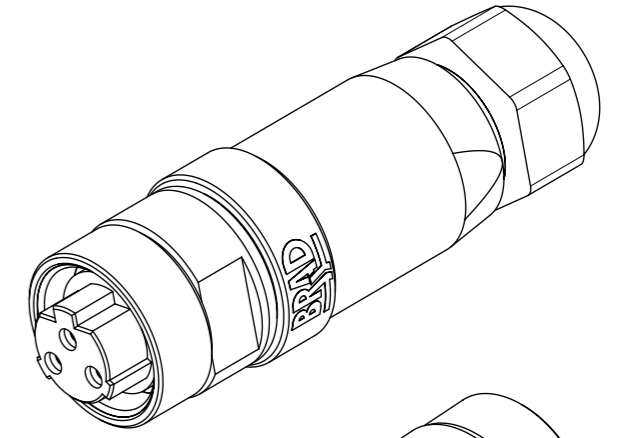


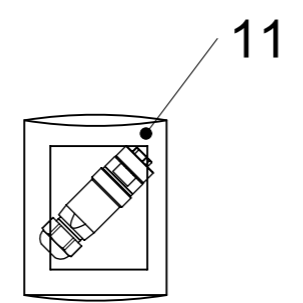
O.D. CABLE RANGE  
6.0-12.0/0.24-0.48



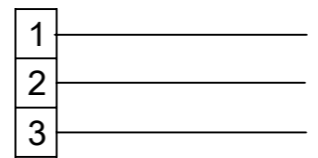
BACK SIDE  
INSERT ONLY A3



FEMALE FACE VIEW



WIRING CHART



- NOTES:
1. MATERIAL: AS NOTED
  2. FINISH: AS NOTED
  3. ELECTRICAL:  
VOLTAGE: 500V PER IEC60664  
600V PER UL2237  
CURRENT: 15A
  4. WIRE RANGE: 24 TO 14AWG
  5. TEMP RATING: -20° TO +80°C
  6. PROTECTION: IP67 (WHEN MATED)
  7. ALL DIMS ARE FOR REFERENCE UNLESS NOTED OTHERWISE

CHART

PART NO.	ENGINEERING NO.
1300170063	1A3100-34PWR

ITEM	COMPONENT	MATERIAL	FINISH
1	HUT NUT PG 13.5	PA, BLACK	-
2	GASKET MO	NITRILE, BLACK	-
3	INSERT FE REAR	PA, BLACK	-
4	INSERT FE FRONT	SANTOPRENE, BLACK	-
5	GASKET OR	NBR, BLACK	-
6	COUPLING NUT	BRASS	Ni PLATED
7	CONTACT FE	BRASS	AU PLATED
8	SCREW M3x5	BRASS	ZN
9	SLEEVE	STAINLESS STEEL 305	-
10	HOUSING FA	PA, BLACK	-
11	POLYBAG 200x200x0.050	PE	-

QUALITY SYMBOLS A = 0 E = 0 F = 0 G = 0 H = 0 I = 0 J = 0 K = 0 L = 0 M = 0 N = 0 O = 0 P = 0 Q = 0 R = 0 S = 0 T = 0 U = 0 V = 0 W = 0 X = 0 Y = 0 Z = 0	THIS DRAWING CONTAINS INFORMATION THAT IS PROPRIETARY TO MOLEX ELECTRONIC TECHNOLOGIES, LLC AND SHOULD NOT BE USED WITHOUT WRITTEN PERMISSION		DIMENSION UNITS mm		SCALE 1:1							
	EC NO: 167046 DRWN: RSCHEIBER CHK'D: BBRAUCH REV APPR:		GENERAL TOLERANCES (UNLESS SPECIFIED) ANGULAR TOL ± 1.0 ° 4 PLACES ± 3 PLACES ± 2 PLACES ± 0.05 1 PLACE ± 0.3 0 PLACES ± 0.5		DRWN BY RSCHEIBER						DATE 2016/02/01	
	IEC VOLTAGE WAS 400		DRAFT WHERE APPLICABLE MUST REMAIN WITHIN DIMENSIONS		CHK'D BY KCOX01		DATE 2017/03/03		PRODUCT CUSTOMER DRAWING			
	A3		A3		APPR BY JALEXANDER		DATE 2016/03/16					
RELEASE STATUS P1		RELEASE DATE 25.10.2017 08:25:11		DOCUMENT NUMBER 1300170063		DOC TYPE PSD		DOC PART 000		SHEET NUMBER 1 OF 1		