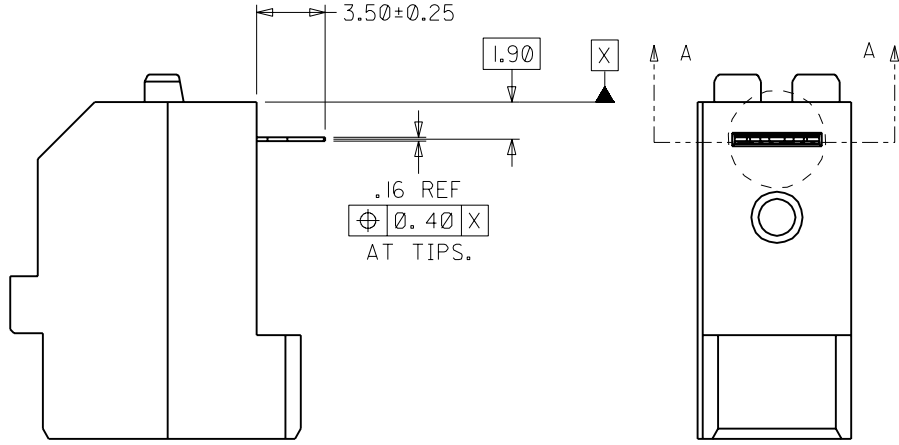
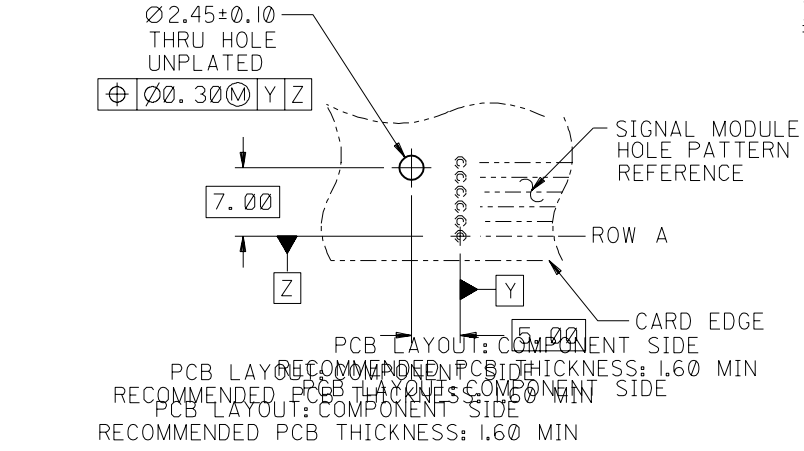
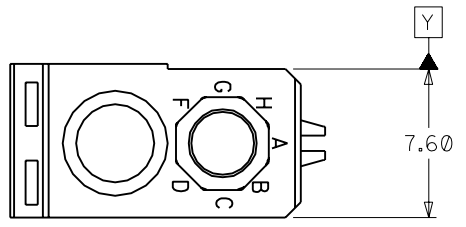
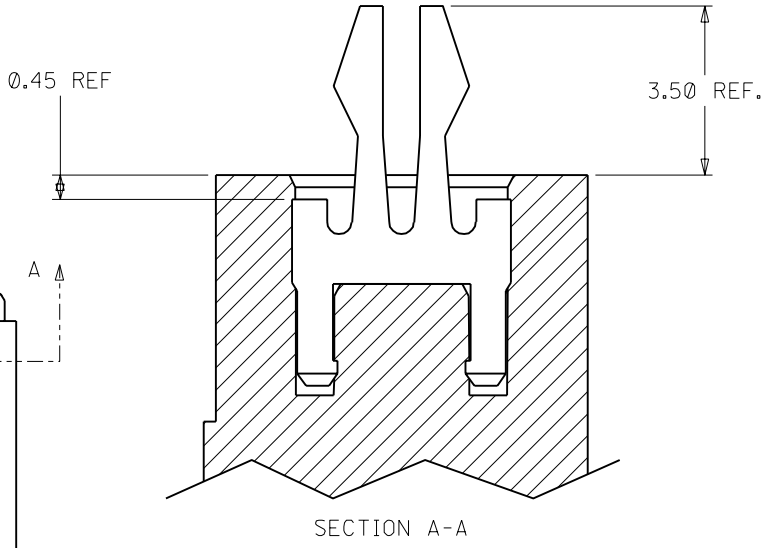


BUSHING CLOCKING POSITIONS	PART NUMBER (FORKS NOT SHOWN)	
F NO BUSHING INSTALLED	73713-8000	
A	73713-0000	
E	73713-1000	
C	73713-2000	
D	73713-3000	
E	73713-4000	
C	73713-5000	
G	73713-6000	
B	73713-7000	



- NOTES:**
1. FORK LOCK SHALL WITHSTAND MINIMUM PULL-OUT FORCE OF 816 GRAMS (1.8 LBS).
 2. DIMENSIONS ARE IN MILLIMETERS.
 3. FORK LOCK OPTION DESIGN FOR STANDARD 1.58 mm BOARDS.
 4. MAXIMUM INSERTION FORCE SHALL NOT EXCEED 6.6 LBS.
 5. FORK LOCKS FOR SECUREMENT DURING SOLDERING.



INITIAL RELEASE EC NO. U81160 DRW:HELO 97/11/11 CHK: BINGHAM 97/11/11 APPR: BIXLER 97/11/11	QUALITY SYMBOLS MAJOR = 0 CRITICAL = 0	GENERAL TOLERANCES: (UNLESS SPECIFIED)		SCALE 4 : 1	DESIGN UNITS <input checked="" type="checkbox"/> mm <input type="checkbox"/> INCH	DIMENSIONS: <input type="checkbox"/> mm <input type="checkbox"/> INCH <input checked="" type="checkbox"/> mm ONLY	SHT	REV
		mm	INCH	DRAWN BY & DATE ELO 97/11/11	THIRD ANGLE PROJECTION		REVISION ON CAD ONLY	
A	REV	DESCRIPTION		4 PLACES ±0.10 / ±N/A		TITLE: SALES ASSY, HDM DAUGHTERCARD GUIDE BLOCK W/PC BOARD LOCK		
		3 PLACES ±0.05 / ±N/A		2 PLACES ±0.05 / ±N/A		MOLEX INCORPORATED		
		1 PLACE ±0.10 / ±N/A		ANGULAR: ±N/A°		MATERIAL NO. SEE CHART SD-73713-001		
		DRAFT WHERE APPLICABLE MUST REMAIN WITHIN DIMENSIONS		CAD FILENAME SD73713A.DGN		DRAWING NO. SEE CHART SD-73713-001		SHEET NO. 1 OF 1
				THIS DRAWING CONTAINS INFORMATION THAT IS PROPRIETARY TO MOLEX INCORPORATED AND SHOULD NOT BE USED WITHOUT WRITTEN PERMISSION.				SIZE B