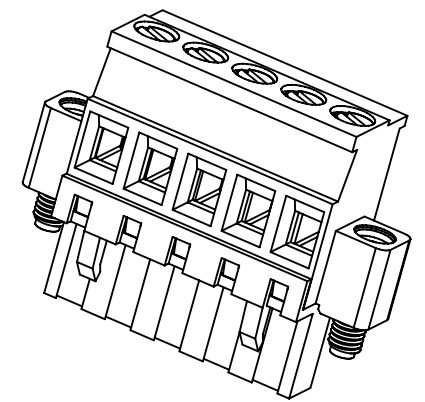
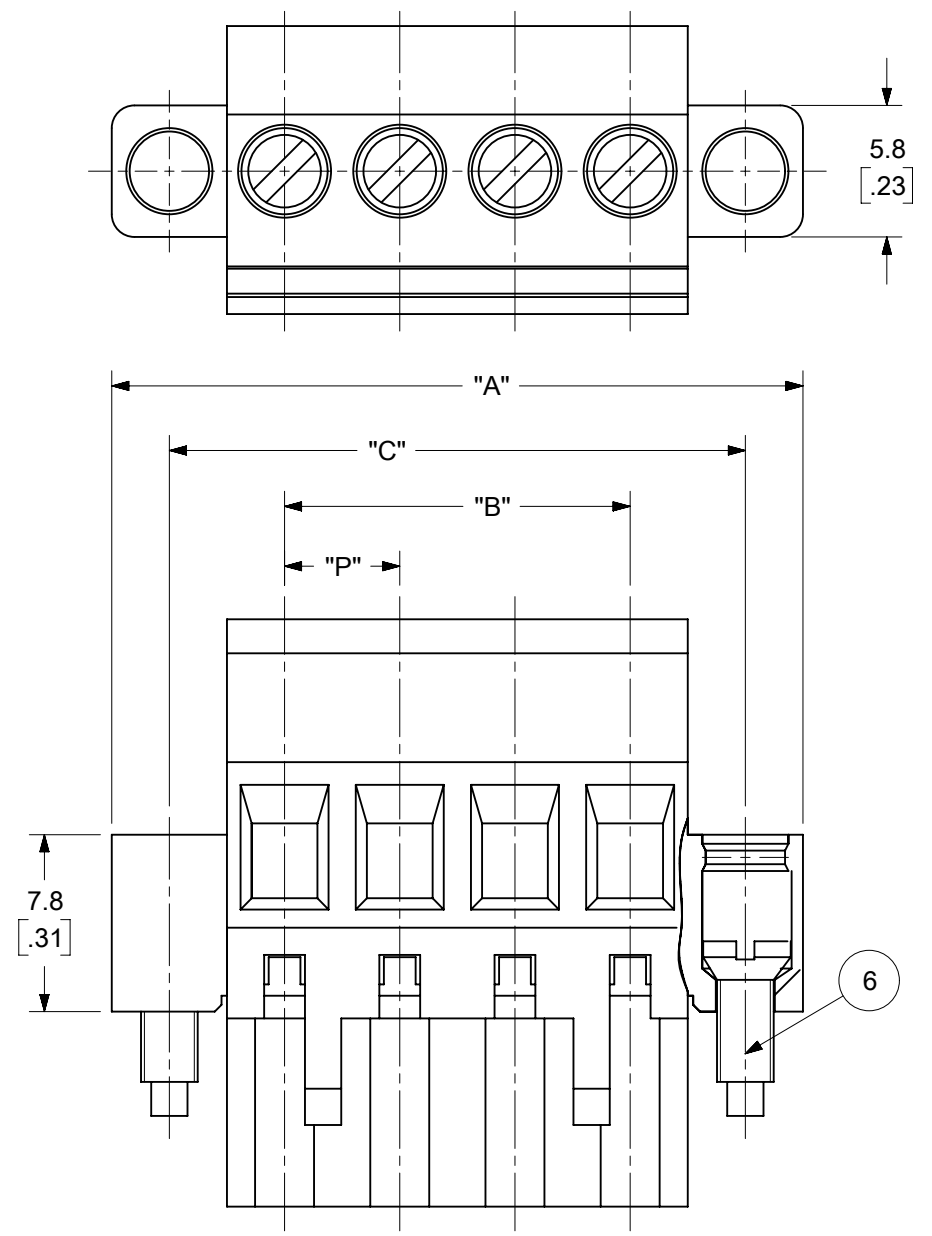
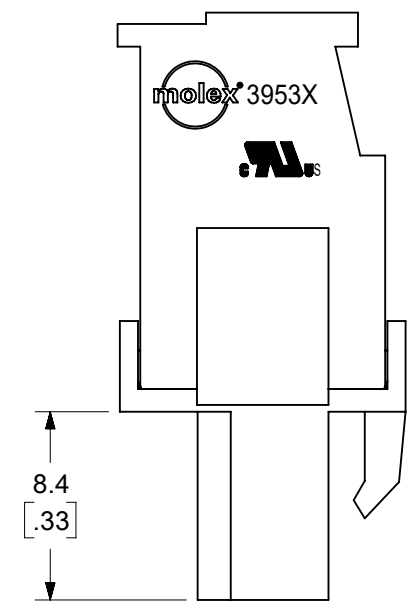
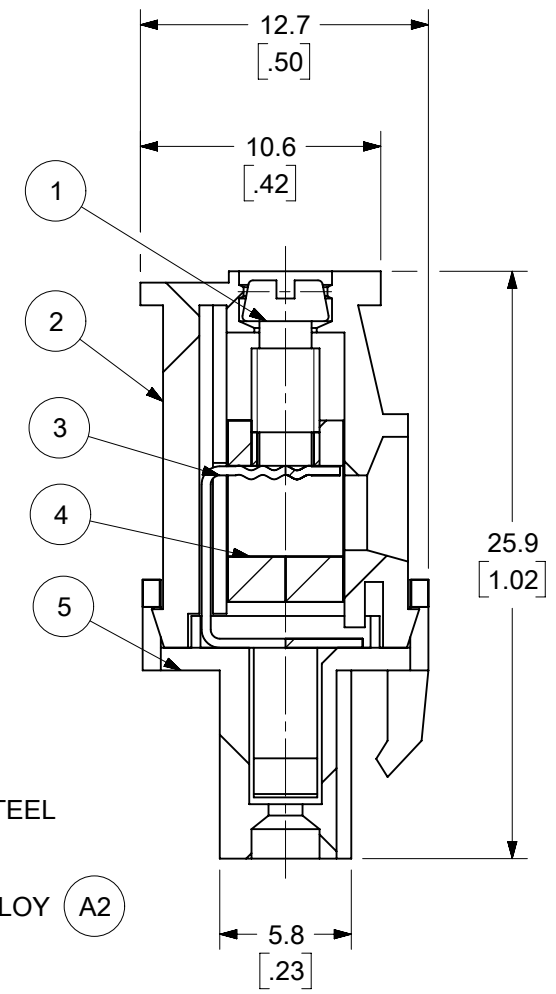


PCB LAYOUT
A2



- SPECIFICATIONS:**
- MATERIAL:**
 - M3 CLAMP SCREW: ZINC PLATED STEEL
 - BODY: PA66, UL94-V0
 - TERMINAL: TIN PLATED COPPER ALLOY (A2)
 - CAGE: NICKEL PLATED BRASS
 - COVER: PA66, UL94-V0
 - M3 MOUNTING SCREW: ZINC PLATED STEEL
 - WIRE RANGE: 12-30AWG (A2)
 - ELECTRICAL RATING: 300V, 18A PER UL (A2)
 - WIRE STRIP LENGTH: 5.0mm
 - OPERATING TEMPERATURE: -40°C to +105°C.
 - MAX TORQUE: 5 IN. LBS. (A2)
 - INSULATION RESISTANCE: DC 500V, 500MΩ.
 - DIELECTRIC WITHSTAND: AC 2500V FOR 1 MINUTE.
 - BREAKDOWN VOLTAGE : 4000V.
 - CONTACT RESISTANCE: <10 milliohms

TOLERANCES			
MM	TOL	INCH	TOL
0-6	±0.25	0-.24	±.010
>6-30	±0.40	>.24-1.18	±.016
>30-120	±0.50	>1.18-4.76	±.020
>120	±0.80	>4.76	±.031

FUNCTIONAL SYMBOLS $\nabla_A = 0$ $\nabla_E = 0$ $\nabla_P = 0$				DIMENSION UNITS MM/INCH				SCALE 3:1				CURRENT REV DESC: MIGRATED TO ECTR/NX. REAR ENTRY CHANGED TO FRONT WIRE ENTRY IN TITLE BLOCK. ADDED PCB LAYOUT. MODIFIED NOTES. REMOVED CSA LOGO			
DIVISIONAL SYMBOLS 4 PLACES ± --- ± --- 3 PLACES ± --- ± CHART 2 PLACES ± CHART ± CHART 1 PLACE ± CHART ± --- 0 PLACES ± --- ± --- ANGULAR TOL ± ---				GENERAL TOLERANCES (UNLESS SPECIFIED) MM INCH 4 PLACES ± --- ± --- 3 PLACES ± --- ± CHART 2 PLACES ± CHART ± CHART 1 PLACE ± CHART ± --- 0 PLACES ± --- ± --- ANGULAR TOL ± ---				EC NO: 719296 DRWN: ABENJAMINLW 2021/07/13 CHK'D: DACHAMMER 2022/08/25 APPR: JFMURPHY 2022/09/23				molex 5.08MM, EURO PLUG, VERTICAL FRONT WIRE ENTRY WITH MOUNTING ENDS			
DRAFT WHERE APPLICABLE MUST REMAIN WITHIN DIMENSIONS				THIRD ANGLE PROJECTION				DRAWING SERIES B-SIZE 39537				MATERIAL NUMBER CUSTOMER SHEET NUMBER SEE SHEET-2 GENERAL MARKET 1 OF 2			

F		MATERIAL NUMBERS													DIMENSIONAL INFORMATION																																																							
		BLACK						GREEN																																																														
		100% TIN			30 u" GOLD			100% TIN			30 u" GOLD			DIM. "A"		DIM. "B"		DIM. "C"																																																				
		CIRCUIT SIZE	PRINTING OPTIONS			PRINTING OPTIONS			PRINTING OPTIONS			PRINTING OPTIONS			mm	inch	mm	inch	mm	inch																																																		
None	10AV		11AV	None	10AV	11AV	None	10AV	11AV	None	10AV	11AV	mm	inch	mm	inch	mm	inch																																																				
DESCRIPTION																																																																						
E	5.08mm, EURO PLUG, VERTICAL FWE, MOUNTING ENDS	2	395373002	395373302	395373402	395373502	395373802	395373902	395378002	395378302	395378402	395378502	395378802	395378902	20.3	.80	5.1	.20	15.2	.60																																																		
E	5.08mm, EURO PLUG, VERTICAL FWE, MOUNTING ENDS	3	395373003	395373303	395373403	395373503	395373803	395373903	395378003	395378303	395378403	395378503	395378803	395378903	25.4	1.00	10.2	.40	20.3	.80																																																		
E	5.08mm, EURO PLUG, VERTICAL FWE, MOUNTING ENDS	4	395373004	395373304	395373404	395373504	395373804	395373904	395378004	395378304	395378404	395378504	395378804	395378904	30.5	1.20	15.2	.60	25.4	1.00																																																		
E	5.08mm, EURO PLUG, VERTICAL FWE, MOUNTING ENDS	5	395373005	395373305	395373405	395373505	395373805	395373905	395378005	395378305	395378405	395378505	395378805	395378905	35.6	1.40	20.3	.80	30.5	1.20																																																		
E	5.08mm, EURO PLUG, VERTICAL FWE, MOUNTING ENDS	6	395373006	395373306	395373406	395373506	395373806	395373906	395378006	395378306	395378406	395378506	395378806	395378906	40.6	1.60	25.4	1.00	35.6	1.40																																																		
E	5.08mm, EURO PLUG, VERTICAL FWE, MOUNTING ENDS	7	395373007	395373307	395373407	395373507	395373807	395373907	395378007	395378307	395378407	395378507	395378807	395378907	45.7	1.80	30.5	1.20	40.6	1.60																																																		
E	5.08mm, EURO PLUG, VERTICAL FWE, MOUNTING ENDS	8	395373008	395373308	395373408	395373508	395373808	395373908	395378008	395378308	395378408	395378508	395378808	395378908	50.8	2.00	35.6	1.40	45.7	1.80																																																		
E	5.08mm, EURO PLUG, VERTICAL FWE, MOUNTING ENDS	9	395373009	395373309	395373409	395373509	395373809	395373909	395378009	395378309	395378409	395378509	395378809	395378909	55.9	2.20	40.6	1.60	50.8	2.00																																																		
E	5.08mm, EURO PLUG, VERTICAL FWE, MOUNTING ENDS	10	395373010	395373310	395373410	395373510	395373810	395373910	395378010	395378310	395378410	395378510	395378810	395378910	61.0	2.40	45.7	1.80	55.9	2.20																																																		
D	5.08mm, EURO PLUG, VERTICAL FWE, MOUNTING ENDS	11	395373011	395373311	395373411	395373511	395373811	395373911	395378011	395378311	395378411	395378511	395378811	395378911	66.0	2.60	50.8	2.00	61.0	2.40																																																		
D	5.08mm, EURO PLUG, VERTICAL FWE, MOUNTING ENDS	12	395373012	395373312	395373412	395373512	395373812	395373912	395378012	395378312	395378412	395378512	395378812	395378912	71.1	2.80	55.9	2.20	66.0	2.60																																																		
D	5.08mm, EURO PLUG, VERTICAL FWE, MOUNTING ENDS	13	395373013	395373313	395373413	395373513	395373813	395373913	395378013	395378313	395378413	395378513	395378813	395378913	76.2	3.00	61.0	2.40	71.1	2.80																																																		
D	5.08mm, EURO PLUG, VERTICAL FWE, MOUNTING ENDS	14	395373014	395373314	395373414	395373514	395373814	395373914	395378014	395378314	395378414	395378514	395378814	395378914	81.3	3.20	66.0	2.60	76.2	3.00																																																		
D	5.08mm, EURO PLUG, VERTICAL FWE, MOUNTING ENDS	15	395373015	395373315	395373415	395373515	395373815	395373915	395378015	395378315	395378415	395378515	395378815	395378915	86.4	3.40	71.1	2.80	81.3	3.20																																																		
D	5.08mm, EURO PLUG, VERTICAL FWE, MOUNTING ENDS	16	395373016	395373316	395373416	395373516	395373816	395373916	395378016	395378316	395378416	395378516	395378816	395378916	91.4	3.60	76.2	3.00	86.4	3.40																																																		
D	5.08mm, EURO PLUG, VERTICAL FWE, MOUNTING ENDS	17	395373017	395373317	395373417	395373517	395373817	395373917	395378017	395378317	395378417	395378517	395378817	395378917	96.5	3.80	81.3	3.20	91.4	3.60																																																		
D	5.08mm, EURO PLUG, VERTICAL FWE, MOUNTING ENDS	18	395373018	395373318	395373418	395373518	395373818	395373918	395378018	395378318	395378418	395378518	395378818	395378918	101.6	4.00	86.4	3.40	96.5	3.80																																																		
C	5.08mm, EURO PLUG, VERTICAL FWE, MOUNTING ENDS	19	395373019	395373319	395373419	395373519	395373819	395373919	395378019	395378319	395378419	395378519	395378819	395378919	106.7	4.20	91.4	3.60	101.6	4.00																																																		
C	5.08mm, EURO PLUG, VERTICAL FWE, MOUNTING ENDS	20	395373020	395373320	395373420	395373520	395373820	395373920	395378020	395378320	395378420	395378520	395378820	395378920	111.8	4.40	96.5	3.80	106.7	4.20																																																		
C	5.08mm, EURO PLUG, VERTICAL FWE, MOUNTING ENDS	21	395373021	395373321	395373421	395373521	395373821	395373921	395378021	395378321	395378421	395378521	395378821	395378921	116.8	4.60	101.6	4.00	111.8	4.40																																																		
C	5.08mm, EURO PLUG, VERTICAL FWE, MOUNTING ENDS	22	395373022	395373322	395373422	395373522	395373822	395373922	395378022	395378322	395378422	395378522	395378822	395378922	121.9	4.80	106.7	4.20	116.8	4.60																																																		
C	5.08mm, EURO PLUG, VERTICAL FWE, MOUNTING ENDS	23	395373023	395373323	395373423	395373523	395373823	395373923	395378023	395378323	395378423	395378523	395378823	395378923	127.0	5.00	111.8	4.40	121.9	4.80																																																		
C	5.08mm, EURO PLUG, VERTICAL FWE, MOUNTING ENDS	24	395373024	395373324	395373424	395373524	395373824	395373924	395378024	395378324	395378424	395378524	395378824	395378924	132.1	5.20	116.8	4.60	127.0	5.00																																																		
B	(A2)																																																																					
A	<table border="1" style="width: 100%; border-collapse: collapse;"> <thead> <tr> <th colspan="4">TOLERANCES</th> </tr> <tr> <th>MM</th> <th>TOL</th> <th>INCH</th> <th>TOL</th> </tr> </thead> <tbody> <tr> <td>0-6</td> <td>±0.25</td> <td>0-.24</td> <td>±.010</td> </tr> <tr> <td>>6-30</td> <td>±0.40</td> <td>.24-1.18</td> <td>±.016</td> </tr> <tr> <td>>30-120</td> <td>±0.50</td> <td>1.18-4.76</td> <td>±.020</td> </tr> <tr> <td>>120</td> <td>±0.80</td> <td>>4.76</td> <td>±.031</td> </tr> </tbody> </table>																			TOLERANCES				MM	TOL	INCH	TOL	0-6	±0.25	0-.24	±.010	>6-30	±0.40	.24-1.18	±.016	>30-120	±0.50	1.18-4.76	±.020	>120	±0.80	>4.76	±.031																											
TOLERANCES																																																																						
MM	TOL	INCH	TOL																																																																			
0-6	±0.25	0-.24	±.010																																																																			
>6-30	±0.40	.24-1.18	±.016																																																																			
>30-120	±0.50	1.18-4.76	±.020																																																																			
>120	±0.80	>4.76	±.031																																																																			
A	<table border="1" style="width: 100%; border-collapse: collapse;"> <tr> <td style="width: 15%;">FUNCTIONAL SYMBOLS</td> <td style="width: 15%;">THIS DRAWING CONTAINS INFORMATION THAT IS PROPRIETARY TO MOLEX ELECTRONIC TECHNOLOGIES, LLC AND SHOULD NOT BE USED WITHOUT WRITTEN PERMISSION</td> <td style="width: 15%;">CURRENT REV DESC: MIGRATED TO ECTR/NX. REAR ENTRY CHANGED TO FRONT WIRE ENTRY IN TITLE BLOCK. ADDED PCB LAYOUT. MODIFIED NOTES. REMOVED CSA LOGO</td> <td style="width: 15%; text-align: center;">molex</td> </tr> <tr> <td>FA = 0</td> <td>DIMENSION UNITS: MM/INCH</td> <td>SCALE: 3:1</td> <td rowspan="2" style="text-align: center;">5.08MM, EURO PLUG, VERTICAL FRONT WIRE ENTRY WITH MOUNTING ENDS</td> </tr> <tr> <td>EA = 0</td> <td colspan="2">GENERAL TOLERANCES (UNLESS SPECIFIED)</td> </tr> <tr> <td>EA = 0</td> <td>4 PLACES ± --- ± ---</td> <td>3 PLACES ± --- ± CHART</td> <td>EC NO: 719296</td> </tr> <tr> <td></td> <td>3 PLACES ± --- ± CHART</td> <td>2 PLACES ± CHART ± CHART</td> <td>DRWN: ABENJAMINLW 2021/07/13</td> </tr> <tr> <td></td> <td>2 PLACES ± CHART ± CHART</td> <td>1 PLACE ± CHART ± ---</td> <td>CHK'D: DACHAMMER 2022/08/25</td> </tr> <tr> <td></td> <td>0 PLACES ± --- ± ---</td> <td>ANGULAR TOL ± ---</td> <td>APPR: JFMURPHY 2022/09/23</td> </tr> <tr> <td></td> <td>DRAFT WHERE APPLICABLE MUST REMAIN WITHIN DIMENSIONS</td> <td>THIRD ANGLE PROJECTION</td> <td>INITIAL REVISION: DRWN: CYORK 2006/03/23 APPR: RDEROSS 2006/03/24</td> </tr> <tr> <td></td> <td></td> <td>DRAWING: B-SIZE</td> <td>SERIES: 39537</td> </tr> <tr> <td></td> <td></td> <td>MATERIAL NUMBER: SEE CHART</td> <td>CUSTOMER: GENERAL MARKET</td> </tr> <tr> <td></td> <td></td> <td>DOCUMENT NUMBER: SD-39537-001</td> <td>DOC TYPE: PSD</td> </tr> <tr> <td></td> <td></td> <td>DOC PART: 001</td> <td>REVISION: A2</td> </tr> <tr> <td></td> <td></td> <td>SHEET NUMBER: 2 OF 2</td> <td></td> </tr> </table>																			FUNCTIONAL SYMBOLS	THIS DRAWING CONTAINS INFORMATION THAT IS PROPRIETARY TO MOLEX ELECTRONIC TECHNOLOGIES, LLC AND SHOULD NOT BE USED WITHOUT WRITTEN PERMISSION	CURRENT REV DESC: MIGRATED TO ECTR/NX. REAR ENTRY CHANGED TO FRONT WIRE ENTRY IN TITLE BLOCK. ADDED PCB LAYOUT. MODIFIED NOTES. REMOVED CSA LOGO	molex	FA = 0	DIMENSION UNITS: MM/INCH	SCALE: 3:1	5.08MM, EURO PLUG, VERTICAL FRONT WIRE ENTRY WITH MOUNTING ENDS	EA = 0	GENERAL TOLERANCES (UNLESS SPECIFIED)		EA = 0	4 PLACES ± --- ± ---	3 PLACES ± --- ± CHART	EC NO: 719296		3 PLACES ± --- ± CHART	2 PLACES ± CHART ± CHART	DRWN: ABENJAMINLW 2021/07/13		2 PLACES ± CHART ± CHART	1 PLACE ± CHART ± ---	CHK'D: DACHAMMER 2022/08/25		0 PLACES ± --- ± ---	ANGULAR TOL ± ---	APPR: JFMURPHY 2022/09/23		DRAFT WHERE APPLICABLE MUST REMAIN WITHIN DIMENSIONS	THIRD ANGLE PROJECTION	INITIAL REVISION: DRWN: CYORK 2006/03/23 APPR: RDEROSS 2006/03/24			DRAWING: B-SIZE	SERIES: 39537			MATERIAL NUMBER: SEE CHART	CUSTOMER: GENERAL MARKET			DOCUMENT NUMBER: SD-39537-001	DOC TYPE: PSD			DOC PART: 001	REVISION: A2			SHEET NUMBER: 2 OF 2	
FUNCTIONAL SYMBOLS	THIS DRAWING CONTAINS INFORMATION THAT IS PROPRIETARY TO MOLEX ELECTRONIC TECHNOLOGIES, LLC AND SHOULD NOT BE USED WITHOUT WRITTEN PERMISSION	CURRENT REV DESC: MIGRATED TO ECTR/NX. REAR ENTRY CHANGED TO FRONT WIRE ENTRY IN TITLE BLOCK. ADDED PCB LAYOUT. MODIFIED NOTES. REMOVED CSA LOGO	molex																																																																			
FA = 0	DIMENSION UNITS: MM/INCH	SCALE: 3:1	5.08MM, EURO PLUG, VERTICAL FRONT WIRE ENTRY WITH MOUNTING ENDS																																																																			
EA = 0	GENERAL TOLERANCES (UNLESS SPECIFIED)																																																																					
EA = 0	4 PLACES ± --- ± ---	3 PLACES ± --- ± CHART	EC NO: 719296																																																																			
	3 PLACES ± --- ± CHART	2 PLACES ± CHART ± CHART	DRWN: ABENJAMINLW 2021/07/13																																																																			
	2 PLACES ± CHART ± CHART	1 PLACE ± CHART ± ---	CHK'D: DACHAMMER 2022/08/25																																																																			
	0 PLACES ± --- ± ---	ANGULAR TOL ± ---	APPR: JFMURPHY 2022/09/23																																																																			
	DRAFT WHERE APPLICABLE MUST REMAIN WITHIN DIMENSIONS	THIRD ANGLE PROJECTION	INITIAL REVISION: DRWN: CYORK 2006/03/23 APPR: RDEROSS 2006/03/24																																																																			
		DRAWING: B-SIZE	SERIES: 39537																																																																			
		MATERIAL NUMBER: SEE CHART	CUSTOMER: GENERAL MARKET																																																																			
		DOCUMENT NUMBER: SD-39537-001	DOC TYPE: PSD																																																																			
		DOC PART: 001	REVISION: A2																																																																			
		SHEET NUMBER: 2 OF 2																																																																				
A	DOCUMENT STATUS	P1	RELEASE DATE	2022/09/23	15:39:17																																																																	