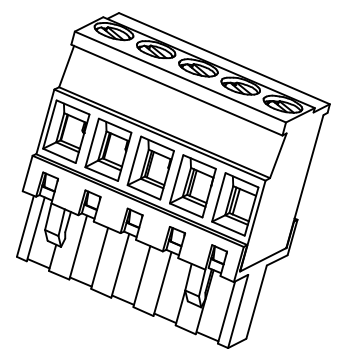
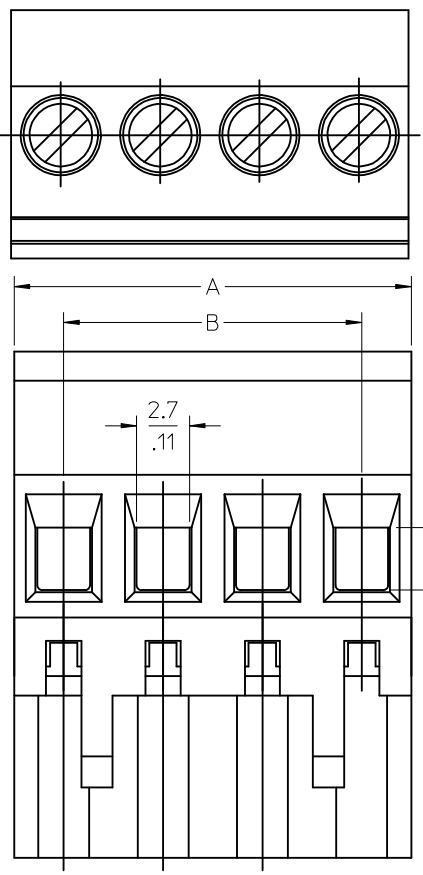
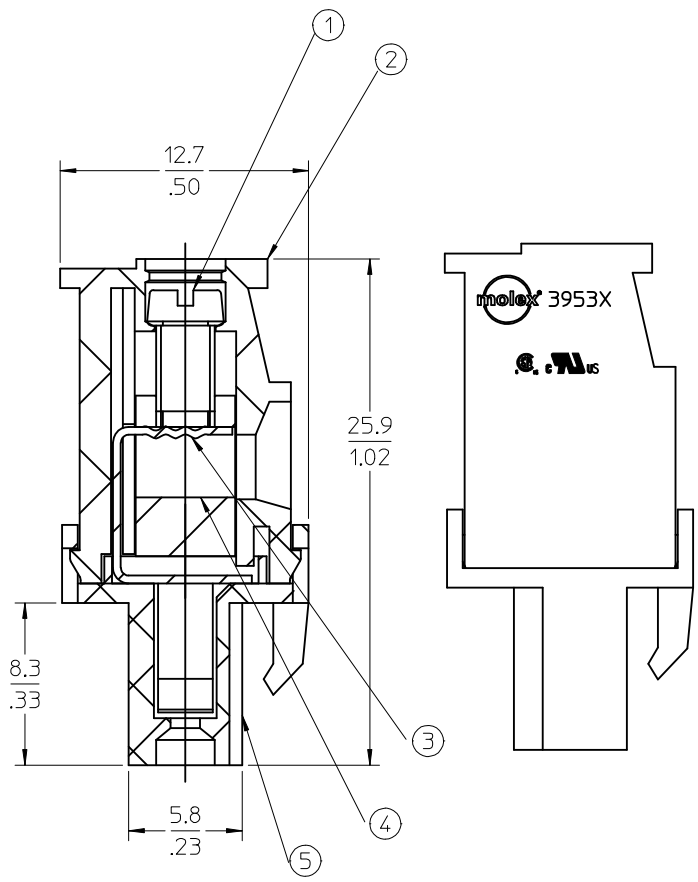


10 9 8 7 6 5 4 3 2 1



**SPECIFICATIONS:**

- 1. Material:
  - (1). Screw: Steel
  - (2). Body: PA66
  - (3). Terminal: Phosphor Bronze
  - (4). Cage: Brass
  - (5). Cover: PA66
- 2. Wire range: 12 - 26 AWG
- 3. Electrical rating: 300V, 15A.
- 4. Wire strip length: 5.0mm.
- 5. Operating temperature: -40C to +105C.
- 6. Max torque: 5 In Lbs.
- 7. Insulation resistance: DC 500V, 500M.
- 8. Dielectric withstand: AC 2500V for 1 minute.
- 9. Breakdown voltage: 4000V.
- 10. Contact resistance: <10 mW.
- 11. A = (N x P)
- 12. B = (N - 1) x P
- 13. P (PITCH) = 5.08mm (.200").
- 14. N = Number of positions available 2 through 24.

TOLERANCES			
MM	TOL	INCH	TOL
0-6	±0.25	0-.24	±.010
>6-30	±0.40	.24-1.18	±.016
>30-120	±0.50	1.18-4.76	±.020
>120	±0.80	>4.76	±.031

REVISED DOC TITLE EEC NO: IPG2018-0122 DRWNR:KIVADAR 2017/08/22 CHKD: APPR:BRUPERT 2017/08/24 REV DESCRIPTION	QUALITY SYMBOLS	GENERAL TOLERANCES (UNLESS SPECIFIED)	DIMENSION STYLE	SCALE	DESIGN UNITS	THIRD ANGLE PROJECTION
	▼=0 ▽=0	mm INCH 4 PLACES ± --- ± --- 3 PLACES ± --- ± --- 2 PLACES ± --- ± --- 1 PLACE ± --- ± --- ANGULAR ± ---°	MM/IN	4:1	INCH	DRAWN BY LROTHAUS DATE 12/6/05 CHECKED BY C. YORK DATE 01/06/06 APPROVED BY DATE
		DRAFT WHERE APPLICABLE MUST REMAIN WITHIN DIMENSIONS	MATERIAL NO.	TITLE		
			SEE CHART	5.08MM, EURO PLUG, VERTICAL, FRONT WIRE ENTRY		
A3			MATERIAL NO. SD-39533-001		MOLEX INCORPORATED	
			DOCUMENT NO. SD-39533-001		SHEET NO. 1 OF 1	
			THIS DRAWING CONTAINS INFORMATION THAT IS PROPRIETARY TO MOLEX INCORPORATED AND SHOULD NOT BE USED WITHOUT WRITTEN PERMISSION			

9 8 7 6 5 4 3 2 1

Description	Circuit Size	Material Numbers												Dimensional Information			
		Hawk						Green						Dim. A mm inch		Dim. D mm inch	
		100% Tin			30 u" Cold			100% Tin			30 u" Cold						
		Printing Options			Printing Options			Printing Options			Printing Options						
None	10AV	11AV	None	10AV	11AV	None	10AV	11AV	None	10AV	11AV	None	10AV	11AV			
5.08mm, Euro Plug, Vertical, Rear Wire Entry	2	395333002	395333002	395333402	395333502	395333002	395333902	395339002	395339002	395339402	395339502	395339002	395339902	10.18	0.400	5.09	0.200
5.08mm, Euro Plug, Vertical, Rear Wire Entry	3	395333003	395333303	395333403	395333503	395333903	395333903	395339003	395339303	395339403	395339503	395339903	395339903	15.24	0.600	10.16	0.400
5.08mm, Euro Plug, Vertical, Rear Wire Entry	4	395333004	395333304	395333404	395333504	395333904	395333904	395339004	395339304	395339404	395339504	395339904	395339904	20.32	0.800	15.24	0.600
5.08mm, Euro Plug, Vertical, Rear Wire Entry	5	395333005	395333305	395333405	395333505	395333905	395333905	395339005	395339305	395339405	395339505	395339905	395339905	25.40	1.000	20.32	0.600
5.08mm, Euro Plug, Vertical, Rear Wire Entry	6	395333006	395333306	395333406	395333506	395333906	395333906	395339006	395339306	395339406	395339506	395339906	395339906	30.48	1.200	25.40	1.000
5.08mm, Euro Plug, Vertical, Rear Wire Entry	7	395333007	395333307	395333407	395333507	395333907	395333907	395339007	395339307	395339407	395339507	395339907	395339907	35.56	1.400	30.48	1.200
5.08mm, Euro Plug, Vertical, Rear Wire Entry	8	395333008	395333308	395333408	395333508	395333908	395333908	395339008	395339308	395339408	395339508	395339908	395339908	40.64	1.600	35.56	1.400
5.08mm, Euro Plug, Vertical, Rear Wire Entry	9	395333009	395333309	395333409	395333509	395333909	395333909	395339009	395339309	395339409	395339509	395339909	395339909	45.72	1.800	40.64	1.600
5.08mm, Euro Plug, Vertical, Rear Wire Entry	10	395333010	395333310	395333410	395333510	395333910	395333910	395339010	395339310	395339410	395339510	395339910	395339910	50.80	2.000	45.72	1.600
5.08mm, Euro Plug, Vertical, Rear Wire Entry	11	395333011	395333311	395333411	395333511	395333911	395333911	395339011	395339311	395339411	395339511	395339911	395339911	55.90	2.200	50.80	2.000
5.08mm, Euro Plug, Vertical, Rear Wire Entry	12	395333012	395333312	395333412	395333512	395333912	395333912	395339012	395339312	395339412	395339512	395339912	395339912	60.96	2.400	55.88	2.200
5.08mm, Euro Plug, Vertical, Rear Wire Entry	13	395333013	395333313	395333413	395333513	395333913	395333913	395339013	395339313	395339413	395339513	395339913	395339913	66.04	2.600	60.96	2.400
5.08mm, Euro Plug, Vertical, Rear Wire Entry	14	395333014	395333314	395333414	395333514	395333914	395333914	395339014	395339314	395339414	395339514	395339914	395339914	71.12	2.800	66.04	2.600
5.08mm, Euro Plug, Vertical, Rear Wire Entry	15	395333015	395333315	395333415	395333515	395333915	395333915	395339015	395339315	395339415	395339515	395339915	395339915	76.20	3.000	71.12	2.800
5.08mm, Euro Plug, Vertical, Rear Wire Entry	16	395333016	395333316	395333416	395333516	395333916	395333916	395339016	395339316	395339416	395339516	395339916	395339916	81.28	3.200	76.20	3.000
5.08mm, Euro Plug, Vertical, Rear Wire Entry	17	395333017	395333317	395333417	395333517	395333917	395333917	395339017	395339317	395339417	395339517	395339917	395339917	86.36	3.400	81.28	3.200
5.08mm, Euro Plug, Vertical, Rear Wire Entry	18	395333018	395333318	395333418	395333518	395333918	395333918	395339018	395339318	395339418	395339518	395339918	395339918	91.44	3.600	86.36	3.400
5.08mm, Euro Plug, Vertical, Rear Wire Entry	19	395333019	395333319	395333419	395333519	395333919	395333919	395339019	395339319	395339419	395339519	395339919	395339919	96.52	3.800	91.44	3.600
5.08mm, Euro Plug, Vertical, Rear Wire Entry	20	395333020	395333320	395333420	395333520	395333920	395333920	395339020	395339320	395339420	395339520	395339920	395339920	101.60	4.000	96.52	3.800
5.08mm, Euro Plug, Vertical, Rear Wire Entry	21	395333021	395333321	395333421	395333521	395333921	395333921	395339021	395339321	395339421	395339521	395339921	395339921	106.68	4.200	101.60	4.000
5.08mm, Euro Plug, Vertical, Rear Wire Entry	22	395333022	395333322	395333422	395333522	395333922	395333922	395339022	395339322	395339422	395339522	395339922	395339922	111.76	4.400	106.68	4.200
5.08mm, Euro Plug, Vertical, Rear Wire Entry	23	395333023	395333323	395333423	395333523	395333923	395333923	395339023	395339323	395339423	395339523	395339923	395339923	116.84	4.600	111.76	4.400
5.08mm, Euro Plug, Vertical, Rear Wire Entry	24	395333024	395333324	395333424	395333524	395333924	395333924	395339024	395339324	395339424	395339524	395339924	395339924	121.92	4.800	116.84	4.600

TOLERANCES			
MM	TOL	INCH	TOL
0-6	±0.25	0-.24	±.010
>6-30	±0.40	.24-1.18	±.016
>30-120	±0.50	1.18-4.76	±.020
>120	±0.80	>4.76	±.031

REVISED DOC TITLE  
 EC NO: IFC2018-0122  
 DRAWN: RIKI VADAR 2017/08/22  
 CHKD: [blank]  
 APPR: BRUPERT 2017/08/24

QUALITY SYMBOLS  
 ▽=0  
 ▽=0  
 A3

GENERAL TOLERANCES (UNLESS SPECIFIED)

	mm	INCH
4 PLACES	± ---	± ---
3 PLACES	± ---	± ---
2 PLACES	± ---	± ---
1 PLACE	± ---	± ---

ANGULAR ± ---°

DRAFT WHERE APPLICABLE  
 MUST REMAIN WITHIN DIMENSIONS

DIMENSION STYLE  
 MM/IN

DRAWN BY DATE  
 LROTHAUS 12/6/05

CHECKED BY DATE  
 C. YORK 01/05/06

APPROVED BY DATE

SCALE  
 INCH

DESIGN UNITS  
 INCH

THIRD ANGLE PROJECTION

TITLE  
 5.08MM, EURO PLUG, VERTICAL, FRONT WIRE ENTRY

MATERIAL NO.  
 SEE CHART

DOCUMENT NO.  
 SD-39533-001

SHEET NO.  
 2 OF 2

THIS DRAWING CONTAINS INFORMATION THAT IS PROPRIETARY TO MOLEX INCORPORATED AND SHOULD NOT BE USED WITHOUT WRITTEN PERMISSION