

6

5

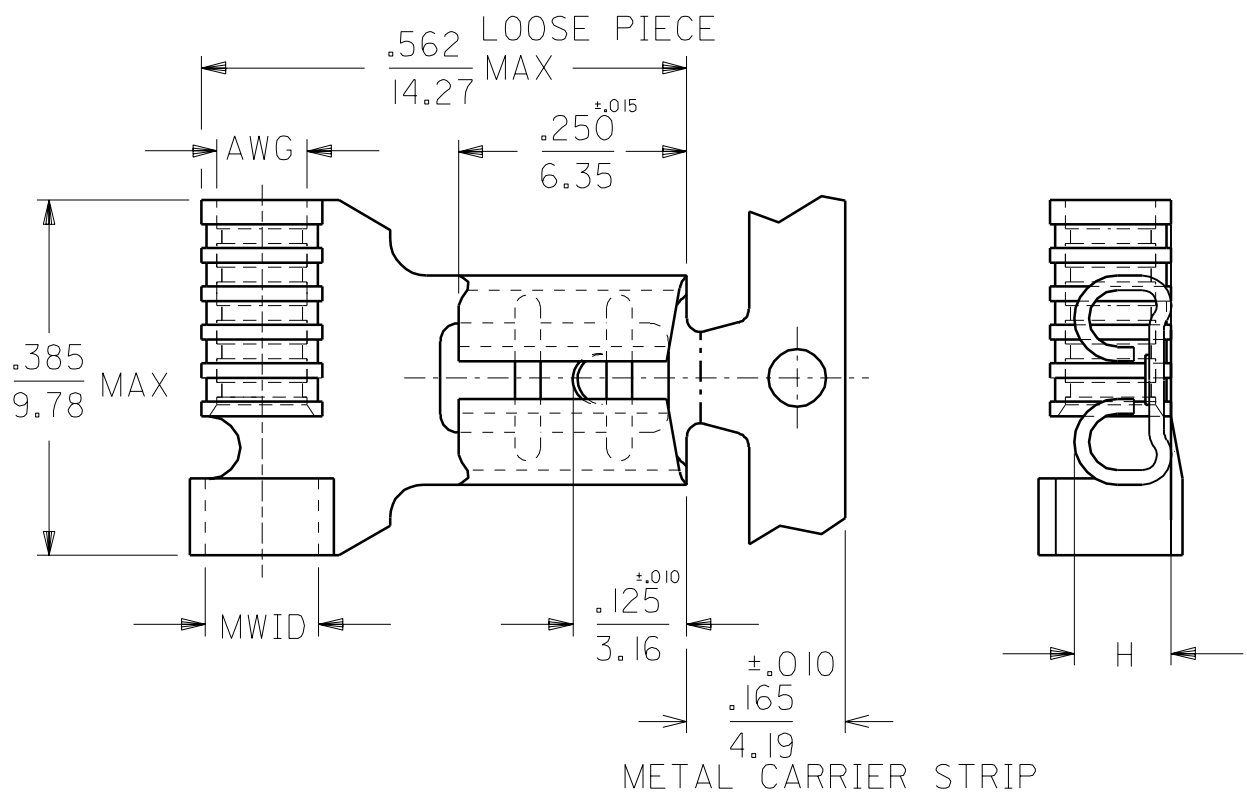
4

3

2

1

DRWG. NO. CUST. DRWG.



METAL STRIP PART NO.	LOOSE PART NO.	DIMENSIONS			
		AWG	MWID	"H" MAX	TAB SIZE
AAZ-4170	AA-4170	22-18	.135/3.43	.121/3.07	.187X.020
BBZ-4171	BB-4171	16-14	.145/3.68	.121/3.07	.187X.020
AAZ-4170-032	AA-4170-032	22-18	.135/3.43	.131/3.33	.187X.032
BBZ-4171-032	BB-4171-032	16-14	.145/3.68	.131/3.33	.187X.032

LTR.	REVISIONS

NOTES:
1. ALL DIMENSIONS = INCHES/MM

DIMENSIONS SHOWN (METRIC) INCH	
UNLESS OTHERWISE SPECIFIED TOLERANCES: ANGULAR ± 1/2°	
	INCH METRIC
3 PLACE	± .005 ± 0.13
2 PLACE	± .01 ± 0.25
1 PLACE	± --- ± ---
DRAFT WHERE APPLICABLE MUST REMAIN WITHIN DIMENSIONS	
DRWG. BY RM	CHK'D. BY JM
APP'D. BY FP	SCALE 5: 1

REVISE ONLY ON CAD SYSTEM

TITLE
FLAG NON-INSULATED WITH INSULATION SUPPORT
.187X.020 & .032 TAB

molex ETC INC. PINELLAS PARK, FLA. 33781 U.S.A.		SHEET NO.	DATE
			03/06/90
PART NO.		DRWG. NO.	
		CUST. DRWG.	

FILE NAME CDFGS187	THIS DRAWING CONTAINS INFORMATION THAT IS PROPRIETARY TO MOLEX-ETC INC. AND SHOULD NOT BE USED WITHOUT WRITTEN PERMISSION.	DIV.	SIZE A
-----------------------	----------------------------------------------------------------------------------------------------------------------------	------	-----------

6

5

4

3

2

1