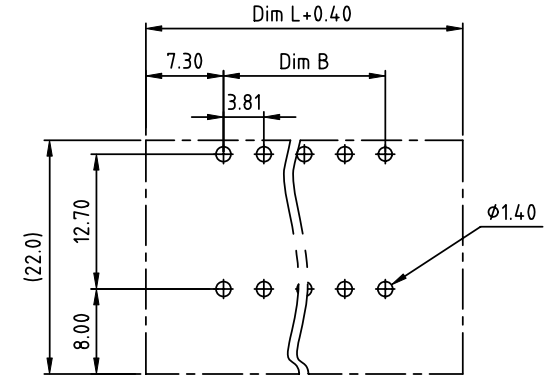
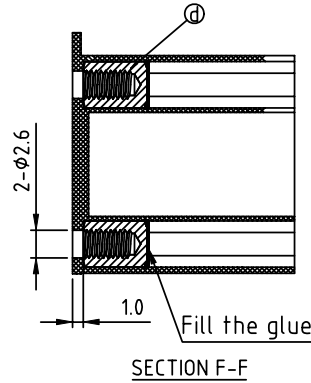
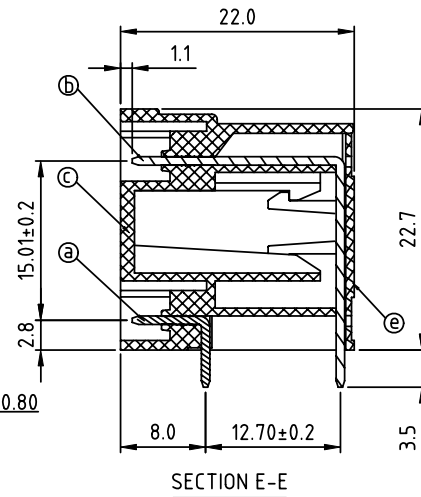
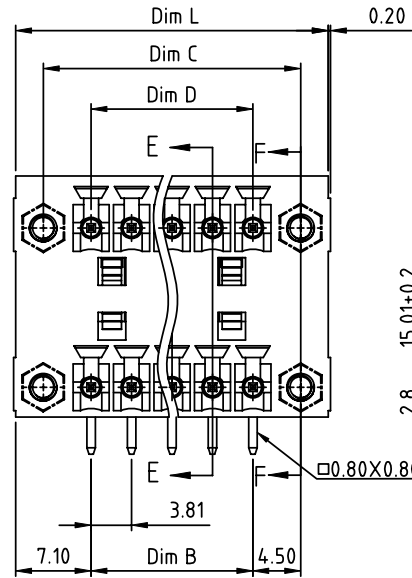


PRODUCT NUMBER	PITCH
VLxx32x100J0G	3.81 mm



RECOMMENDED P.C.B LAYOUT
TOP VIEW

- Material:
- Item① Short pin: Copper Tin plated
 - Item② Long pin: Copper Tin plated
 - Item③ Terminal(housing):Thermoplastic (UL94V-0)
 - Item④ With flange nut: Brass,M2.5
 - Item⑤ Terminal(cover):Thermoplastic (UL94V-0)

- Electrical: cULus
- Voltage rating: 300V
 - Current rating: 10A
 - Withstanding Voltage: 1.6 KV
 - Operating temperature: -40°C to +115°C
 - Soldering temperature: 260°C±5°C/5 Sec
 - Safety Approval:

N=Number of poles
 Dim L=(N/2-1)×3.81+14.2
 Dim B=(N/2-1)×3.81
 Dim C=(N/2-1)×3.81+9.0
 Dim D=(N/2-1)×3.81

Poles	Tolerance
2x2-2x6p	±0.15
2x7-2x12p	±0.25
2x13-2x18p	±0.35
2x19-2x24p	±0.40

PART NO.: VL xx 3 2 x 1 00J0 G

	Solid block	No. of poles	Color	RoHS compliant
	0	2	Black (RAL9005)	(lead<4%)
	2	3	Red (RAL3001/D)	In copper Alloy
	3	4	Orange(RAL2011/P)	
	4	5	Yellow(RAL1018/A)	
	5	6	Green(RAL6018/T)	
	6	8	Blue (RAL5015/A)	
	8	9	Grey(RAL7035/D)	
	9	9	White(RAL1102)	
	C	48	Green(RAL6018/U)	

mat'l. code		surface ASME Y14.5	tolerance ASME Y14.5	projection	product family TERMINAL BLOCK
ltr	ecn no	dr	date		title TERMINAL BLOCK
tolerances unless otherwise specified				MM	PLUGGABLE SOCKET, WITH FLANGE, RIGHT ANGLE
angles				scale	dwg no VLxx32x100J0G
X°±1°					sheet 1 of 1 size A4
dr EVIN ZHONG 042814					type CUSTOMER Drawing
enr EVIN ZHONG 042814					
chr HANKE FENG 042814					
appd SHI JUN 042814					
sheet index	revision sheet	A	1		