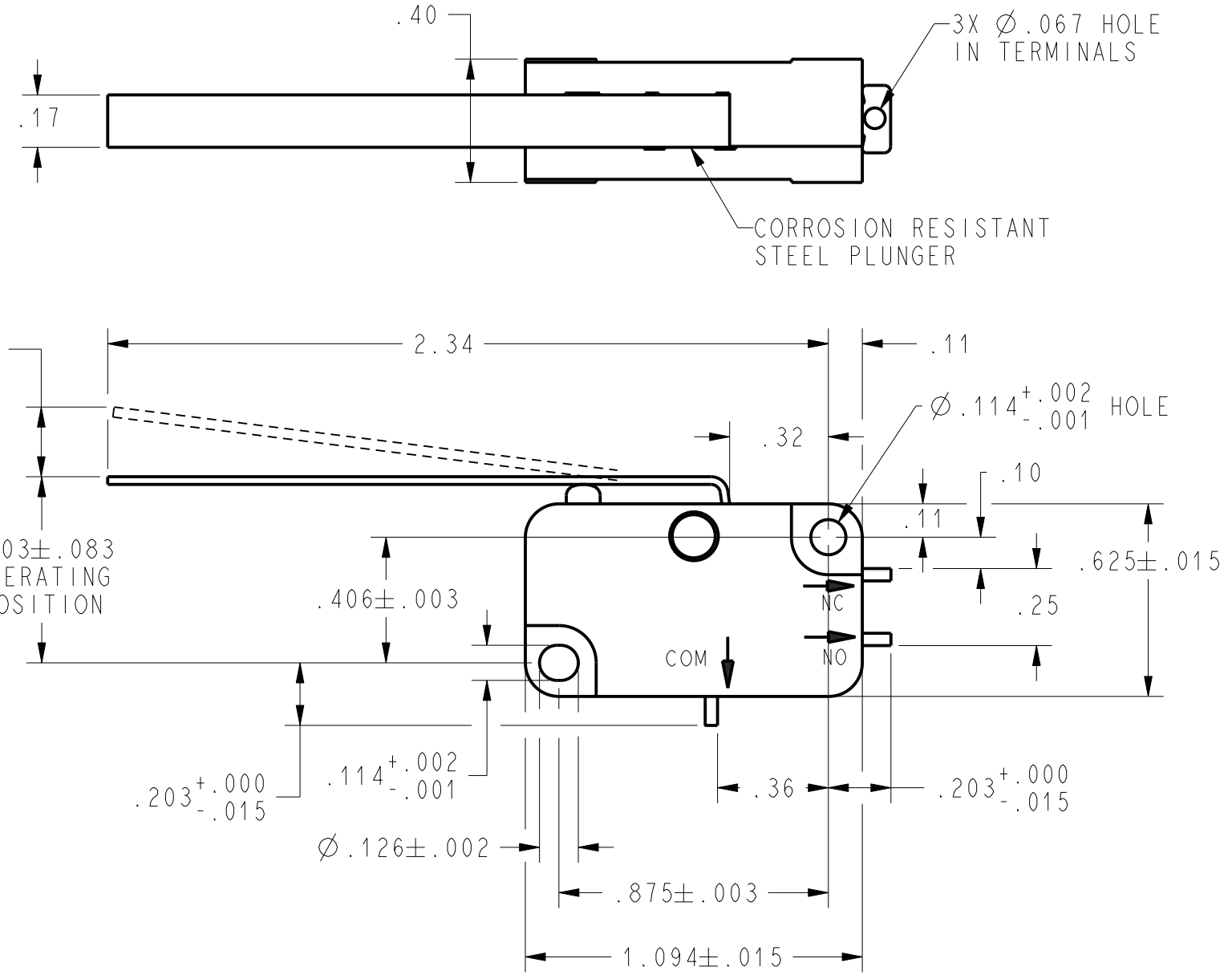


PRODUCT CODE
CQ-L9904

| REV | DOCUMENT | CHANGED BY | CHECK |
|-----|----------|-------------|-------|
| 4 | 200127 | SAV 17MAR00 | JAF |
| 5 | 0005782 | RJ 04JUN04 | AK |



- NOTES
- 1 - TERMINALS ARE PLATED FOR SOLDERING
 - 2 - IN INSPECTION, DO NOT BURN OUT - GOLD CONTACTS
 - 3 - IN INSPECTION, DO NOT EXCEED 10 VDC, .1A RESISTIVE LOAD
 - 4 - INSPECT SWITCH RESISTANCE PER CONTROL PLAN

| CHARACTERISTICS |
|------------------------------------|
| OPERATING FORCE ----- 5 OZ MAX |
| RELEASE FORCE ----- 1/2 OZ MIN |
| DIFFERENTIAL TRAVEL ----- .086 MAX |
| OVERTRAVEL ----- .092 MIN |
| RELEASE TRAVEL ----- .021 MIN |

| ELECTRICAL DATA |
|--------------------------------|
| CONTACT ARRANGEMENT S P D T |
| L22 1A 125 VAC |

| UNLESS OTHERWISE SPECIFIED TOLERANCES ARE: | US (inch) CUSTOMARY | SI (mm) METRIC |
|--|---------------------|----------------|
| NO PLACE | X | ±.040 ±1 |
| ONE PLACE | .X | ±.030 ±0,4 |
| TWO PLACE | .XX | ±.015 ±0,15 |
| THREE PLACE | .XXX | ±.005 ± |
| ANGLES | | ± |
| RAW MATERIAL-COMMERCIAL STANDARD | | ± |

THIRD ANGLE PROJECTION

| | | |
|--|------------------|---------|
| DRAWN | SAV | 17MAR00 |
| CHECK | JAF | 17MAR00 |
| THIS DRAWING COVERS A PROPRIETARY ITEM AND IS THE PROPERTY OF HONEYWELL. THIS DRAWING IS NOT TO BE COPIED OR USED WITHOUT THE PERMISSION OF HONEYWELL. | | |
| DIMENSIONS ARE TO BE MET BEFORE PROTECTIVE COATINGS ARE APPLIED | | |
| PTC 2D | ASME Y14.5M-1994 | |

| | | | |
|----------------------------------|----------------|-----------------|----------|
| Honeywell | | | |
| TITLE SWITCH - BASIC - | | | |
| SIZE | DWG TYPE | DRAWING NAME | REV |
| B | M | V3L-1078 | 5 |
| SCALE 2 : 1 | WEIGHT .015 LB | SHEET 1 OF 1 | |