

**FEATURES**

- Circular Active Area
- Ideal for 225-400 nm Detection
- 100% Internal QE
- Welded Cap with UV Glass Window

**Electro-Optical Characteristics at 25°C**

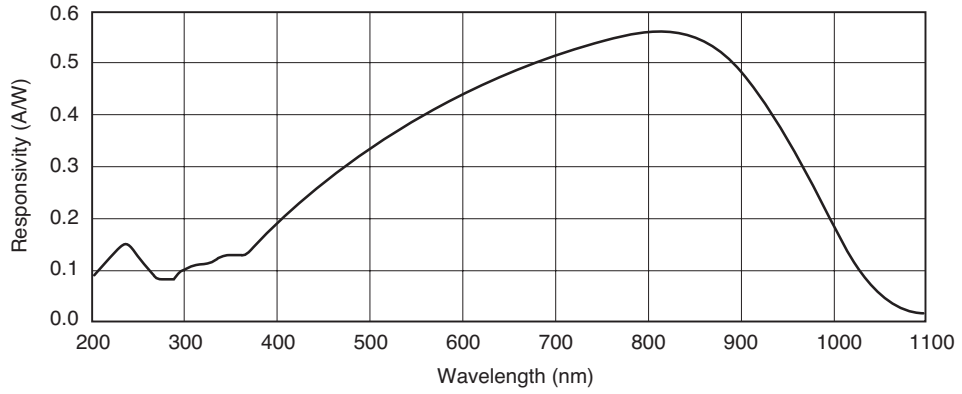
Parameters	Test Conditions	Min	Typ	Max	Units
Active Area	Φ 2.5 mm		5		mm <sup>2</sup>
Responsivity	@ 254 nm, V <sub>R</sub> = 0 V	0.09	0.115		A/W
Dark Current, I <sub>dr</sub>	V <sub>R</sub> = 6 V			1	nA
Reverse Breakdown Voltage, V <sub>R</sub>	I <sub>R</sub> = 1 μA	25	50		Volts
Capacitance, C	V <sub>R</sub> = 0 V		500	1500	pF
Response Time	V <sub>R</sub> = 0 V		1	2	μsec

**Thermal Parameters**

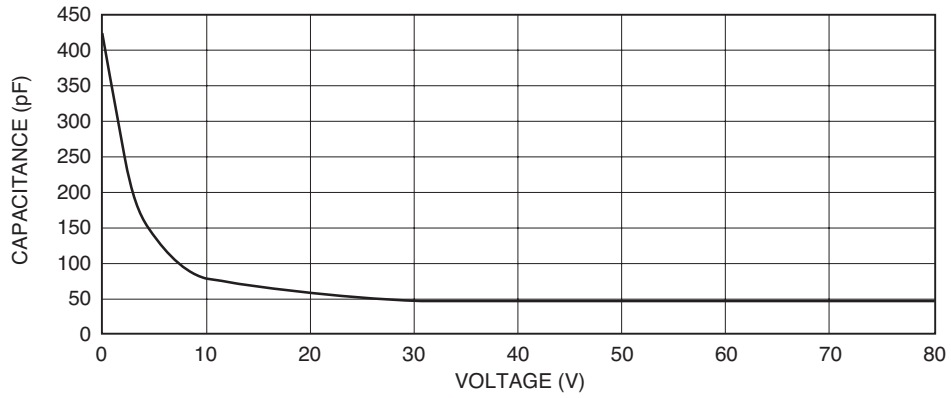
Storage and Operating Temperature Range	Units
Storage Temperature Range	-20°C to 80°C
Lead Soldering Temperature <sup>1</sup>	240°C

<sup>1</sup>0.0625" from case for 10 seconds.

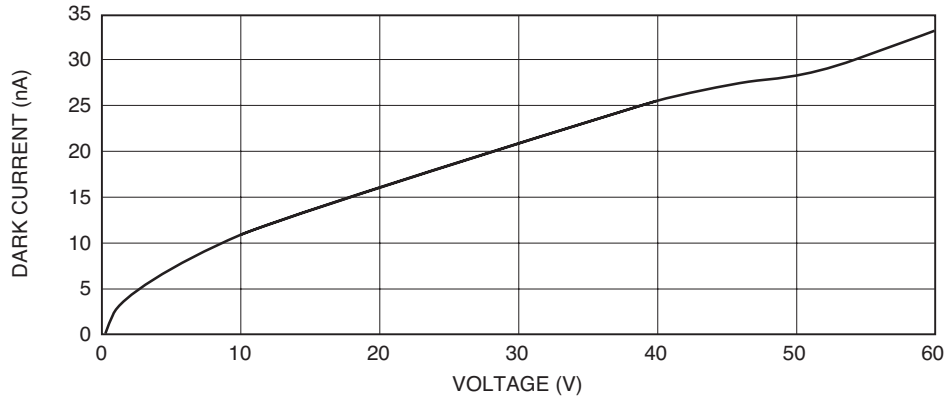
**Typical Photon Responsivity**



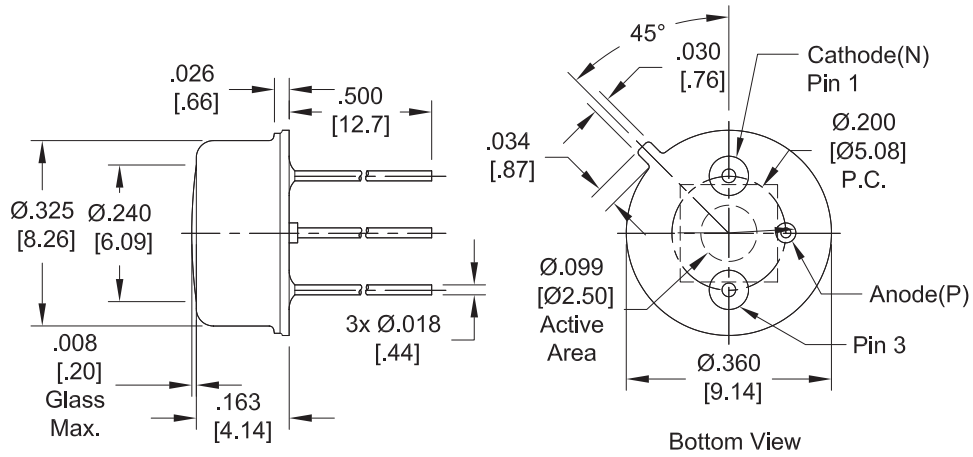
**Capacitance vs. Voltage**



**Dark Current vs. Voltage**



**Package Information**



Dimensions are in inch [metric] units.

Specifications are subject to change without prior notice.