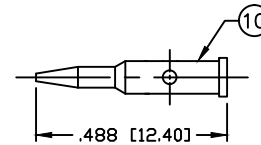
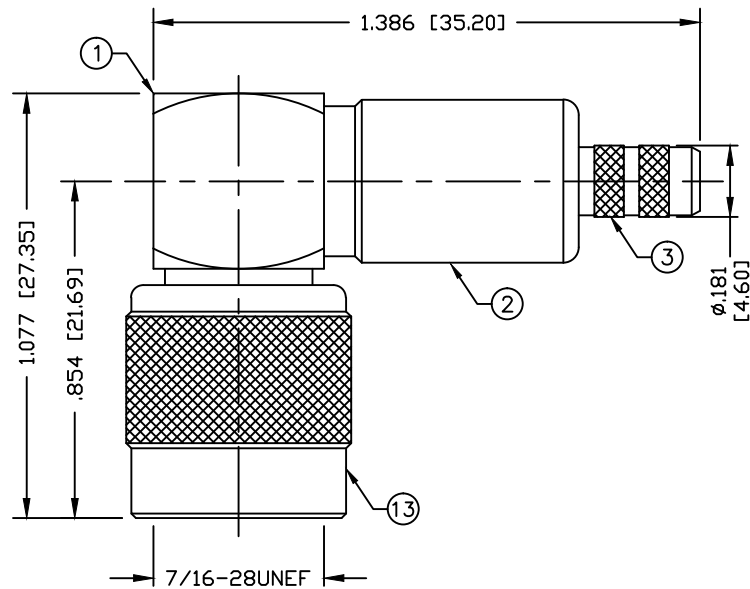


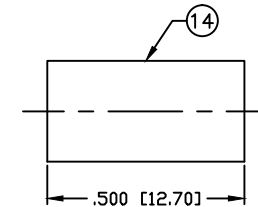
PART NO.

**RFT-1218**

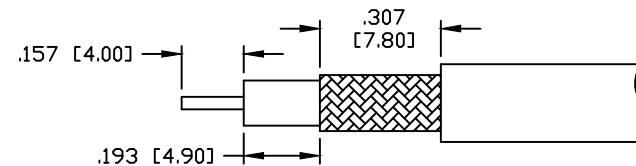
REV	DESCRIPTION	DWN	DATE	APPROVED
F	CORRECT CABLE GROUP LIST	CZS	05/01/19	JDMc



RECOMMENDED CRIMP DIE: .068"



RECOMMENDED CRIMP DIE: .213"



RECOMMENDED STRIPPING DIMENSIONS

SPECIFICATIONS:

IMPEDANCE: 50 Ohms  
 FREQUENCY RANGE: 0-7 GHz  
 WORKING VOLTAGE: 500 Vrms  
 INSULATION RESISTANCE: 5k M ohms min.  
 TEMPERATURE RANGE: -65°C TO +85°C  
 FOR RG-58, 58A, 58C, 141, 141A, BELDEN 8240, 9907  
 8259, 8262, 9201, 9203, 9310, 9311 & COMM/SCOPE 0268

14	FERRULE	1	COPPER	NICKEL
13	SHELL	1	BRASS	NICKEL
12	COVER	1	BRASS	NICKEL
11	WASHER	1	BRASS	NICKEL
10	PIN	1	BRASS	GOLD
9	BUSHING	1	DELFIN	----
8	RING	1	BRASS	NICKEL
7	GASKET	1	RUBBER	RED
6	INSULATOR	1	PTFE	----
5	CONTACT	1	PHOSPHOR BRONZE	GOLD
4	INSULATOR	1	PTFE	----
3	FERRULE STUD	1	BRASS	NICKEL
2	PRESS BODY	1	BRASS	NICKEL
1	BODY	1	BRASS	NICKEL
#	DESCRIPTION	QTY	MATERIAL	FINISH

CUSTOMER  
OUTLINE DRAWINGALL DIMENSIONS  
ARE REFERENCE ONLYUNLESS OTHERWISE SPECIFIED:  
DIMENSIONS ARE IN INCHES  
AND [MILLIMETERS]DRAWN  
C. ZUNIGA 05/01/19  
CHECKEDORJ DRAWN  
K. MAXWELL 10/3/94**RoHS  
COMPLIANT**

PROPRIETARY AND CONFIDENTIAL  
 THIS DRAWING CONTAINS  
 INFORMATION PROPRIETARY TO  
 RF INDUSTRIES. ANY  
 UNAUTHORIZED USE OF THIS  
 DRAWING IS EXPRESSLY  
 PROHIBITED WITHOUT WRITTEN  
 PERMISSION FROM RF  
 INDUSTRIES. ANY VIOLATION IS  
 PUNISHABLE UNDER U.S.  
 COPYRIGHT LAWS.

**RFconnectors**

DIVISION OF RF INDUSTRIES, LTD. (858) 549-6345 FAX

RFINDUSTRIES.COM  
 7610 MIRAMAR RD.  
 SAN DIEGO, CA 92126  
 (858) 549-6340

**TNC PLUG CRIMP**  
 RIGHT ANGLE

CABLE GROUP	DWG NO.	REVISION
C	<b>RFT-1218</b>	F
FORMAT	SCALE	ENGINEERING ID
A	NTS	N/A
		SHEET 1 OF 1