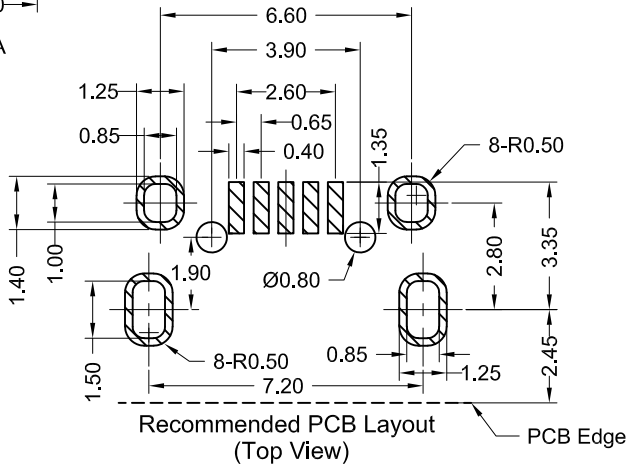
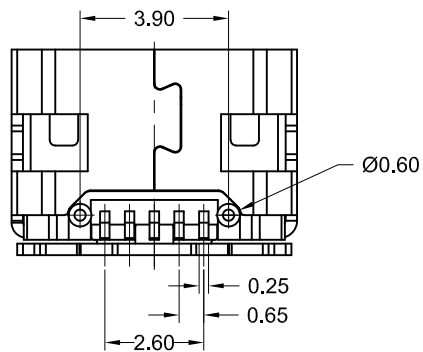
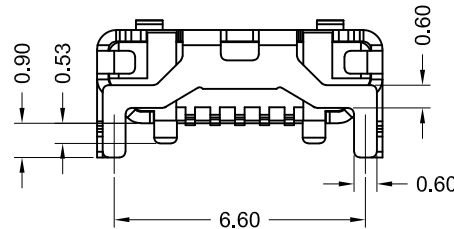


Section A - A



Recommended PCB Layout (Top View)

Material and Finish

Insulator: High Temperature, Thermoplastic, UL 94V-0 Rated, Black Color

Shell: Steel, Tin Plated

Contact Material: Brass

Contact Plating Options:

Flash Option: Gold Flash on Contact Area, Gold Flash on Solder Tails, All over Nickel Underplate

30 Option: 30u" Gold Plated on Contact Area, Gold Flash on Solder Tails, All over Nickel Underplate

Electrical Characteristics

Rated Current: 1A

Rated Voltage: 30V AC/DC

Contact Resistance: 30 milliohms Max.

Dielectric Withstanding Voltage: 100V AC For 1 Minute

Mechanical Characteristics

Durability: 10,000 Mating Cycles Min.

Operating Temperature: -30°C to +80°C

Part Number	Contact Area Plating Finish	Packaging
KMMX-BSMT35S-BTR	Gold Flash (Flash Option)	Tape & Reel
KMMX-BSMT35S-B30TR	30u" Gold (30 Option)	Tape & Reel

Tolerances
X.X ± 0.35
X.XX ± 0.25
Unless Stated Otherwise



REV.	DATE	DESCRIPTION	REV. BY	CHK. BY	DRAWN BY	DATE
A0	08/03/12	New Drawing	S. Vien	P. DalCanto		
A1	09/10/12	Change Part Number	P. DalCanto	N/A	S. Vien	07/17/12
A2	01/16/13	Release Drawing	D. Gih	N/A		
A3	04/26/13	ECO #13-019	W. Cook	P. DalCanto		
A4	12/04/15	Update PCB Dimension	H. MA	W. Cook		
A5	03/20/19	ECO #19-029	G. Serrato	D. Shehan		

KMMX-BSMT35S-BTR

Micro USB Type B, SMT Contacts, RoHS Compliant

Long Thru Hole Shield Tabs, 5 Pin, Tape & Reel

