

LAYOUT SHOWN AS EXAMPLE

Keying Shown as example

CHARACTERISTICS

- Standard : Based on MIL-DTL-38999 Series III
- Shell Material : Aluminium
- Shell Plating : Olive drab Cadmium
- Insulator : Thermoplastic
- Contacts : Copper Alloy
- Seals & Grommet : Silicon Elastomer
- Contact Plating : Gold over copper Alloy 0.8µm minimum
- Durability : 500 Mating cycles
- Delivered with Souriau contacts and Accessories
- Temperature Range : -65°C to +175°C
- Salt Spray : 500 hours

| Connector dimension | |
|---------------------|-----------------|
| Dim | Nominal |
| A | 49.2±0.3 |
| B | 33.32+0.1/-0.15 |
| R | 32.5Max |
| S | 46±0.4 |
| W | 3+0.9/-0.1 |
| VV THREAD | M28x1-6g |

SOURIAU shall not be liable for any non-conformity or damage due to a use of the Products which does not comply with the Specifications issued by either of the Parties or by a third party (professional recommendation, technical notice.)

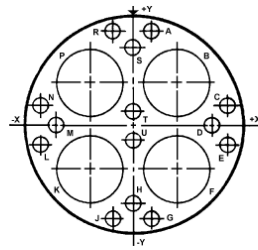
| | |
|---------|-----------------------------|
| Country | Jurisdiction & Control List |
| FR | Not Listed |

PN: 8D719W18SD

| | | | |
|--------------|---|--------------------------------|---|
| A | 30-09-2016 | First Release | |
| ISS | DATE | Latest modification - by | MOD N° |
| Designed By: | | Date: | CUSTOMER DRAWING |
| TITLE | Aluminium Receptacle 8D series | | |
| SCALE | | General linear Tolerances: ±-- | NPRDS / PROJECT 859 |
| NA | SOURIAU WWW.SOURIAU.COM | | This document is the property of SOURIAU it must not be reproduced or communicated without permission |
| FORMAT | A3 | | SOURIAU DRG N° 8D719W18SD-C SHEET 1/2 |

| | | | | | | | | | |
|----------------|------------------------------------|---|---|----|---|----|---|---|-----------------|
| BASIC SERIES: | 8D | 7 | - | 19 | W | 18 | S | D | ORIENTATION : D |
| SHELL TYPE : | Jam nut Receptacle | | | | | | | | |
| CONTACT TYPE : | Standard Crimp Contact | | | | | | | | |
| SHELL SIZE : | 19 | | | | | | | | |
| PLATING : | W = Olive drab Cadmium | | | | | | | | |
| | CONTACT TYPE : SOCKET(500 Matings) | | | | | | | | |
| | CONTACT LAYOUT : 19-18 | | | | | | | | |

Contact Layout



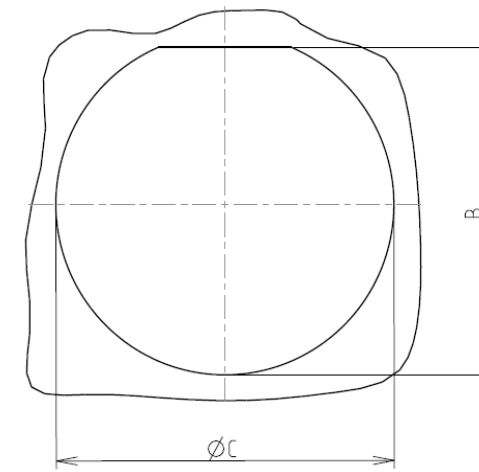
(Inactive for new design for MIL-DTL-38999. For new design, use arrangement no. 19-19.)

| Contacts (Insert arrangement 19-18) | | | | | |
|--|-------------|-------------|---------------------|-------------|-------------|
| Contact position ID | LOCATION | | Contact position ID | LOCATION | |
| | X-axis (mm) | Y-axis (mm) | | X-axis (mm) | Y-axis (mm) |
| A | +068 (1.73) | +380 (9.65) | K | -180 (4.57) | -180 (4.57) |
| B | +180 (4.57) | +180 (4.57) | L | -377 (9.58) | -065 (1.65) |
| C | +377 (9.58) | +065 (1.65) | M | -317 (8.05) | +000 (0.00) |
| D | +317 (8.05) | +000 (0.00) | N | -377 (9.58) | +065 (1.65) |
| E | +377 (9.58) | -065 (1.65) | P | -180 (4.57) | +180 (4.57) |
| F | +180 (4.57) | -180 (4.57) | R | -068 (1.73) | +380 (9.65) |
| G | +068 (1.73) | -380 (9.65) | S | +000 (0.00) | +319 (8.10) |
| H | +000 (0.00) | -319 (8.10) | T | +000 (0.00) | +044 (1.12) |
| J | -068 (1.73) | -380 (9.65) | U | +000 (0.00) | -044 (1.12) |

| Shell size | Arrangement No. | Number of contacts | Size contacts | Service rating | Contact location | Standard contact | |
|------------|-----------------|--------------------|---------------|----------------|------------------|------------------|---------------|
| | | | | | | Pin | Socket |
| 19 | 18 | 4 | 8 (see note) | Twinax | B, F, K, P | M39029/90-529 | M39029/91-530 |
| | | 14 | ZZD | M | All others | M39029/58 | M39029/56 |

Panel cutout

JAM NUT RECEPTACLE (TYPE 7)



| Dim | Nominal |
|-----|---------------|
| B | 33.91+0/-0.25 |
| ØC | 35.18+0.25/-0 |

SOURIAU shall not be liable for any non-conformity or damage due to a use of the Products which does not comply with the Specifications issued by either of the Parties or by a third party (professional recommendation, technical notice.)

| Country | Jurisdiction & Control List |
|---------|-----------------------------|
| FR | Not Listed |

PN: 8D719W18SD

| | | | |
|----------------|------------------------------------|----------------------------|---|
| A | 30-09-2016 | First Release | |
| ISS | DATE | Latest modification - by | MOD N° |
| Designed By: | | Date: | CUSTOMER DRAWING |
| TITLE | Aluminium Receptacle 8D series | | |
| SCALE | | General linear Tolerances: | NPRDS / PROJECT |
| NA | | ±-- | 859 |
| SOURIAU | WWW.SOURIAU.COM | | This document is the property of SOURIAU it must not be reproduced or communicated without permission |
| FORMAT | SOURIAU DRG N° 8D719W18SD-C | | SHEET 2/2 |