

NOTES :

1. MATERIAL :

- 1.1 HOUSING : THERMOPLASTIC(LCP), HIGH TEMP., UL94V-0; COLOR : BLACK.
- 1.2 I/M : THERMOPLASTIC(LCP), HIGH TEMP., UL94V-0; COLOR : BLACK.
- 1.3 BASE : THERMOPLASTIC(LCP), HIGH TEMP., UL94V-0; COLOR : BLACK.
- 1.4 COVER : THERMOPLASTIC(LCP), HIGH TEMP., UL94V-0; COLOR : BLACK.
- 1.5 CONTACT : COPPER ALLOY
- 1.6 SHELL : STAINLESS

2. FINISH :

- 2.1 CONTACT : SEE ORDER INFORMATION.  
SOLDER : MATTE TIN PLATING 100u"MIN.  
UNDERPLATING : 50"MIN. NICKEL OVERALL.
- 2.2 SHELL : 50u" MIN. NICKEL UNDERPLATED OVERALL.

3. REFLOW SOLDER CAPABLE TO 260°C

PER ACES SPEC.

4. SPEC. PLS. REFER TO PS-52729-XXXX-XXX

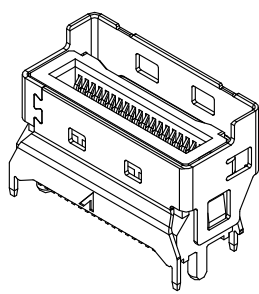
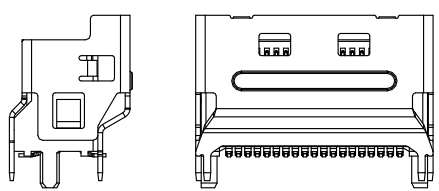
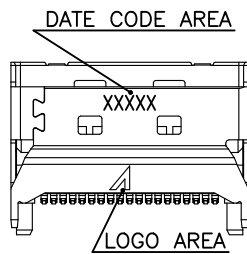
5. PART NUMBER :

52729-XXX X X-0 X X

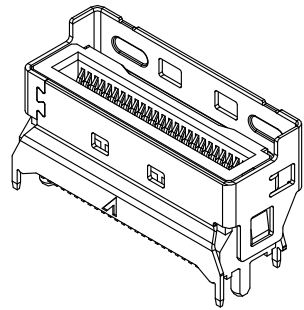
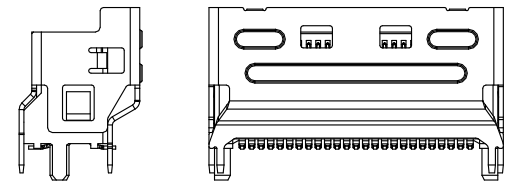
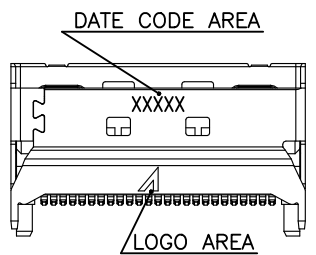
PACKING	SHELL PIN LENGTH OPTION(DIM. A)
0: TAPE & REEL W/O COVER	1: 1.50mm
7: TAPE & REEL WITH COVER	2: 2.20mm
PLATING	3: 3.00mm
C: 15u" GOLD PLATING	4: 4.20mm
D: 30u" GOLD PLATING	5: 1.20mm(SHELL PIN AND HOUSING POST)
CKTS	6: 1.85mm
038: 38P(4X+SIDE BAND OR 6X)	7: 1.50mm(HOUSING POST 1.20mm)
074: 74P(8X+SIDE BAND OR 12X)	CONNECTOR SPEED
050: 50P(6X+SIDE BAND OR 8X)	1: PCIE GEN 4
124: 124P(16X+SIDE BAND OR 20X)	2: PCIE GEN 5
148: 148P(20X+SIDE BAND OR 24X)	3: PCIE GEN 5 920HM

PART NUMBER	CKTS (N)	DIM. B	DIM. C	DIM. D	DIM. E	DIM. F	DIM. G
52729-038XX-XXX	38	11.68	15.00	10.80	13.50	14.55	13.55
52729-050XX-XXX	50	15.28	18.60	14.40	17.10	18.15	17.15
52729-074XX-XXX	74	22.48	25.80	21.60	24.30	25.35	24.35

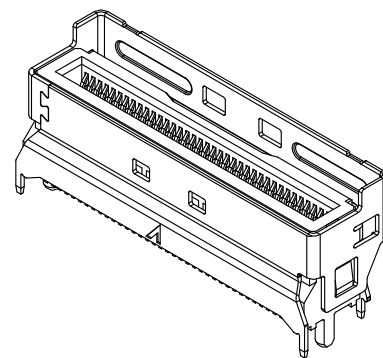
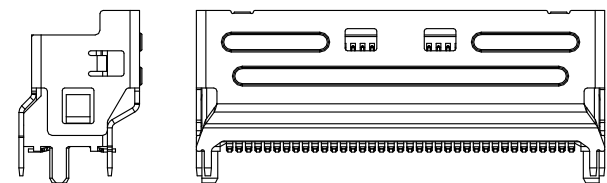
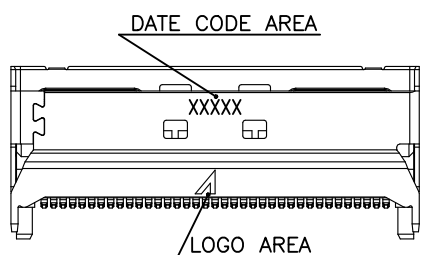
QUALITY SYMBOLS	DRAWN BY	DATE	
MAJOR Ⓢ	Wu, Chu Cheng	22'/08/24	
CRITICAL Ⓢ	CHECKED BY	DATE	<b>TITLE</b> MINI COOL EDGE IO INTEGRATED CONNECTOR VERTICAL, 0.6 PITCH FOR PCIE, SMT TYPE
GENERAL TOLERANCES (UNLESS SPECIFIED)	Huang, Kuo Hua	22'/08/24	
X ±0.5	APPROVED BY	DATE	SIZE
.X ±0.25	Huang, Kuo Hua	22'/08/24	A4
.XX ±0.15	UNITS	mm	RPQ NO.
.XXX ±0.1	SCALE	2 : 1	2010058
ANGLES ±2°	SHEET NO.	1 OF 7	REV
	DWG NO.	B	52729-XXXXX-XXX



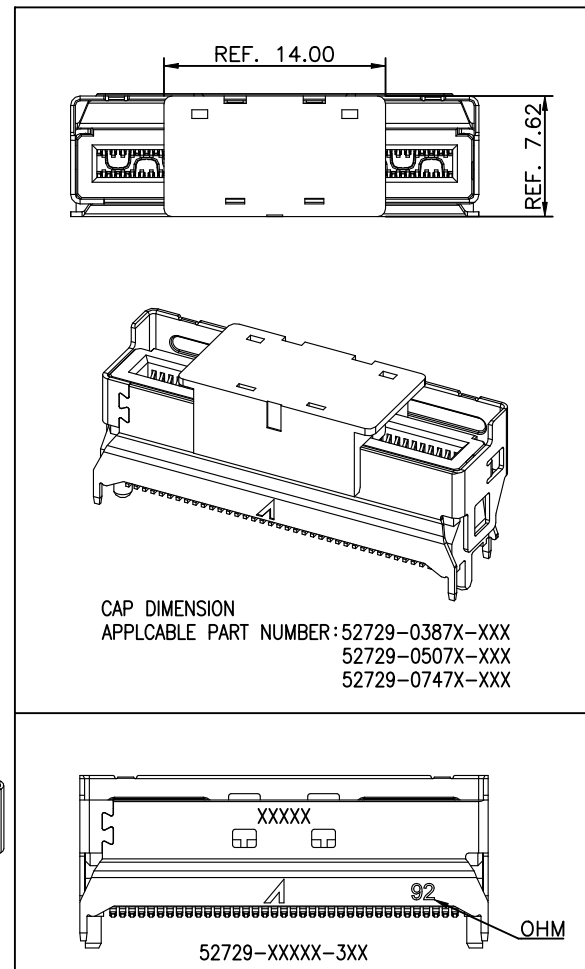
52729-038XX-XXX



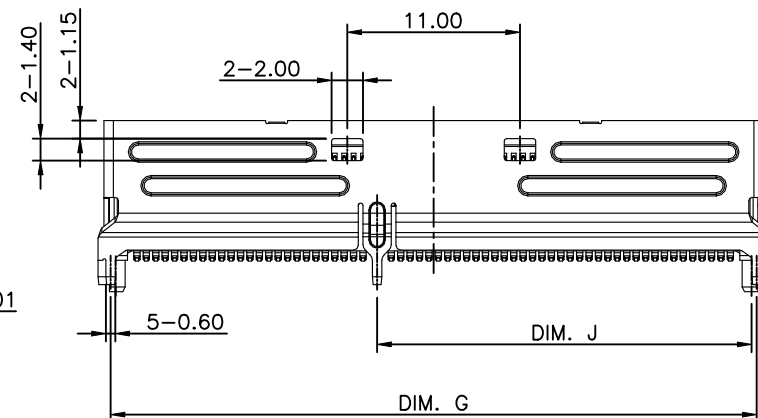
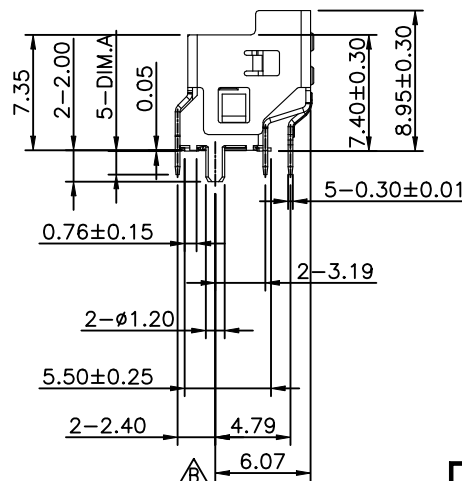
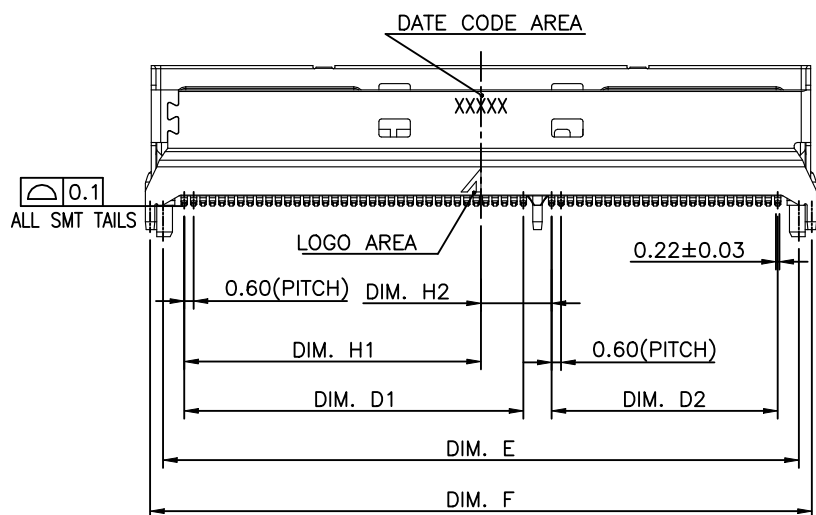
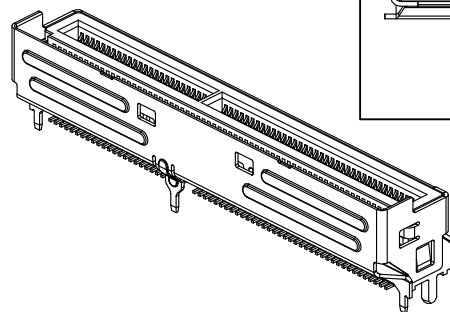
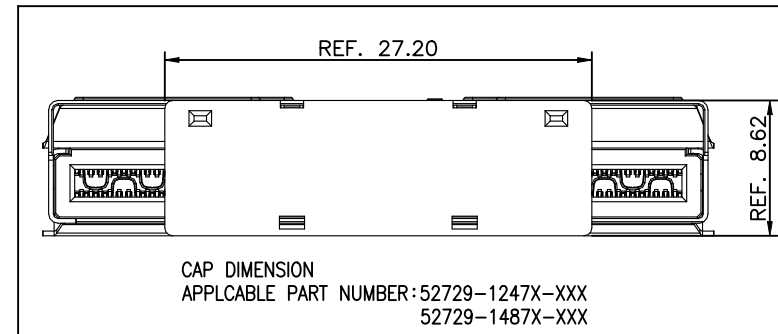
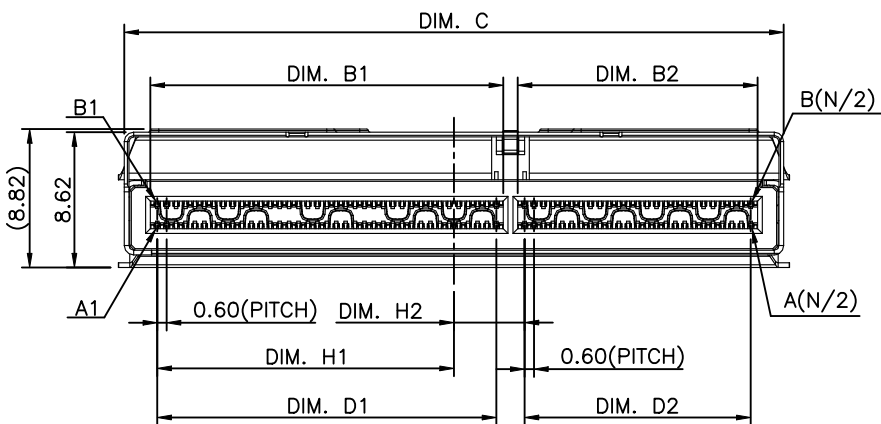
52729-050XX-XXX



52729-074XX-XXX



<b>QUALITY SYMBOLS</b> MAJOR Ⓢ CRITICAL Ⓢ <b>GENERAL TOLERANCES (UNLESS SPECIFIED)</b> X ±0.5 .X ±0.25 .XX ±0.15 .XXX ±0.1 ANGLES ±2°	<b>DRAWN BY</b> Wu, Chu Cheng	<b>DATE</b> 22/08/24		<b>TITLE</b> MINI COOL EDGE IO INTEGRATED CONNECTOR VERTICAL, 0.6 PITCH FOR PCIE, SMT TYPE	
	<b>CHECKED BY</b> Huang, Kuo Hua	<b>DATE</b> 22/08/24			<b>SIZE</b> A4
	<b>APPROVED BY</b> Huang, Kuo Hua	<b>DATE</b> 22/08/24			<b>REV</b> B
	<b>UNITS</b> mm		<b>RFG NO.</b> 2010058		
	<b>SCALE</b> 2 : 1	<b>SHEET NO.</b> 2 OF 7	<b>DWG NO.</b> 52729-XXXX-XXX		

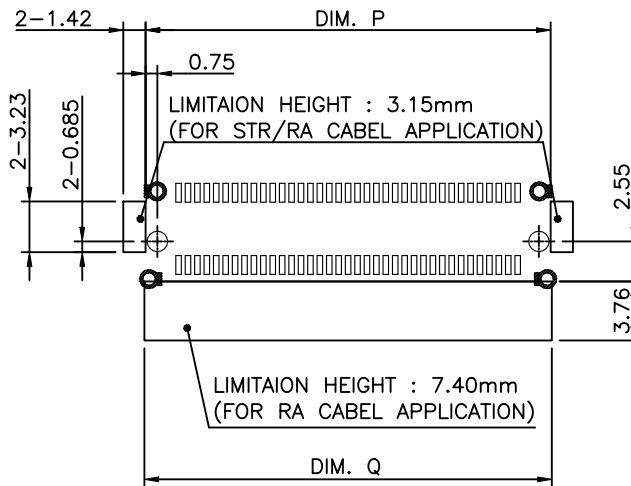


PART NUMBER	CKTS (N)	DIM. B1	DIM. B2	DIM. C	DIM. D1	DIM. D2	DIM. E	DIM. F	DIM. G	DIM. H1	DIM. H2	DIM. J
52729-124XX-XXX	124	22.48	15.28	42.00	21.60	14.40	40.50	42.15	41.15	18.90	4.50	23.85
52729-148XX-XXX	148	22.48	22.48	49.20	21.60	21.60	47.70	49.35	48.35	22.50	0.90	23.85

<b>QUALITY SYMBOLS</b> MAJOR Ⓢ CRITICAL Ⓢ <b>GENERAL TOLERANCES (UNLESS SPECIFIED)</b> X ±0.5 .X ±0.25 .XX ±0.15 .XXX ±0.1 ANGLES ±2°	DRAWN BY Wu, Chu Cheng	DATE 22'/08/24		<b>TITLE</b> MINI COOL EDGE 10 INTEGRATED CONNECTOR VERTICAL, 0.6 PITCH FOR PCIE, SMT TYPE
	CHECKED BY Huang, Kuo Hua	DATE 22'/08/24		
	APPROVED BY Huang, Kuo Hua	DATE 22'/08/24		
	UNITS mm	SIZE A4		
SCALE 2 : 1	SHEET NO. 3 OF 7	REV B	DWG NO. 52729-XXXXX-XXX	

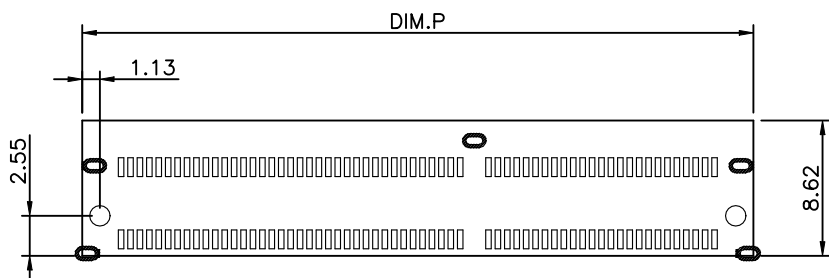


COMPONENTS KEEP OUT AREA  
LIMITATION HEIGHT: 0mm

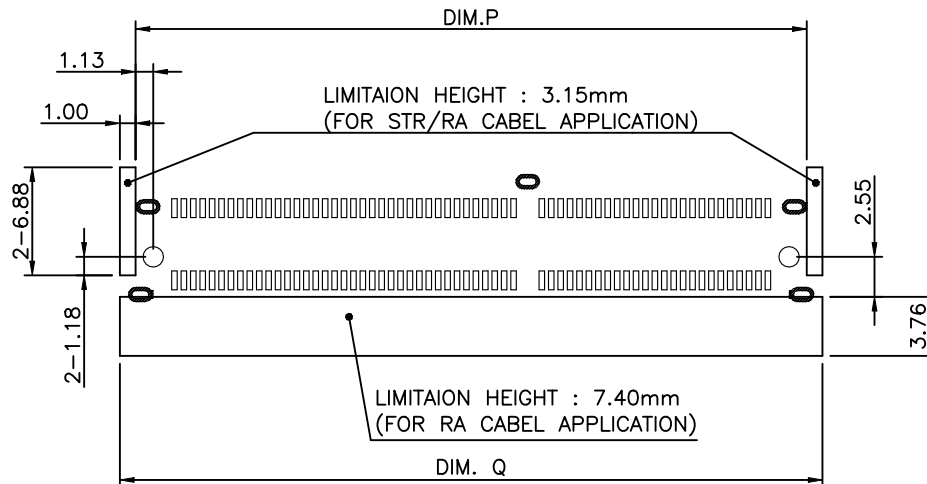


COMPONENTS KEEP OUT AREA

PART NUMBER	CKTS (N)	DIM. P	DIM. Q
52729-038XX-XXX	38	15.00	15.15
52729-050XX-XXX	50	18.60	18.75
52729-074XX-XXX	74	25.80	25.95



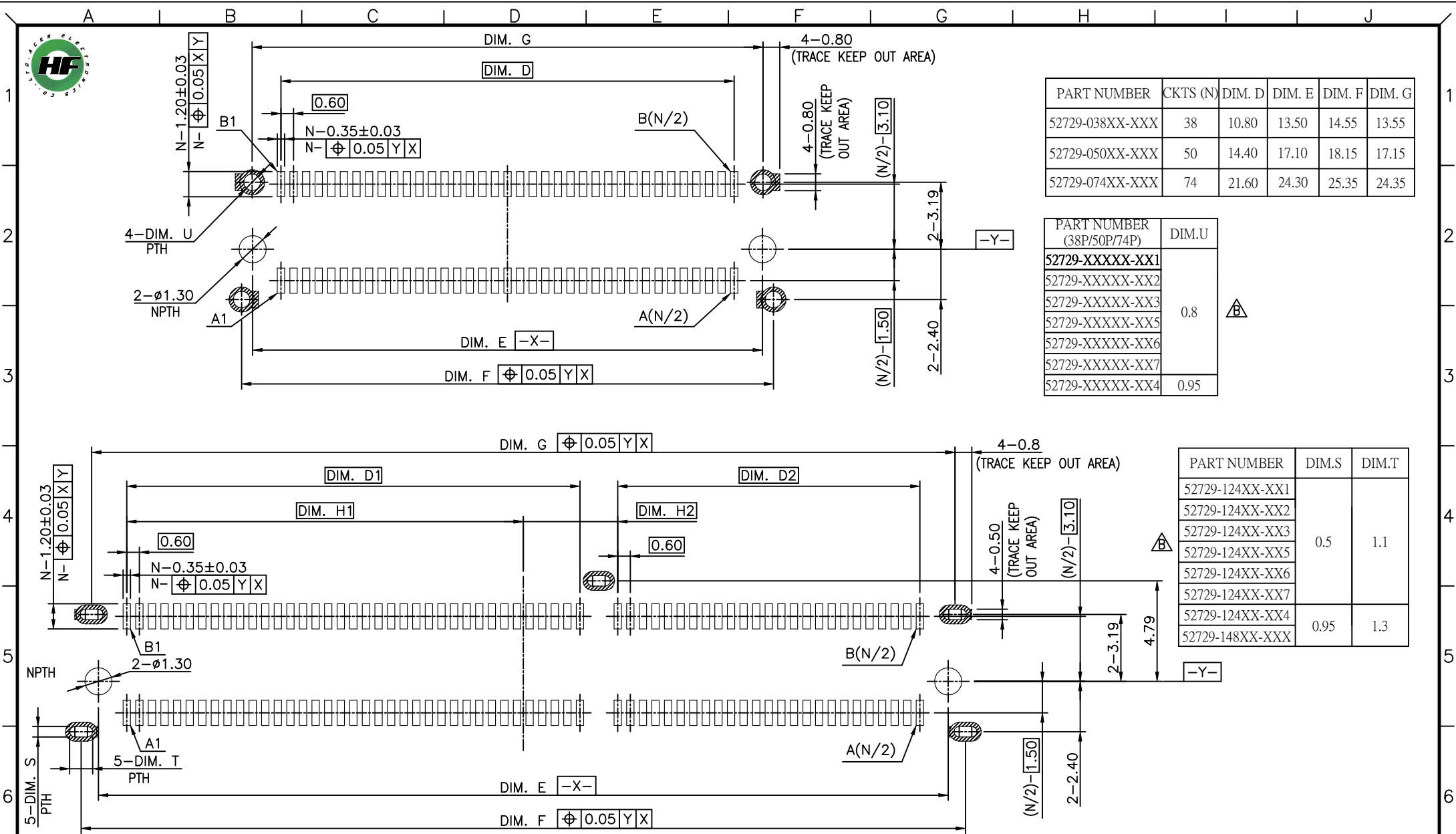
COMPONENTS KEEP OUT AREA  
LIMITATION HEIGHT: 0mm



COMPONENTS KEEP OUT AREA

PART NUMBER	CKTS (N)	DIM. P	DIM. Q
52729-124XX-XXX	124	42.75	44.75
52729-148XX-XXX	148	49.95	51.95

<b>QUALITY SYMBOLS</b> MAJOR Ⓢ CRITICAL Ⓢ <b>GENERAL TOLERANCES</b> (UNLESS SPECIFIED) X ±0.5 .X ±0.25 .XX ±0.15 .XXX ±0.1 ANGLES ±2°	<b>DRAWN BY</b> Wu, Chu Cheng	<b>DATE</b> 22'/08/24	
	<b>CHECKED BY</b> Huang, Kuo Hua	<b>DATE</b> 22'/08/24	
<b>APPROVED BY</b> Huang, Kuo Hua	<b>DATE</b> 22'/08/24	<b>UNITS</b> mm	<b>SIZE</b> A4
<b>SCALE</b> NA	<b>SHEET NO.</b> 4 OF 7	<b>REV</b> B	<b>RPQ NO.</b> 2010058
			<b>DWG NO.</b> 52729-XXXXX-XXX



PART NUMBER	CKTS (N)	DIM. D	DIM. E	DIM. F	DIM. G
52729-038XX-XXX	38	10.80	13.50	14.55	13.55
52729-050XX-XXX	50	14.40	17.10	18.15	17.15
52729-074XX-XXX	74	21.60	24.30	25.35	24.35

PART NUMBER (38P/50P/74P)	DIM.U
52729-XXXXX-XX1	0.8
52729-XXXXX-XX2	
52729-XXXXX-XX3	
52729-XXXXX-XX5	
52729-XXXXX-XX6	
52729-XXXXX-XX7	
52729-XXXXX-XX4	0.95

PART NUMBER	DIM.S	DIM.T
52729-124XX-XX1	0.5	1.1
52729-124XX-XX2		
52729-124XX-XX3		
52729-124XX-XX5		
52729-124XX-XX6		
52729-124XX-XX7		
52729-124XX-XX4		
52729-148XX-XXX	0.95	1.3

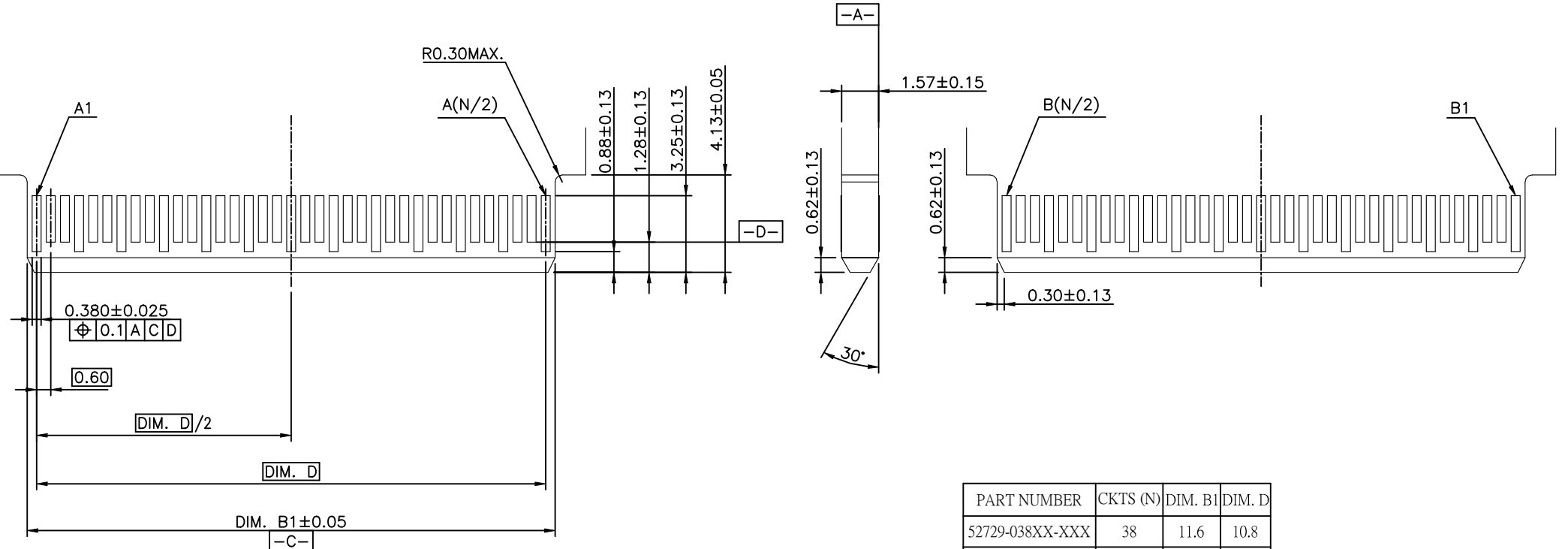
RECOMMENDED PCB LAYOUT(TOP VIEW)  
(GENERAL TOLERANCES : ±0.05)

PART NUMBER	CKTS (N)	DIM. D1	DIM. D2	DIM. E	DIM. F	DIM. G	DIM. H1	DIM. H2
52729-124XX-XXX	124	21.60	14.40	40.50	42.15	41.15	18.90	4.50
52729-148XX-XXX	148	21.60	21.60	47.70	49.35	48.35	22.50	0.90

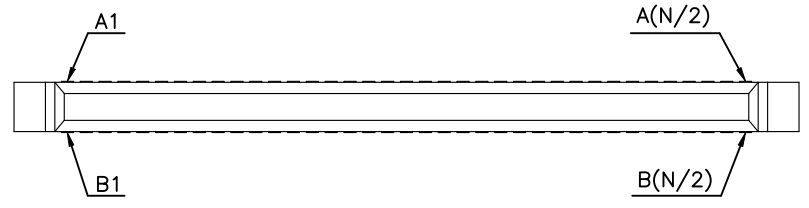
QUALITY SYMBOLS  
 MAJOR Ⓢ  
 CRITICAL Ⓢ  
 GENERAL TOLERANCES (UNLESS SPECIFIED)  
 X ±0.5  
 .X ±0.25  
 .XX ±0.1  
 .XXX ±0.1  
 ANGLES ±2°

DRAWN BY Wu, Chu Cheng 22'/08/24  
 CHECKED BY Huang, Kuo Hua 22'/08/24  
 APPROVED BY Huang, Kuo Hua 22'/08/24  
 UNITS mm  
 SCALE NA  
 SHEET NO. 5 OF 7

ACES ELECTRONICS  
 TITLE MINI COOL EDGE IO INTEGRATED CONNECTOR VERTICAL, 0.6 PITCH FOR PCIE, SMT TYPE  
 SIZE A4  
 REV B  
 RFP NO. 2010058  
 DWG NO. 52729-XXXXX-XXX

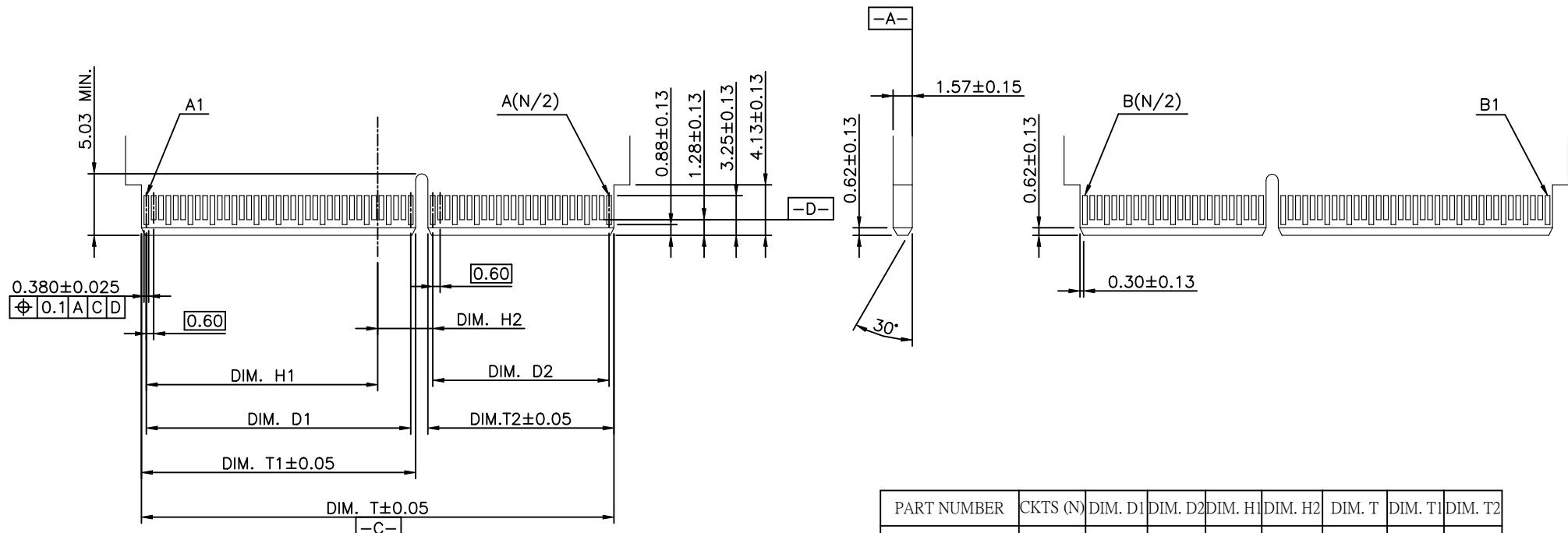


PART NUMBER	CKTS (N)	DIM. B1	DIM. D
52729-038XX-XXX	38	11.6	10.8
52729-050XX-XXX	50	15.2	14.4
52729-074XX-XXX	74	22.4	21.6

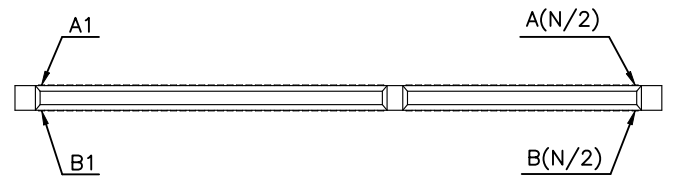


RECOMMENDED AIC MATING CARD DIMENSIONS(1 PORT)  
 GENERAL TOLERANCES : ±0.05

<b>QUALITY SYMBOLS</b> MAJOR Ⓢ CRITICAL Ⓢ <b>GENERAL TOLERANCES</b> (UNLESS SPECIFIED) X ±0.5 .X ±0.25 .XX ±0.15 .XXX ±0.1 ANGLES ±2°	<b>DRAWN BY</b> Wu, Chu Cheng	<b>DATE</b> 22'08/24		<b>TITLE</b> MINI COOL EDGE IO INTEGRATED CONNECTOR VERTICAL, 0.6 PITCH FOR PCIE, SMT TYPE		
	<b>CHECKED BY</b> Huang, Kuo Hua	<b>DATE</b> 22'08/24			<b>SIZE</b> A4	<b>RFQ NO.</b> 2010058
	<b>APPROVED BY</b> Huang, Kuo Hua	<b>DATE</b> 22'08/24				<b>REV</b> B
	<b>UNITS</b> mm	<b>SCALE</b> NA			<b>SHEET NO.</b> 6 OF 7	<b>DWG NO.</b> 52729-XXXXX-XXX



PART NUMBER	CKTS (N)	DIM. D1	DIM. D2	DIM. H1	DIM. H2	DIM. T	DIM. T1	DIM. T2
52729-124XX-XXX	124	21.60	14.40	18.90	4.50	38.6	22.4	15.2
52729-148XX-XXX	148	21.60	21.60	22.50	0.90	45.8	22.4	22.4



RECOMMENDED AIC MATING CARD DIMENSIONS(2 PORT\_124 &148 PIN)  
GENERAL TOLERANCES : ±0.05

<b>QUALITY SYMBOLS</b> MAJOR Ⓢ CRITICAL Ⓢ <b>GENERAL TOLERANCES</b> (UNLESS SPECIFIED) X ±0.5 .X ±0.25 .XX ±0.15 .XXX ±0.1 ANGLES ±2°	<b>DRAWN BY</b> Wu, Chu Cheng	<b>DATE</b> 22'/08/24		
	<b>CHECKED BY</b> Huang, Kuo Hua	<b>DATE</b> 22'/08/24		<b>TITLE</b> MINI COOL EDGE IO INTEGRATED CONNECTOR VERTICAL, 0.6 PITCH FOR PCIE, SMT TYPE
	<b>APPROVED BY</b> Huang, Kuo Hua	<b>DATE</b> 22'/08/24		
	<b>UNITS</b> mm			<b>SIZE</b> A4
<b>SCALE</b> NA	<b>SHEET NO.</b> 7 OF 7	<b>REV</b> B	<b>DWG NO.</b> 52729-XXXX-XXX	