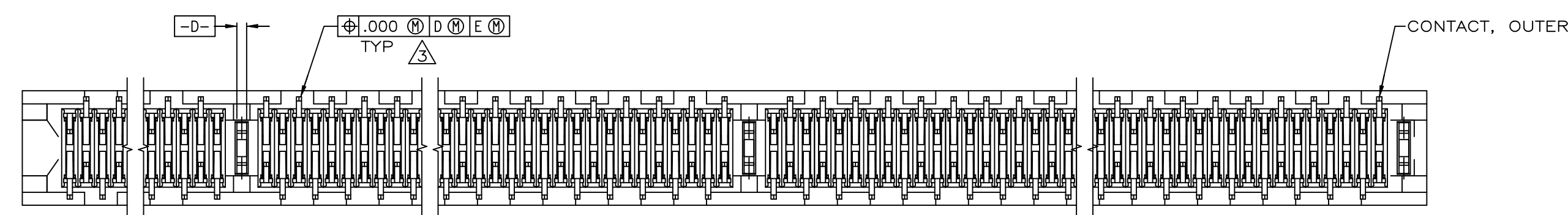
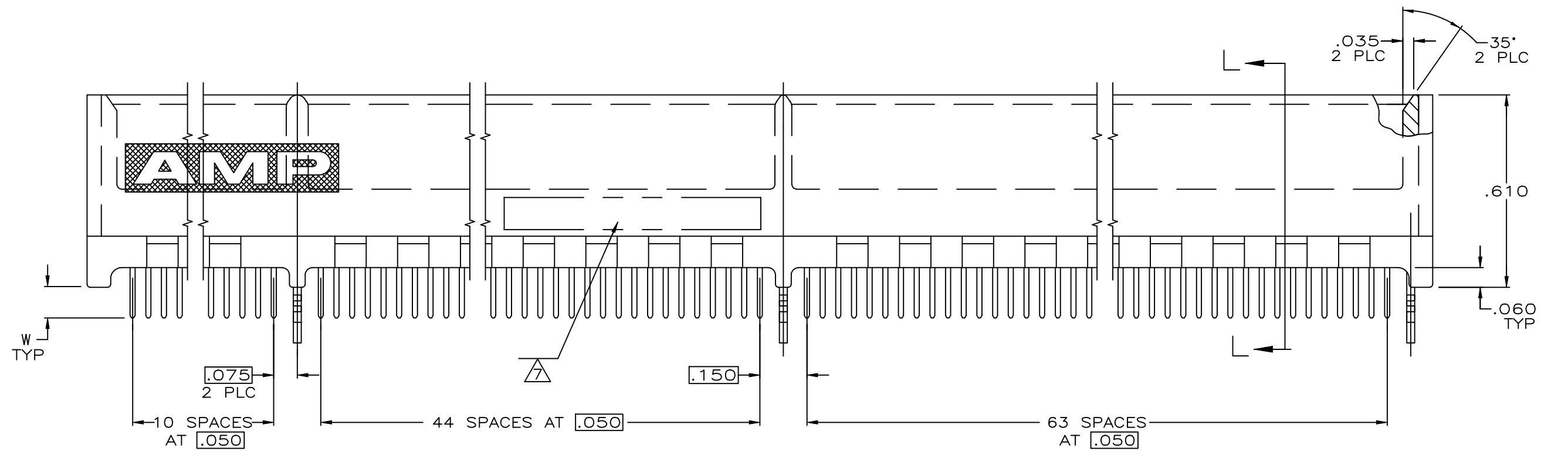
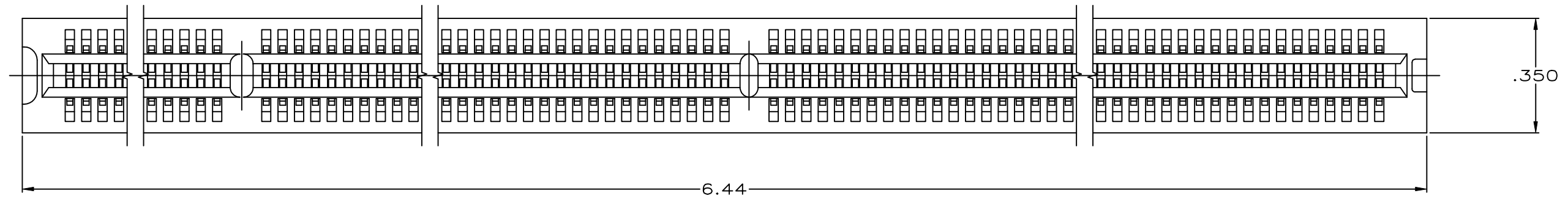
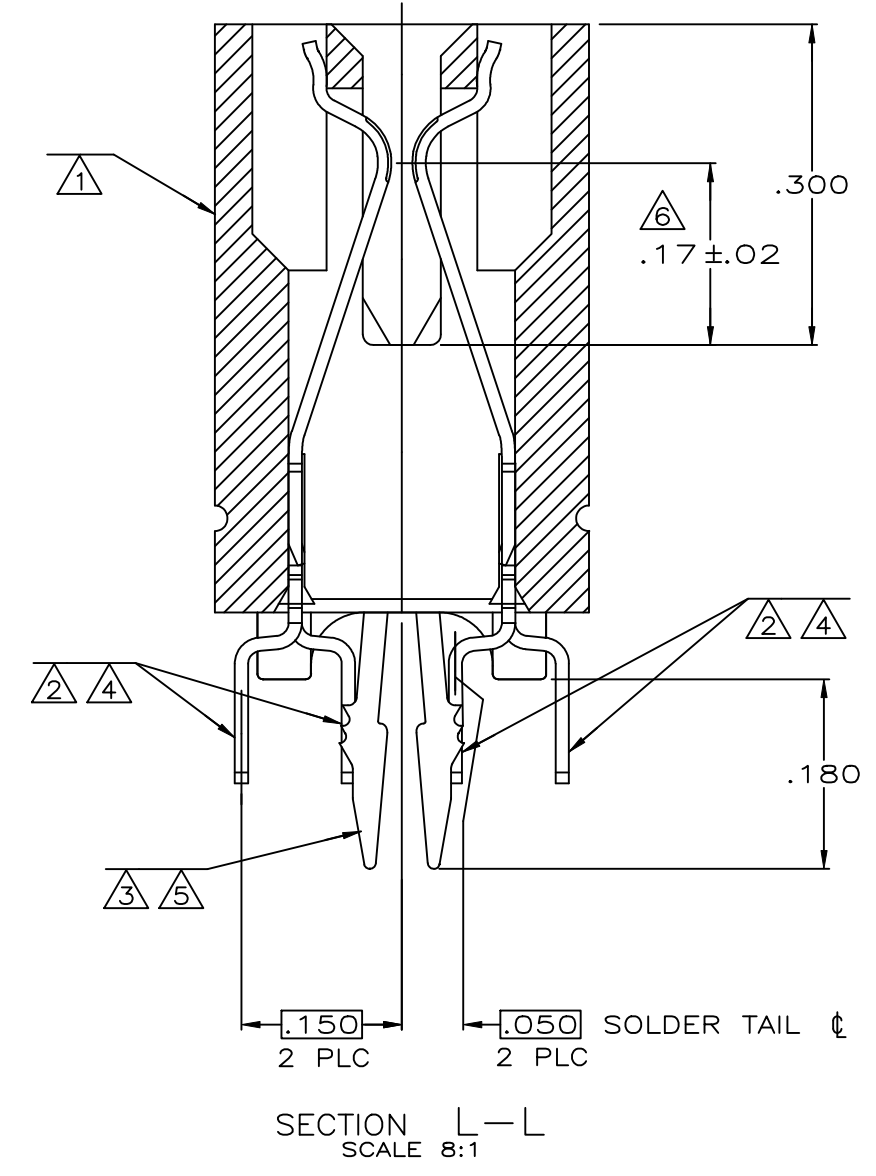


REVISIONS				
P	LTR	DESCRIPTION	DATE	OWN APVD
A		ECO-18-017215	03DEC2018	FL HL



SEE SHEET 2 FOR HOLE PATTERN

- ① HOUSING: HIGH TEMPERATURE THERMOPLASTIC. COLOR: BROWN.
- ② CONTACT: PHOSPHOR BRONZE.
- ③ METAL HOLD DOWN: BRASS
- ④ CONTACT FINISH: .000100 MIN NICKEL ALL OVER.
.000030 MIN GOLD OVER NICKEL IN CONTACT AREA.
.000100 MIN MATTE TIN OVER NICKEL ON SOLDER TAILS.
- ⑤ METAL HOLD DOWN FINISH: .000050 MIN NICKEL ALL OVER.
.000150 MIN MATTE TIN OVER NICKEL ALL OVER.
- ⑥ DISTANCE FROM CONTACT POINT TO BOTTOM OF CARD SLOT.
- △ AMP PART NUMBER, DATE CODE AND CSA LOGO MARKED IN APPROXIMATE AREA SHOWN.

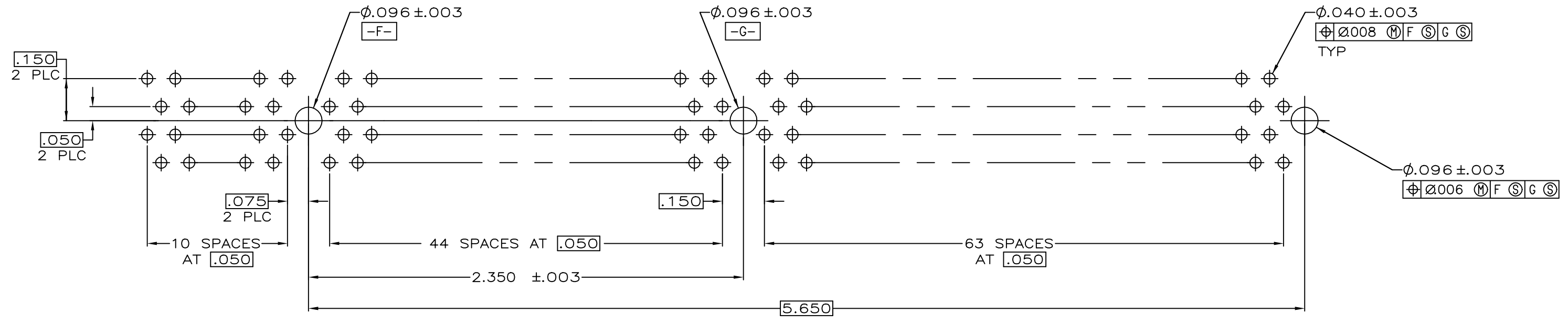


SECTION L-L
SCALE 8:1

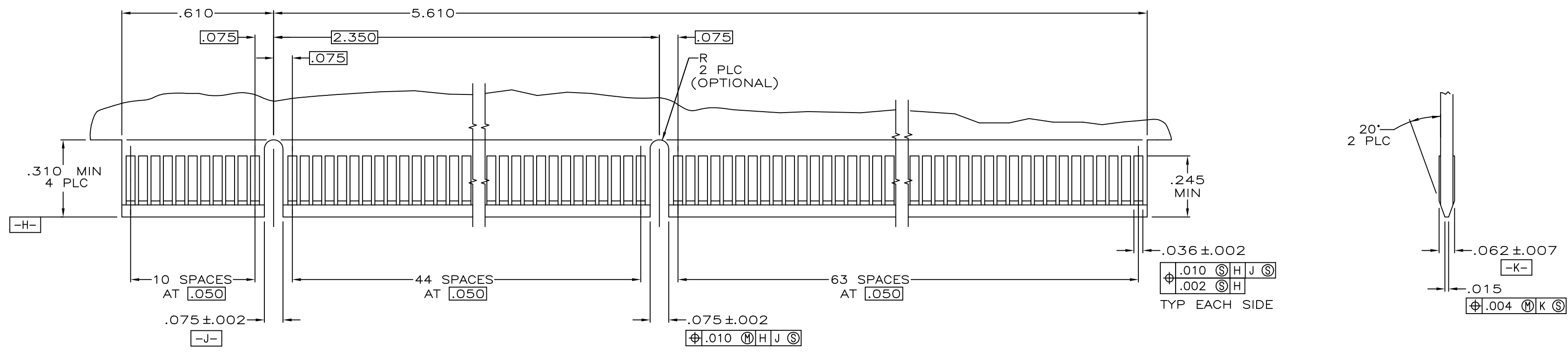
.14	5145031-3
W	PART NUMBER

THIS DRAWING IS A CONTROLLED DOCUMENT.		OWN: AL FRANTUM 22 JUN 05	TE Connectivity Ltd.	
DIMENSIONS: INCHES		CHK: AL FRANTUM 22 JUN 05	CONNECTOR ASSEMBLY, 120 DUAL POSITION, .050 SERIES.	
TOLERANCES UNLESS OTHERWISE SPECIFIED:		APVD: -	RESTRICTED TO	
0 PLC ± -	1 PLC ± -	PRODUCT SPEC 108-14034	SIZE: A1	CAGE CODE: 00779
2 PLC ± .01	3 PLC ± .005	APPLICATION SPEC 114-26012	DRAWING NO: 5145031	SCALE: 4:1
4 PLC ± -	ANGLES ± °	WEIGHT: -	CUSTOMER DRAWING	SHEET 1 OF 2
MATERIAL: ① ②		FINISH: ③ ④ ⑤		REV: A

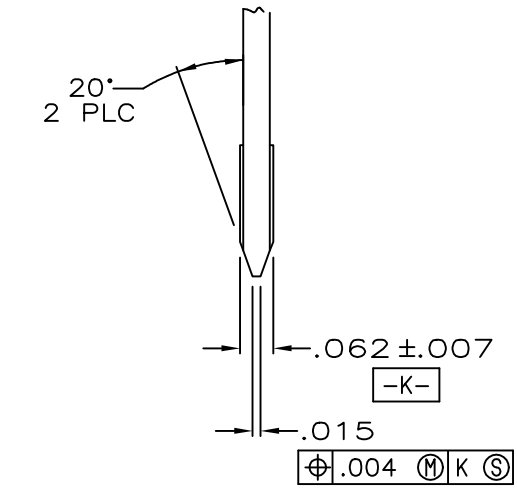
REVISIONS				
P	LTR	DESCRIPTION	DATE	OWN
-	-	SEE SHEET 1	-	-



RECOMMENDED CONNECTOR MOUNTING HOLE PATTERN
 (CONNECTOR SIDE SHOWN)



RECOMMENDED MATING BOARD EDGE CONFIGURATION



THIS DRAWING IS A CONTROLLED DOCUMENT.		OWN: AL FRANTUM 22 JUN 05	TE TE Connectivity Ltd.																			
		CHK: AL FRANTUM 22 JUN 05																				
DIMENSIONS: INCHES		APVD:		NAME:																		
<table border="1"> <tr><td>0 PLC</td><td>±</td><td>-</td></tr> <tr><td>1 PLC</td><td>±</td><td>.01</td></tr> <tr><td>2 PLC</td><td>±</td><td>.01</td></tr> <tr><td>3 PLC</td><td>±</td><td>.005</td></tr> <tr><td>4 PLC</td><td>±</td><td>.005</td></tr> <tr><td>ANGLES</td><td>±</td><td>°</td></tr> </table>		0 PLC	±	-	1 PLC	±	.01	2 PLC	±	.01	3 PLC	±	.005	4 PLC	±	.005	ANGLES	±	°	PRODUCT SPEC: 108-14034		RESTRICTED TO:
0 PLC	±	-																				
1 PLC	±	.01																				
2 PLC	±	.01																				
3 PLC	±	.005																				
4 PLC	±	.005																				
ANGLES	±	°																				
MATERIAL: SEE SHEET 1		APPLICATION SPEC: 114-26012		SIZE: A1																		
FINISH: SEE SHEET 1		WEIGHT: -		CAGE CODE: 00779																		
CUSTOMER DRAWING			SCALE: 4:1	SHEET 2 OF 2																		