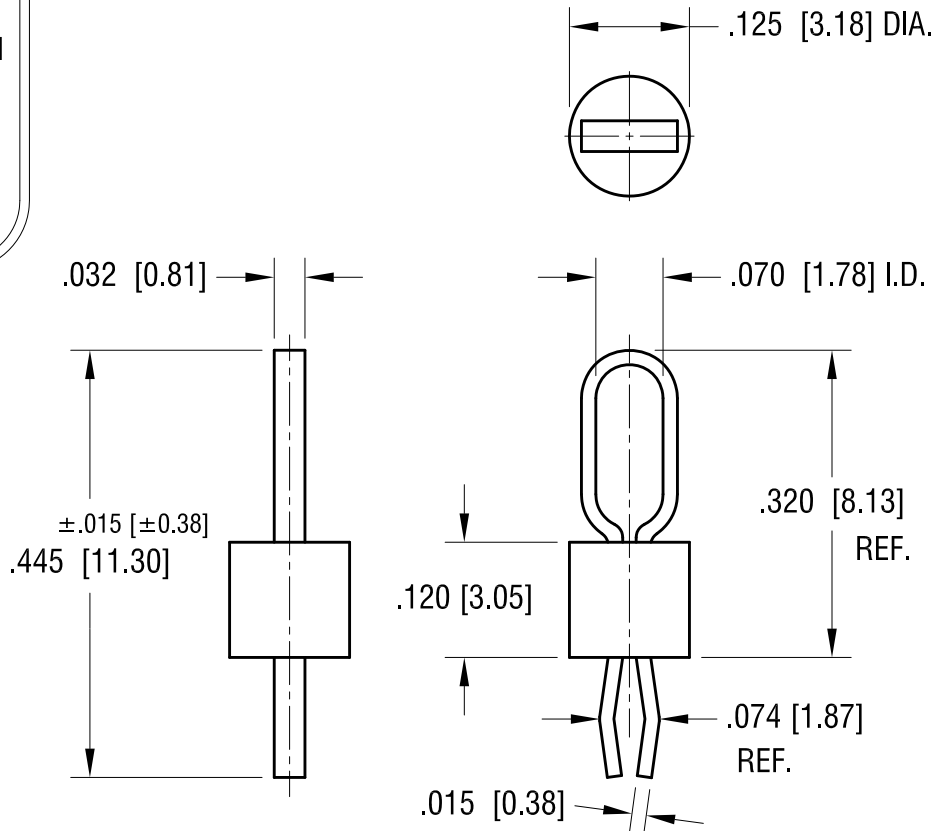
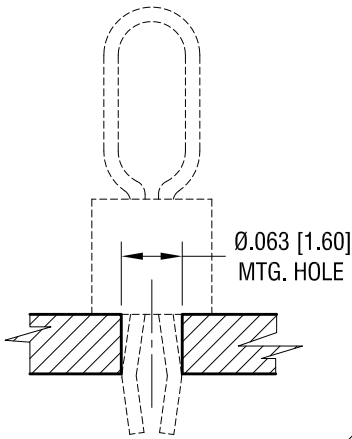


THIS DOCUMENT IS THE PROPERTY OF  
KEYSTONE ELECTRONICS CORP. AND  
SHALL NOT BE REPRODUCED, DISTRIBUTED  
OR USED AS A BASIS FOR MANUFACTURE  
WITHOUT PRIOR WRITTEN PERMISSION  
FROM KEYSTONE ELECTRONICS CORP.

ACTUAL SIZE



MTG. DETAIL



NOTES:

1. TERMINAL:  
MAT'L - PHOSPHOR BRONZE WIRE
2. BASE:  
MAT'L - HEAT RESISTANT NYLON 46
3. MTG HOLE: .063 [1.60]

PART NO.	BASE COLOR
5125	BROWN
5126	GREEN
5127	BLUE
5128	GREY
5129	PURPLE

DATE	DESCRIPTION	REV.
12.30.13	CHANGE AS PER ECN 13-123	D
1.31.13	CHANGE AS PER ECN 13-014	C
1.29.13	CHANGE AS PER ECN 13-009	B
12.14.10	CHANGE AS PER ECN 10-086	A

**KEYSTONE ELECTRONICS CORP.**  
www.keyelco.com • NEW HYDE PARK NY 11040 • Tel (516)328-7500

PART NAME: **PC TEST POINT - MULTIPURPOSE**

MATERIAL: **AS NOTED**

FINISH: **SILVER PLATE**

DRN BY: **NT**      DATE: **4.22.08**  
APP'D: **RH**      SCALE: **5X**

TOLERANCES    INCH    [MM]  
DECIMAL       ± .005    [± 0.13]  
ANGULAR       ± 1°  
UNLESS OTHERWISE SPECIFIED

CODE: **C**

DWG NO. **5125-5129**