



- 1
- 2
- 3
- 4
- 5
- 6
- 7
- 8
- 9
- 10
- 11
- 12
- 13
- 14
- 15
- 16
- 17
- 18

LEVER BODY

Glass-fibre reinforced polyamide based (PA) technopolymer, grey-black colour, matte finish. Built-in zinc alloy toothed insert for coupling to the metal clamping element.

STANDARD EXECUTIONS

- **ERZ-A:** black-oxide steel clamping element with threaded hole and retaining screw. AISI 302 stainless steel return spring.
- **ERZ-SST:** AISI 303 stainless steel clamping element with threaded hole and retaining screw. AISI 302 stainless steel return spring.
- **ERZ-p:** black-oxide steel clamping element with threaded stud and retaining screw. AISI 302 stainless steel return spring.
- **ERZ-SST-p:** AISI 303 stainless steel clamping element with threaded stud and retaining screw. AISI 302 stainless steel return spring.

Retaining screw with six-lobed socket to fit TORX® (see communication attached).

FEATURES AND APPLICATIONS

Particularly suitable when the lever turning angle is limited owing to lack of space.

The metal teeth of the built-in zinc alloy insert allow the assembly of clamping elements completely made out of metal, which can be easily modified by machining in case of special assembly requirements.

SPECIAL EXECUTIONS ON REQUEST

Lever body in orange colour.

INSTRUCTIONS OF USE

For clamping, lift the lever to disengage the clamping device teeth and bring it back to start position. By releasing the lever, the return spring automatically engages the teeth.

If the lever cannot make a 360° rotation, the clamping element can be easily screwed by means of the six-lobed socket front head screw (after having disengaged the lever).

* Registered trademark by TEXTRON INC.

Conversion Table	
1 mm = 0.039 inch	
R	
mm	inch
44	1.73
63	2.48
78	3.07
95	3.74

ERZ-A

Code	Description	R	d	L	D	H	H1	h	h1	h2	h3	d1	l1	Teeth no.	△
237102	ERZ.44 A-M4	44	M4	52	16	30.5	34	8	24.5	3.5	22.5	10	11	18	16
237103	ERZ.44 A-M5	44	M5	52	16	30.5	34	8	24.5	3.5	22.5	10	11	18	16
237104	ERZ.44 A-M6	44	M6	52	16	30.5	34	8	24.5	3.5	22.5	10	11	18	15
237134	ERZ.63 A-M6	63	M6	72.5	19	38.5	42	10	31	3.5	30	13.5	13.5	24	36
237135	ERZ.63 A-M8	63	M8	72.5	19	38.5	42	10	31	3.5	30	13.5	13.5	24	34
237155	ERZ.78 A-M8	78	M8	89.5	23	45	50.5	14	36	3.5	35	16	16	26	61
237156	ERZ.78 A-M10	78	M10	89.5	23	45	50.5	14	36	3.5	35	16	16	26	55
237157	ERZ.78 A-M12	78	M12	89.5	23	45	50.5	14	36	3.5	35	16	16	26	57
237175	ERZ.95 A-M10	95	M10	108	26	56.5	61.5	17	43	5	45	19	18	28	93
237176	ERZ.95 A-M12	95	M12	108	26	56.5	61.5	17	43	5	45	19	18	28	86

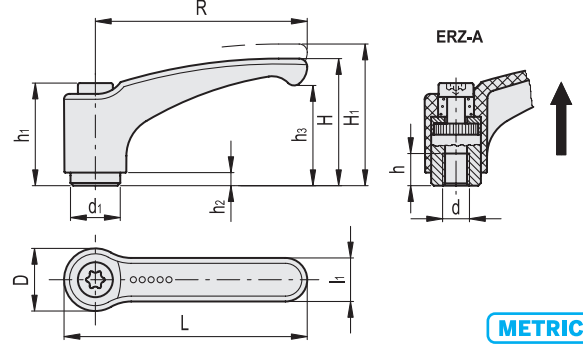
ERZ-SST

Code	Description	R	d	L	D	H	H1	h	h1	h2	h3	d1	l1	Teeth no.	△
239102	ERZ.44 SST-M4	44	M4	52	16	30.5	34	8	24.5	3.5	22.5	10	11	18	17
239105	ERZ.44 SST-M5	44	M5	52	16	30.5	34	8	24.5	3.5	22.5	10	11	18	16
239106	ERZ.44 SST-M6	44	M6	52	16	30.5	34	8	24.5	3.5	22.5	10	11	18	15
239135	ERZ.63 SST-M6	63	M6	72.5	19	38.5	42	10	31	3.5	30	13.5	13.5	24	36
239136	ERZ.63 SST-M8	63	M8	72.5	19	38.5	42	10	31	3.5	30	13.5	13.5	24	34
239155	ERZ.78 SST-M8	78	M8	89.5	23	45	50.5	14	36	3.5	35	16	16	26	61
239156	ERZ.78 SST-M10	78	M10	89.5	23	45	50.5	14	36	3.5	35	16	16	26	55
239157	ERZ.78 SST-M12	78	M12	89.5	23	45	50.5	14	36	3.5	35	16	16	26	57
239175	ERZ.95 SST-M10	95	M10	108	26	56.5	61.5	17	43	5	45	19	18	28	93
239176	ERZ.95 SST-M12	95	M12	108	26	56.5	61.5	17	43	5	45	19	18	28	86



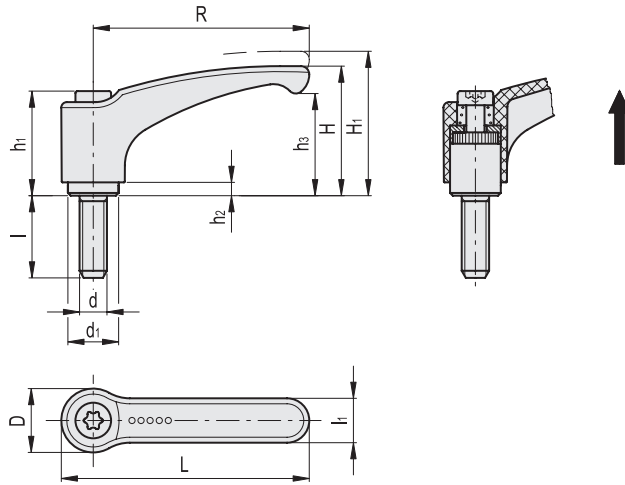
ERGOSTYLE® ELESA Original design

ERZ-A
ERZ-SST



Clamping handles

ERZ-p



Conversion Table 1 mm = 0.039 inch	
mm	inch
44	1.73
63	2.48
78	3.07
95	3.74

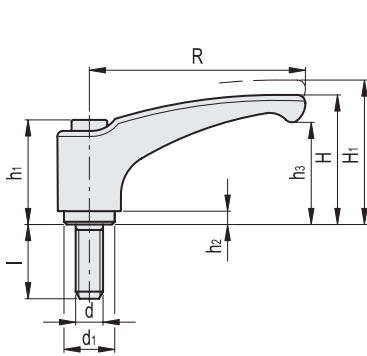
ERZ-p

METRIC

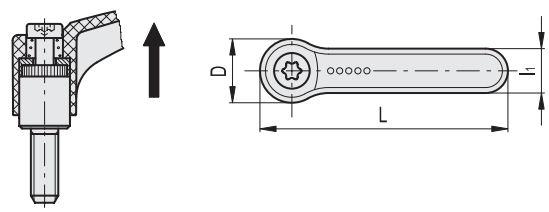
Codice	Description	R	d	L	D	H	H1	h1	h2	h3	d1	l	l1	Teeth no.	⚖
238103	ERZ.44 p-M4x12	44	M4	52	16	30.5	34	24.5	3.5	22.5	10	12	11	18	15
238105	ERZ.44 p-M4x16	44	M4	52	16	30.5	34	24.5	3.5	22.5	10	16	11	18	16
238107	ERZ.44 p-M4x20	44	M4	52	16	30.5	34	24.5	3.5	22.5	10	20	11	18	17
238109	ERZ.44 p-M4x25	44	M4	52	16	30.5	34	24.5	3.5	22.5	10	25	11	18	18
238111	ERZ.44 p-M4x32	44	M4	52	16	30.5	34	24.5	3.5	22.5	10	32	11	18	19
238133	ERZ.44 p-M5x12	44	M5	52	16	30.5	34	24.5	3.5	22.5	10	12	11	18	17
238135	ERZ.44 p-M5x16	44	M5	52	16	30.5	34	24.5	3.5	22.5	10	16	11	18	18
238137	ERZ.44 p-M5x20	44	M5	52	16	30.5	34	24.5	3.5	22.5	10	20	11	18	19
238139	ERZ.44 p-M5x25	44	M5	52	16	30.5	34	24.5	3.5	22.5	10	25	11	18	20
238141	ERZ.44 p-M5x32	44	M5	52	16	30.5	34	24.5	3.5	22.5	10	32	11	18	21
238143	ERZ.44 p-M5x40	44	M5	52	16	30.5	34	24.5	3.5	22.5	10	40	11	18	22
238145	ERZ.44 p-M5x50	44	M5	52	16	30.5	34	24.5	3.5	22.5	10	50	11	18	23
238153	ERZ.44 p-M6x12	44	M6	52	16	30.5	34	24.5	3.5	22.5	10	12	11	18	19
238155	ERZ.44 p-M6x16	44	M6	52	16	30.5	34	24.5	3.5	22.5	10	16	11	18	20
238157	ERZ.44 p-M6x20	44	M6	52	16	30.5	34	24.5	3.5	22.5	10	20	11	18	21
238159	ERZ.44 p-M6x25	44	M6	52	16	30.5	34	24.5	3.5	22.5	10	25	11	18	22
238161	ERZ.44 p-M6x32	44	M6	52	16	30.5	34	24.5	3.5	22.5	10	32	11	18	23
238163	ERZ.44 p-M6x40	44	M6	52	16	30.5	34	24.5	3.5	22.5	10	40	11	18	24
238165	ERZ.44 p-M6x50	44	M6	52	16	30.5	34	24.5	3.5	22.5	10	50	11	18	25
238333	ERZ.63 p-M6x12	63	M6	72.5	19	38.5	42	31	3.5	30	13.5	12	13.5	24	47
238335	ERZ.63 p-M6x16	63	M6	72.5	19	38.5	42	31	3.5	30	13.5	16	13.5	24	49
238337	ERZ.63 p-M6x20	63	M6	72.5	19	38.5	42	31	3.5	30	13.5	20	13.5	24	55
238339	ERZ.63 p-M6x25	63	M6	72.5	19	38.5	42	31	3.5	30	13.5	25	13.5	24	57
238341	ERZ.63 p-M6x32	63	M6	72.5	19	38.5	42	31	3.5	30	13.5	32	13.5	24	61
238343	ERZ.63 p-M6x40	63	M6	72.5	19	38.5	42	31	3.5	30	13.5	40	13.5	24	68
238345	ERZ.63 p-M6x50	63	M6	72.5	19	38.5	42	31	3.5	30	13.5	50	13.5	24	77
238347	ERZ.63 p-M6x63	63	M6	72.5	19	38.5	42	31	3.5	30	13.5	63	13.5	24	79
238351	ERZ.63 p-M8x12	63	M8	72.5	19	38.5	42	31	3.5	30	13.5	12	13.5	24	40
238353	ERZ.63 p-M8x16	63	M8	72.5	19	38.5	42	31	3.5	30	13.5	16	13.5	24	41
238355	ERZ.63 p-M8x20	63	M8	72.5	19	38.5	42	31	3.5	30	13.5	20	13.5	24	42
238357	ERZ.63 p-M8x25	63	M8	72.5	19	38.5	42	31	3.5	30	13.5	25	13.5	24	43
238359	ERZ.63 p-M8x32	63	M8	72.5	19	38.5	42	31	3.5	30	13.5	32	13.5	24	44
238361	ERZ.63 p-M8x40	63	M8	72.5	19	38.5	42	31	3.5	30	13.5	40	13.5	24	46
238363	ERZ.63 p-M8x50	63	M8	72.5	19	38.5	42	31	3.5	30	13.5	50	13.5	24	48
238365	ERZ.63 p-M8x63	63	M8	72.5	19	38.5	42	31	3.5	30	13.5	63	13.5	24	51
238373	ERZ.63 p-M10x20	63	M10	72.5	19	38.5	42	31	3.5	30	13.5	20	13.5	24	42
238375	ERZ.63 p-M10x25	63	M10	72.5	19	38.5	42	31	3.5	30	13.5	25	13.5	24	43
238377	ERZ.63 p-M10x32	63	M10	72.5	19	38.5	42	31	3.5	30	13.5	32	13.5	24	45
238379	ERZ.63 p-M10x40	63	M10	72.5	19	38.5	42	31	3.5	30	13.5	40	13.5	24	47
238381	ERZ.63 p-M10x50	63	M10	72.5	19	38.5	42	31	3.5	30	13.5	50	13.5	24	52
238383	ERZ.63 p-M10x63	63	M10	72.5	19	38.5	42	31	3.5	30	13.5	63	13.5	24	53
238385	ERZ.63 p-M10x80	63	M10	72.5	19	38.5	42	31	3.5	30	13.5	80	13.5	24	57



Clamping handles



ERZ-p
ERZ-SST-p



Conversion Table
1 mm = 0,039 inch

R	
mm	inch
44	1.73
63	2.48
78	3.07
95	3.74

METRIC

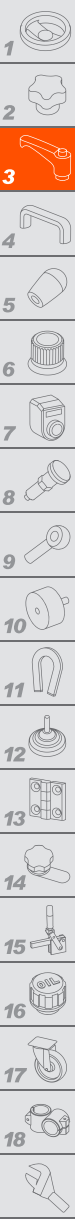
Code	Description	R	d	L	D	H	H1	h1	h2	h3	d1	l	l1	Teeth no.	⚖
238533	ERZ.78 p-M8x16	78	M8	89.5	23	45	50.5	36	3.5	35	16	16	16	26	70
238535	ERZ.78 p-M8x20	78	M8	89.5	23	45	50.5	36	3.5	35	16	20	16	26	73
238537	ERZ.78 p-M8x25	78	M8	89.5	23	45	50.5	36	3.5	35	16	25	16	26	76
238539	ERZ.78 p-M8x32	78	M8	89.5	23	45	50.5	36	3.5	35	16	32	16	26	81
238541	ERZ.78 p-M8x40	78	M8	89.5	23	45	50.5	36	3.5	35	16	40	16	26	86
238543	ERZ.78 p-M8x50	78	M8	89.5	23	45	50.5	36	3.5	35	16	50	16	26	88
238545	ERZ.78 p-M8x63	78	M8	89.5	23	45	50.5	36	3.5	35	16	63	16	26	94
238547	ERZ.78 p-M8x80	78	M8	89.5	23	45	50.5	36	3.5	35	16	80	16	26	102
238551	ERZ.78 p-M10x16	78	M10	89.5	23	45	50.5	36	3.5	35	16	16	16	26	82
238553	ERZ.78 p-M10x20	78	M10	89.5	23	45	50.5	36	3.5	35	16	20	16	26	85
238555	ERZ.78 p-M10x25	78	M10	89.5	23	45	50.5	36	3.5	35	16	25	16	26	91
238557	ERZ.78 p-M10x32	78	M10	89.5	23	45	50.5	36	3.5	35	16	32	16	26	98
238559	ERZ.78 p-M10x40	78	M10	89.5	23	45	50.5	36	3.5	35	16	40	16	26	108
238561	ERZ.78 p-M10x50	78	M10	89.5	23	45	50.5	36	3.5	35	16	50	16	26	120
238563	ERZ.78 p-M10x63	78	M10	89.5	23	45	50.5	36	3.5	35	16	63	16	26	124
238565	ERZ.78 p-M10x80	78	M10	89.5	23	45	50.5	36	3.5	35	16	80	16	26	127
238571	ERZ.78 p-M12x20	78	M12	89.5	23	45	50.5	36	3.5	35	16	20	16	26	68
238573	ERZ.78 p-M12x25	78	M12	89.5	23	45	50.5	36	3.5	35	16	25	16	26	70
238575	ERZ.78 p-M12x32	78	M12	89.5	23	45	50.5	36	3.5	35	16	32	16	26	73
238577	ERZ.78 p-M12x40	78	M12	89.5	23	45	50.5	36	3.5	35	16	40	16	26	75
238579	ERZ.78 p-M12x50	78	M12	89.5	23	45	50.5	36	3.5	35	16	50	16	26	79
238581	ERZ.78 p-M12x63	78	M12	89.5	23	45	50.5	36	3.5	35	16	63	16	26	85
238583	ERZ.78 p-M12x80	78	M12	89.5	23	45	50.5	36	3.5	35	16	80	16	26	88
238723	ERZ.95 p-M10x16	95	M10	108	26	56.5	61.5	43	5	45	19	16	18	28	111
238725	ERZ.95 p-M10x20	95	M10	108	26	56.5	61.5	43	5	45	19	20	18	28	113
238727	ERZ.95 p-M10x25	95	M10	108	26	56.5	61.5	43	5	45	19	25	18	28	115
238729	ERZ.95 p-M10x32	95	M10	108	26	56.5	61.5	43	5	45	19	32	18	28	118
238731	ERZ.95 p-M10x40	95	M10	108	26	56.5	61.5	43	5	45	19	40	18	28	121
238733	ERZ.95 p-M10x50	95	M10	108	26	56.5	61.5	43	5	45	19	50	18	28	128
238735	ERZ.95 p-M10x63	95	M10	108	26	56.5	61.5	43	5	45	19	63	18	28	133
238737	ERZ.95 p-M10x80	95	M10	108	26	56.5	61.5	43	5	45	19	80	18	28	141
238747	ERZ.95 p-M12x16	95	M12	108	26	56.5	61.5	43	5	45	19	16	18	28	113
238749	ERZ.95 p-M12x20	95	M12	108	26	56.5	61.5	43	5	45	19	20	18	28	117
238751	ERZ.95 p-M12x25	95	M12	108	26	56.5	61.5	43	5	45	19	25	18	28	122
238753	ERZ.95 p-M12x32	95	M12	108	26	56.5	61.5	43	5	45	19	32	18	28	125
238755	ERZ.95 p-M12x40	95	M12	108	26	56.5	61.5	43	5	45	19	40	18	28	132
238757	ERZ.95 p-M12x50	95	M12	108	26	56.5	61.5	43	5	45	19	50	18	28	141
238759	ERZ.95 p-M12x63	95	M12	108	26	56.5	61.5	43	5	45	19	63	18	28	151
238761	ERZ.95 p-M12x80	95	M12	108	26	56.5	61.5	43	5	45	19	80	18	28	160
238773	ERZ.95 p-M16x25	95	M16	108	26	56.5	61.5	43	5	45	19	25	18	28	139
238775	ERZ.95 p-M16x32	95	M16	108	26	56.5	61.5	43	5	45	19	32	18	28	146
238777	ERZ.95 p-M16x40	95	M16	108	26	56.5	61.5	43	5	45	19	40	18	28	154
238779	ERZ.95 p-M16x50	95	M16	108	26	56.5	61.5	43	5	45	19	50	18	28	171
238781	ERZ.95 p-M16x63	95	M16	108	26	56.5	61.5	43	5	45	19	63	18	28	184
238783	ERZ.95 p-M16x80	95	M16	108	26	56.5	61.5	43	5	45	19	80	18	28	199

Clamping handles

ERZ-SST-p

INOX STAINLESS STEEL METRIC

Code	Description	R	d	L	D	H	H1	h1	h2	h3	d1	l	lt	Teeth no.	△
239203	ERZ.44 SST-p-M4x12	44	M4	52	16	30.5	34	24.5	3.5	22.5	10	12	11	18	15
239205	ERZ.44 SST-p-M4x16	44	M4	52	16	30.5	34	24.5	3.5	22.5	10	16	11	18	17
239207	ERZ.44 SST-p-M4x20	44	M4	52	16	30.5	34	24.5	3.5	22.5	10	20	11	18	18
239209	ERZ.44 SST-p-M4x25	44	M4	52	16	30.5	34	24.5	3.5	22.5	10	25	11	18	20
239211	ERZ.44 SST-p-M4x32	44	M4	52	16	30.5	34	24.5	3.5	22.5	10	32	11	18	21
239233	ERZ.44 SST-p-M5x12	44	M5	52	16	30.5	34	24.5	3.5	22.5	10	12	11	18	17
239235	ERZ.44 SST-p-M5x16	44	M5	52	16	30.5	34	24.5	3.5	22.5	10	16	11	18	18
239237	ERZ.44 SST-p-M5x20	44	M5	52	16	30.5	34	24.5	3.5	22.5	10	20	11	18	19
239239	ERZ.44 SST-p-M5x25	44	M5	52	16	30.5	34	24.5	3.5	22.5	10	25	11	18	20
239241	ERZ.44 SST-p-M5x32	44	M5	52	16	30.5	34	24.5	3.5	22.5	10	32	11	18	21
239243	ERZ.44 SST-p-M5x40	44	M5	52	16	30.5	34	24.5	3.5	22.5	10	40	11	18	22
239245	ERZ.44 SST-p-M5x50	44	M5	52	16	30.5	34	24.5	3.5	22.5	10	50	11	18	23
239253	ERZ.44 SST-p-M6x12	44	M6	52	16	30.5	34	24.5	3.5	22.5	10	12	11	18	19
239255	ERZ.44 SST-p-M6x16	44	M6	52	16	30.5	34	24.5	3.5	22.5	10	16	11	18	20
239257	ERZ.44 SST-p-M6x20	44	M6	52	16	30.5	34	24.5	3.5	22.5	10	20	11	18	21
239259	ERZ.44 SST-p-M6x25	44	M6	52	16	30.5	34	24.5	3.5	22.5	10	25	11	18	22
239423	ERZ.44 SST-p-M6x32	44	M6	52	16	30.5	34	24.5	3.5	22.5	10	32	11	18	23
239425	ERZ.44 SST-p-M6x40	44	M6	52	16	30.5	34	24.5	3.5	22.5	10	40	11	18	24
239427	ERZ.44 SST-p-M6x50	44	M6	52	16	30.5	34	24.5	3.5	22.5	10	50	11	18	27
239429	ERZ.63 SST-p-M6x16	63	M6	72.5	19	38.5	42	31	3.5	30	13.5	16	13.5	24	40
239431	ERZ.63 SST-p-M6x20	63	M6	72.5	19	38.5	42	31	3.5	30	13.5	20	13.5	24	41
239433	ERZ.63 SST-p-M6x25	63	M6	72.5	19	38.5	42	31	3.5	30	13.5	25	13.5	24	42
239435	ERZ.63 SST-p-M6x32	63	M6	72.5	19	38.5	42	31	3.5	30	13.5	32	13.5	24	43
239437	ERZ.63 SST-p-M6x40	63	M6	72.5	19	38.5	42	31	3.5	30	13.5	40	13.5	24	44
239439	ERZ.63 SST-p-M6x50	63	M6	72.5	19	38.5	42	31	3.5	30	13.5	50	13.5	24	46
239441	ERZ.63 SST-p-M6x63	63	M6	72.5	19	38.5	42	31	3.5	30	13.5	63	13.5	24	48
239453	ERZ.63 SST-p-M8x16	63	M8	72.5	19	38.5	42	31	3.5	30	13.5	16	13.5	24	42
239455	ERZ.63 SST-p-M8x20	63	M8	72.5	19	38.5	42	31	3.5	30	13.5	20	13.5	24	46
239457	ERZ.63 SST-p-M8x25	63	M8	72.5	19	38.5	42	31	3.5	30	13.5	25	13.5	24	48
239459	ERZ.63 SST-p-M8x32	63	M8	72.5	19	38.5	42	31	3.5	30	13.5	32	13.5	24	50
239643	ERZ.63 SST-p-M8x40	63	M8	72.5	19	38.5	42	31	3.5	30	13.5	40	13.5	24	52
239645	ERZ.63 SST-p-M8x50	63	M8	72.5	19	38.5	42	31	3.5	30	13.5	50	13.5	24	54
239647	ERZ.63 SST-p-M8x63	63	M8	72.5	19	38.5	42	31	3.5	30	13.5	63	13.5	24	58
239673	ERZ.78 SST-p-M8x20	78	M8	89.5	23	45	50.5	36	3.5	35	16	20	16	26	69
239675	ERZ.78 SST-p-M8x25	78	M8	89.5	23	45	50.5	36	3.5	35	16	25	16	26	72
239677	ERZ.78 SST-p-M8x32	78	M8	89.5	23	45	50.5	36	3.5	35	16	32	16	26	76
239679	ERZ.78 SST-p-M8x40	78	M8	89.5	23	45	50.5	36	3.5	35	16	40	16	26	80
239681	ERZ.78 SST-p-M8x50	78	M8	89.5	23	45	50.5	36	3.5	35	16	50	16	26	84
239683	ERZ.78 SST-p-M8x63	78	M8	89.5	23	45	50.5	36	3.5	35	16	63	16	26	89
239685	ERZ.78 SST-p-M8x80	78	M8	89.5	23	45	50.5	36	3.5	35	16	80	16	26	97
239653	ERZ.78 SST-p-M10x20	78	M10	89.5	23	45	50.5	36	3.5	35	16	20	16	26	73
239655	ERZ.78 SST-p-M10x25	78	M10	89.5	23	45	50.5	36	3.5	35	16	25	16	26	76
239657	ERZ.78 SST-p-M10x32	78	M10	89.5	23	45	50.5	36	3.5	35	16	32	16	26	80
239659	ERZ.78 SST-p-M10x40	78	M10	89.5	23	45	50.5	36	3.5	35	16	40	16	26	84
239661	ERZ.78 SST-p-M10x50	78	M10	89.5	23	45	50.5	36	3.5	35	16	50	16	26	88
239663	ERZ.78 SST-p-M10x63	78	M10	89.5	23	45	50.5	36	3.5	35	16	63	16	26	94
239665	ERZ.78 SST-p-M10x80	78	M10	89.5	23	45	50.5	36	3.5	35	16	80	16	26	102
239919	ERZ.78 SST-p-M12x20	78	M12	89.5	23	45	50.5	36	3.5	35	16	20	16	26	68
239921	ERZ.78 SST-p-M12x25	78	M12	89.5	23	45	50.5	36	3.5	35	16	25	16	26	70
239923	ERZ.78 SST-p-M12x32	78	M12	89.5	23	45	50.5	36	3.5	35	16	32	16	26	73
239925	ERZ.78 SST-p-M12x40	78	M12	89.5	23	45	50.5	36	3.5	35	16	40	16	26	75
239927	ERZ.78 SST-p-M12x50	78	M12	89.5	23	45	50.5	36	3.5	35	16	50	16	26	79
239929	ERZ.78 SST-p-M12x63	78	M12	89.5	23	45	50.5	36	3.5	35	16	63	16	26	85
239931	ERZ.78 SST-p-M12x80	78	M12	89.5	23	45	50.5	36	3.5	35	16	80	16	26	88
239823	ERZ.95 SST-p-M10x20	95	M10	108	26	56.5	61.5	43	5	45	19	20	18	28	113
239825	ERZ.95 SST-p-M10x25	95	M10	108	26	56.5	61.5	43	5	45	19	25	18	28	115
239827	ERZ.95 SST-p-M10x32	95	M10	108	26	56.5	61.5	43	5	45	19	32	18	28	118
239829	ERZ.95 SST-p-M10x40	95	M10	108	26	56.5	61.5	43	5	45	19	40	18	28	121
239831	ERZ.95 SST-p-M10x50	95	M10	108	26	56.5	61.5	43	5	45	19	50	18	28	128
239833	ERZ.95 SST-p-M10x63	95	M10	108	26	56.5	61.5	43	5	45	19	63	18	28	133
239835	ERZ.95 SST-p-M10x80	95	M10	108	26	56.5	61.5	43	5	45	19	80	18	28	141
239849	ERZ.95 SST-p-M12x20	95	M12	108	26	56.5	61.5	43	5	45	19	20	18	28	117
239851	ERZ.95 SST-p-M12x25	95	M12	108	26	56.5	61.5	43	5	45	19	25	18	28	122
239853	ERZ.95 SST-p-M12x32	95	M12	108	26	56.5	61.5	43	5	45	19	32	18	28	125
239855	ERZ.95 SST-p-M12x40	95	M12	108	26	56.5	61.5	43	5	45	19	40	18	28	132
239857	ERZ.95 SST-p-M12x50	95	M12	108	26	56.5	61.5	43	5	45	19	50	18	28	138
239859	ERZ.95 SST-p-M12x63	95	M12	108	26	56.5	61.5	43	5	45	19	63	18	28	148
239861	ERZ.95 SST-p-M12x80	95	M12	108	26	56.5	61.5	43	5	45	19	80	18	28	160



Clamping handles