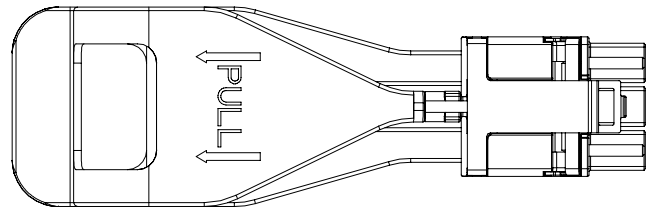
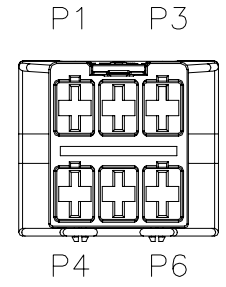
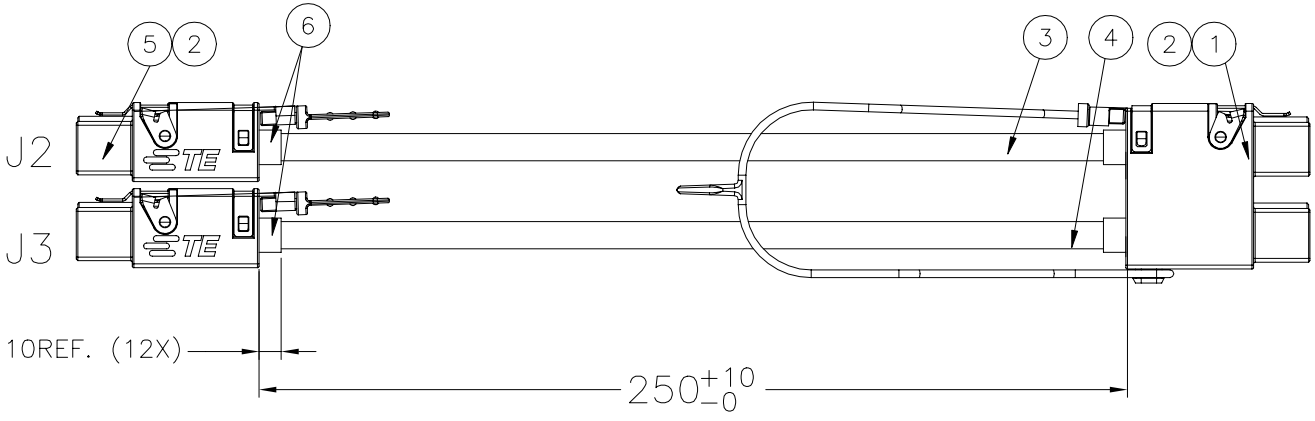
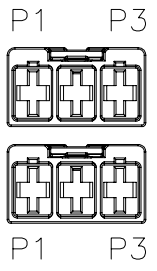


| REVISIONS | | | | |
|-----------|----|---------------------------|-----------|----|
| P | UR | DESCRIPTION | DATE | BY |
| A | | REVISED PER ECR-21-119906 | 05NOV2021 | SB |



NOTES:

- 100% ELECTRICAL TEST FOR CONTINUITY, OPENS AND SHORTS.
- ROHS COMPLIANCE: PRODUCT AND PROCESSING MEETS REQUIREMENTS OF TE SPECIFICATION TEC-138-702.

| WIRING CHART | | |
|--------------|-------|-------|
| FROM | TO | COLOR |
| J1-P1 | J2-P3 | RED |
| J1-P2 | J2-P2 | RED |
| J1-P3 | J2-P1 | RED |
| J1-P4 | J3-P3 | BLACK |
| J1-P5 | J3-P2 | BLACK |
| J1-P6 | J3-P1 | BLACK |

2370765-1
TE P/N

| QTY | U/M | DESCRIPTION | ITEM |
|------|-----|------------------------------------|------|
| 0.12 | MR | H.S.T ID:5.0MM COLOR:BLACK | 6 |
| 2 | PC | HOUSING 1X3 ELCON MINI TE | 5 |
| 0.8 | MR | UL WIRE 10AWG BLACK HIGH FLEX, PVC | 4 |
| 0.8 | MR | UL WIRE 10AWG RED HIGH FLEX, PVC | 3 |
| 12 | PC | CONTACT ELCON MINI, GOLD PLATING | 2 |
| 1 | PC | ELCON MINI 3P CABLE CONN,PULL-TAB | 1 |

THIS DRAWING IS A CONTROLLED DOCUMENT. **TE** TE Connectivity Ltd.

| | |
|---|-----------------|
| APPROVED: WILLIAM YAO | DATE: 05NOV2021 |
| DESIGNED: WILLIAM YAO | DATE: 05NOV2021 |
| PRODUCT SPEC: Cable Assy, 2X3 ELCON MINI TO 3P ELCON MINI | |
| APPLICATION SPEC: - | |
| SIZE: A1 | SCALE: N.T.S. |
| DRAWING NO: 100779 | SHEET: 1 OF 1 |
| REVISION: A | REV: A |