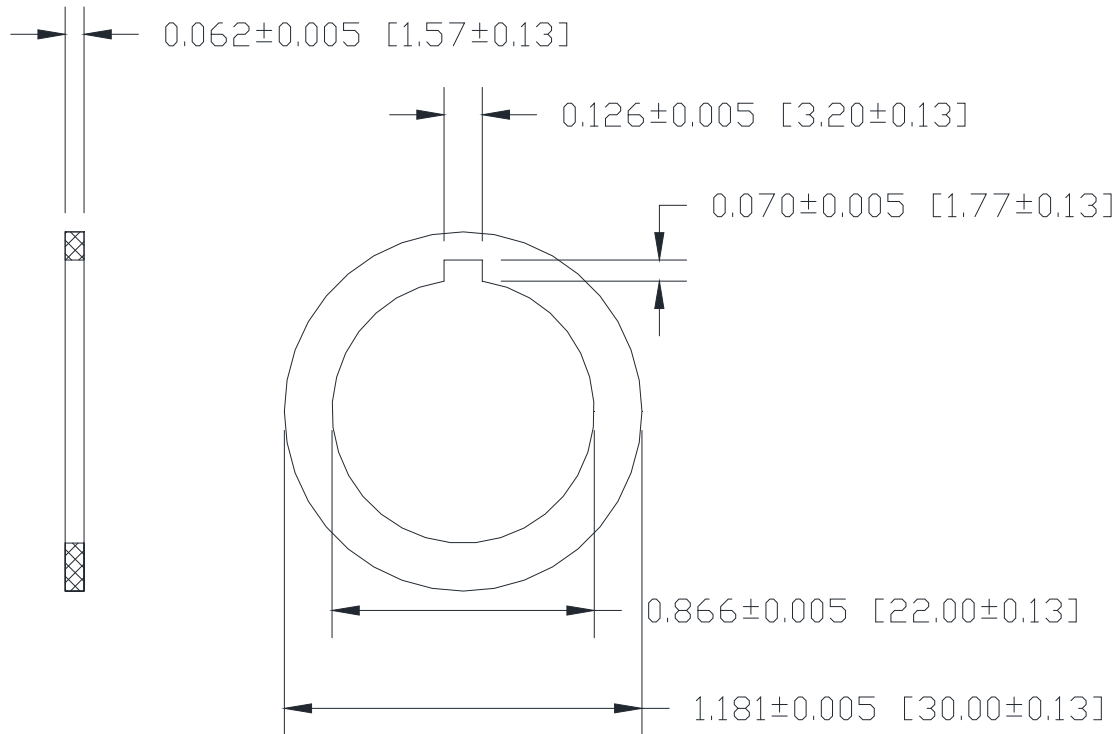


**Neoprene Gasket**

Helps seal panel hole to achieve NEMA Type 3R, 4X, & 12 application requirements



Material:  
Neoprene/EPDM/SBR  
Economy Blend  
4216-S

**Assembly Procedure**

Remove knurled nut and assemble 22MMGASKET onto threaded neck of "Z Series" Sonalert<sup>®</sup>. Gasket needs to be on external side of Panel.

Secure with mounting nut. Hand tighten only.

Material: Neoprene/EPDM/SBR Economy Blend 4216-S.

UL50, C22.2 No.94, NEMA Type 3R, 4X, & 12, and IP66 approved, RoHS compliant, Gasket.