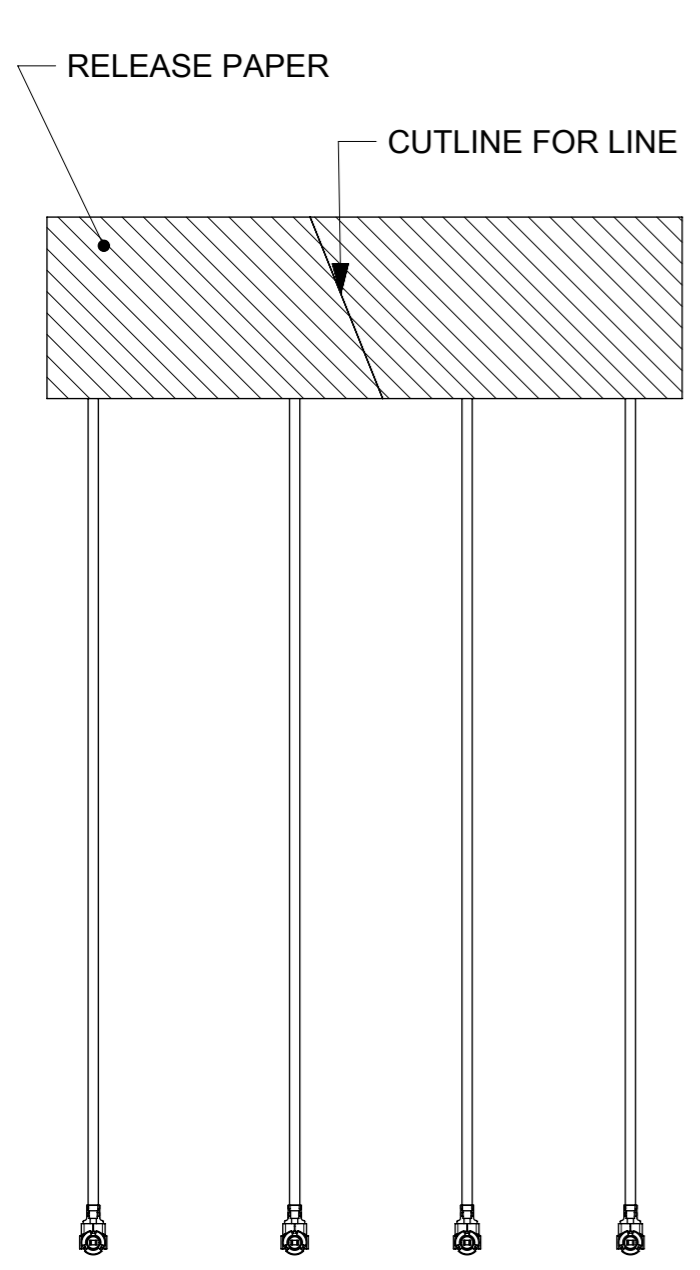
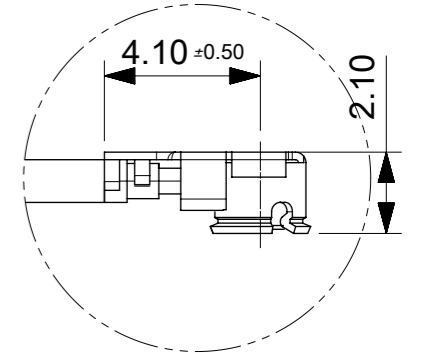
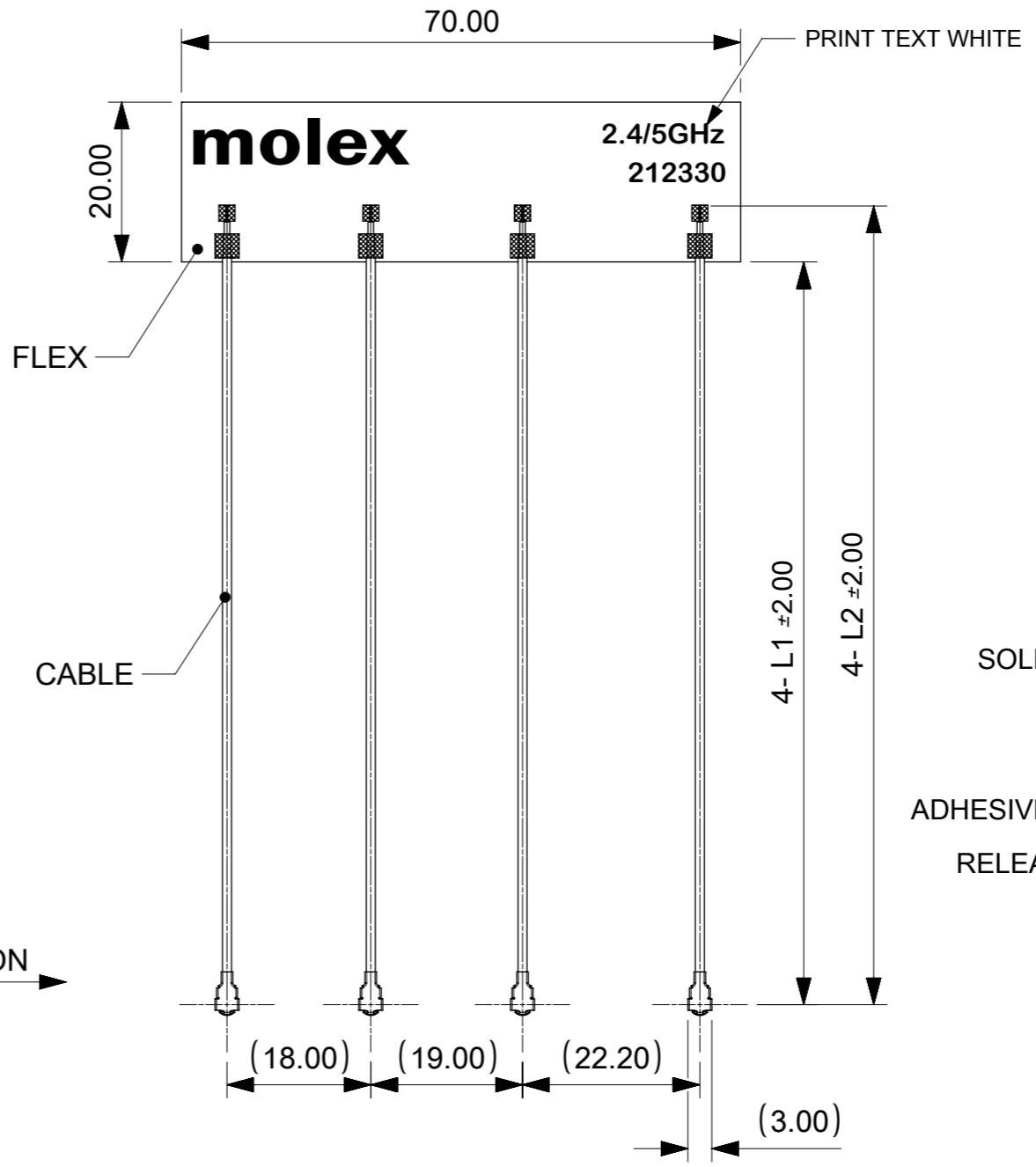
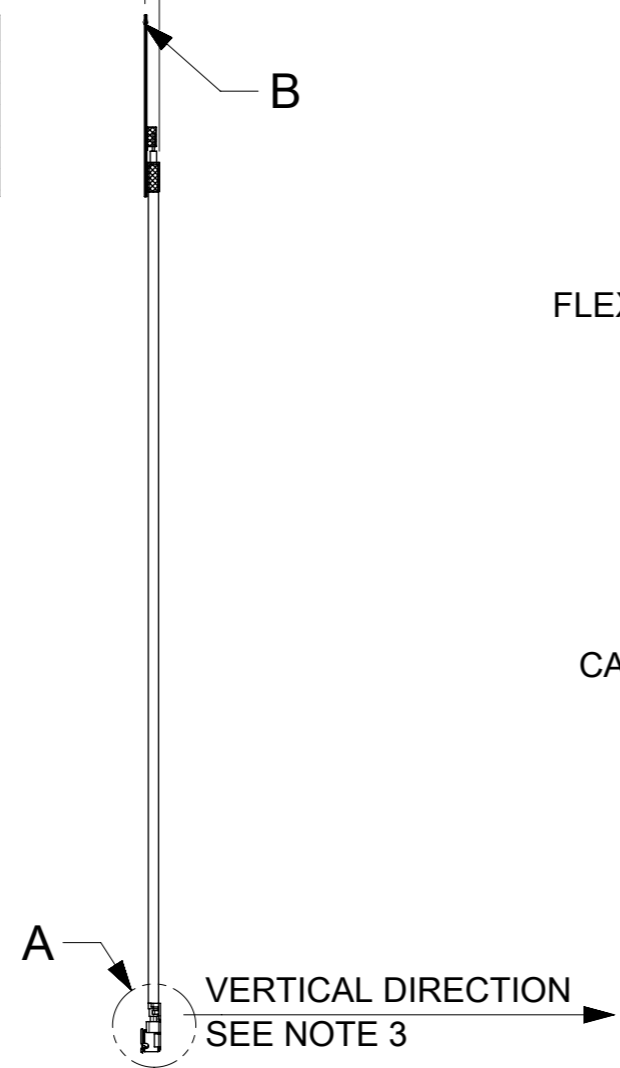


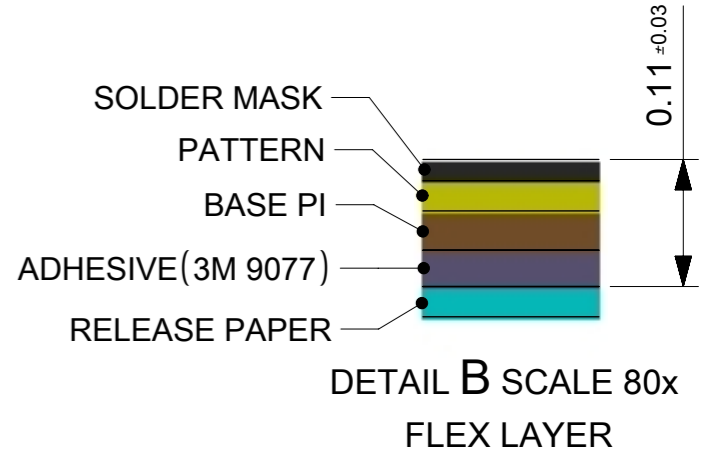
REV	DATE	DESCRIPTION
A	2019/08/13	NEW RELEASE



4- 2.00 mm MAX WITH SOLDER PASTE  
(INCLUDE FLEX)



DETAIL A SCALE 5:1  
CONNECTOR



DETAIL B SCALE 80x  
FLEX LAYER

ITEM	MATERIAL NO.	CABLE LENGTH"L1"	CABLE LENGTH"L2"
1	2123300100	93mm	100mm
2	2123300150	143mm	150mm
3	2123300200	193mm	200mm

- NOTES:
- MATERIAL:FLEX 70\*20mm  
CABLE:Ø1.13 mm  
CONNECTOR: COMPATIBLE U.FL & I-PEX MHF I.(PLUG GOLD PLATED)
  - SOLDER MASK:BLACK.
  - FOR PULL TEST, CAN NOT LIFT UP IN THE VERTICAL DIRECTION.
  - THE CONNECTOR WILL BE PROTECTED WITH A CAP.

<b>SYMBOLS</b> DIMENSION UNITS: mm SCALE: 1:1 GENERAL TOLERANCES (UNLESS SPECIFIED): ANGULAR TOL: ± ° 4 PLACES: ± 3 PLACES: ± 0.2 2 PLACES: ± 0.25 1 PLACE: ± 0.3 0 PLACES: ± 0.5 DRAFT WHERE APPLICABLE MUST REMAIN WITHIN DIMENSIONS	THIS DRAWING CONTAINS INFORMATION THAT IS PROPRIETARY TO MOLEX ELECTRONIC TECHNOLOGIES, LLC AND SHOULD NOT BE USED WITHOUT WRITTEN PERMISSION		<b>molex</b>	
	CURRENT REV DESC: EC NO: 622435 DRWN: KCHENG06 2019/08/13 CHK'D: XJSONG 2019/08/15 APPR: XJSONG 2019/08/15		2.4/5GHZ MIMO 4X4 FLEXIBLE ANTENNA	
	INITIAL REVISION: DRWN: KCHENG06 2019/08/13 APPR: XJSONG 2019/08/15		PRODUCT CUSTOMER DRAWING	
	THIRD ANGLE PROJECTION DRAWING: A3-SIZE SERIES: 212330		DOCUMENT NUMBER: 2123300100 DOC TYPE: PSD DOC PART: 000 REVISION: A	
MATERIAL NUMBER: SEE TABLE CUSTOMER: GENERAL MARKET		SHEET NUMBER: 1 OF 1		