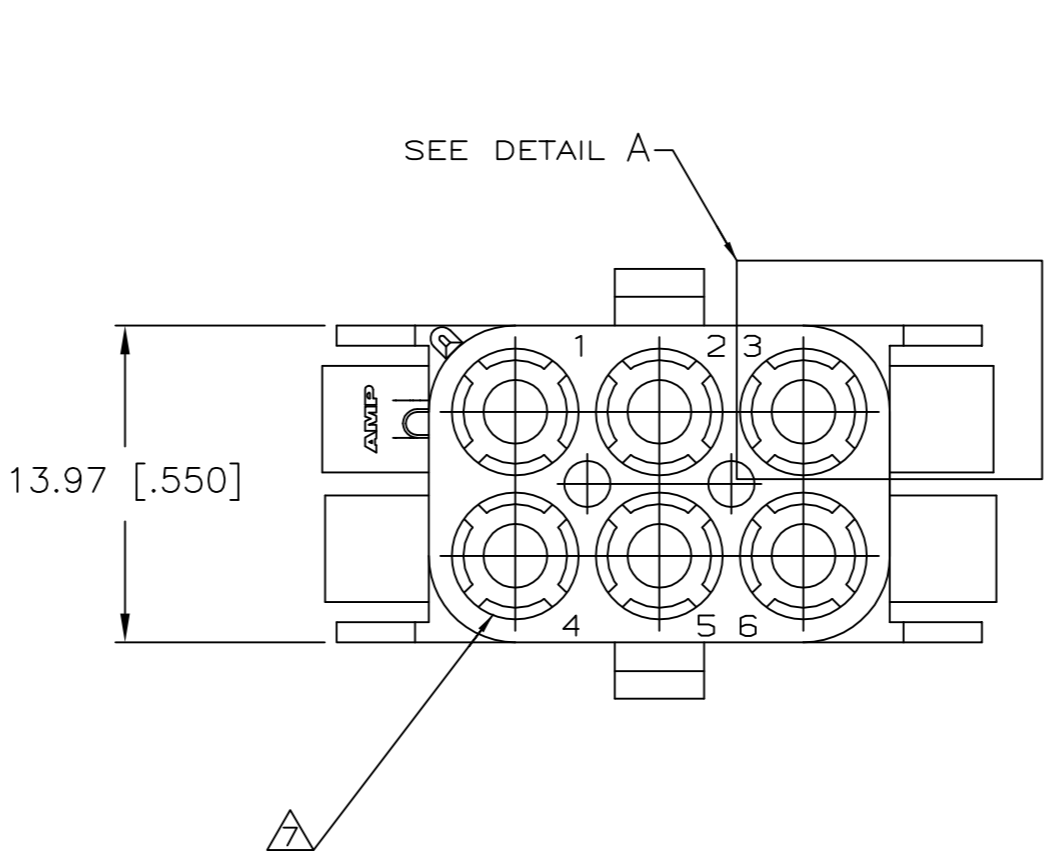
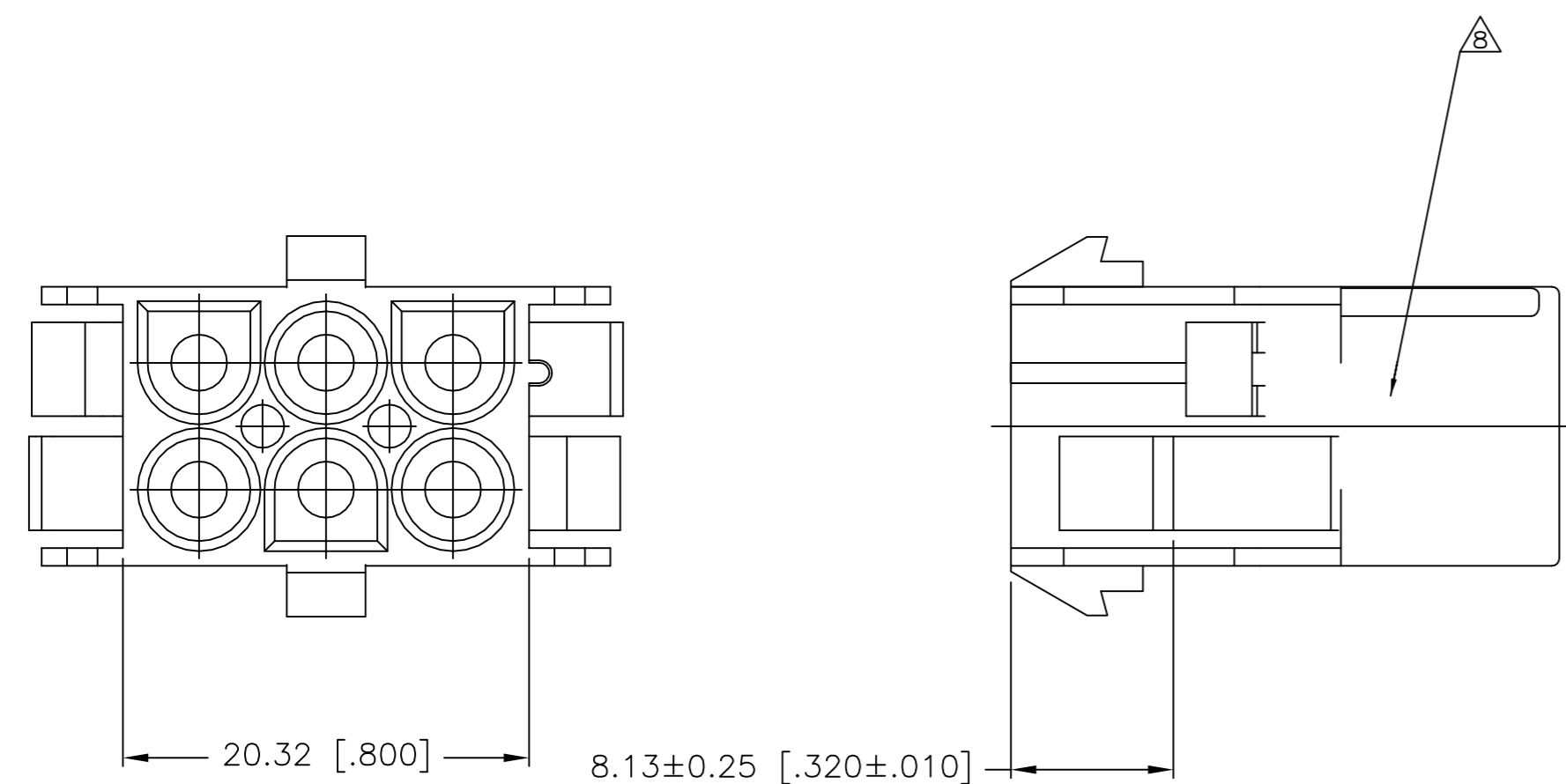
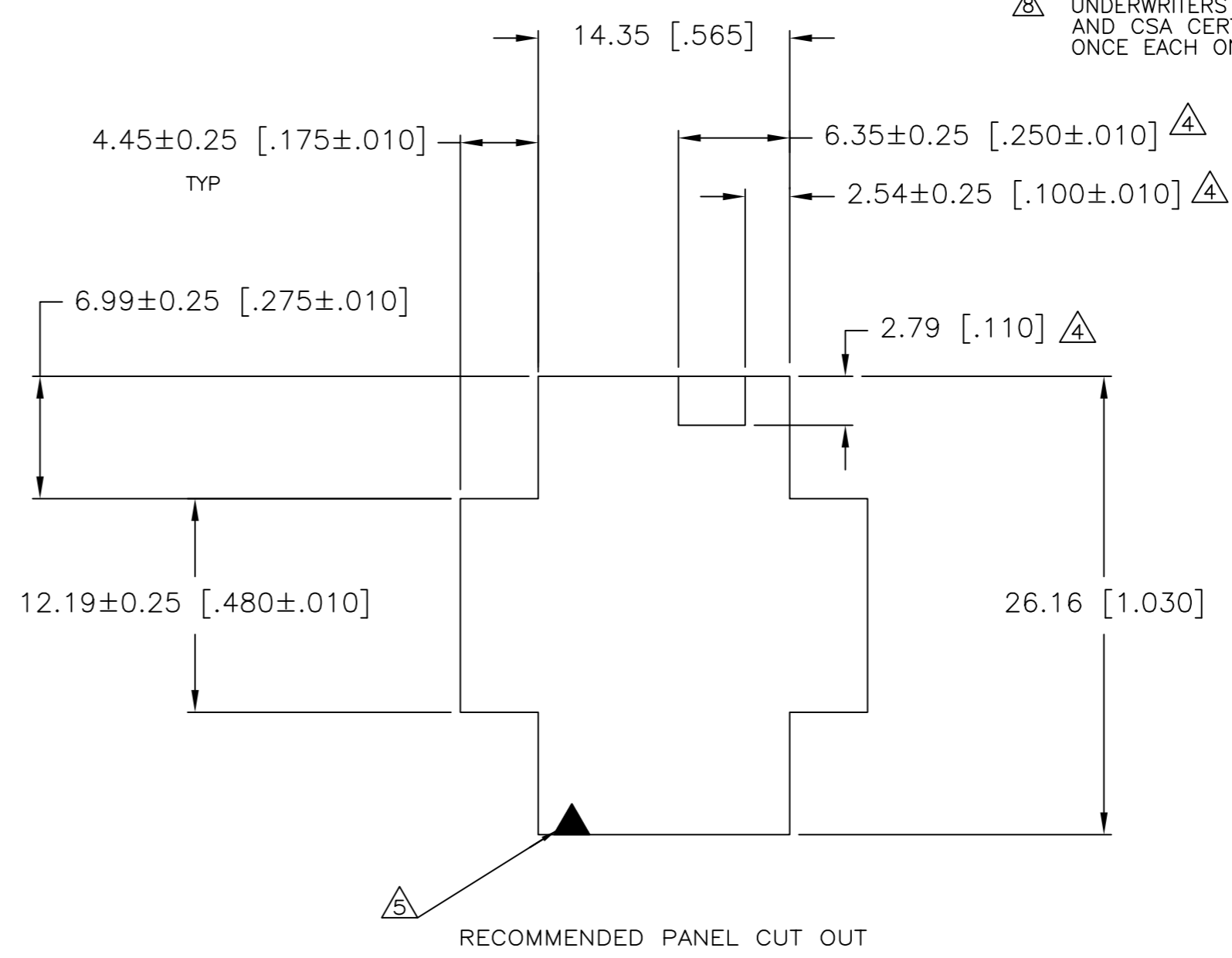
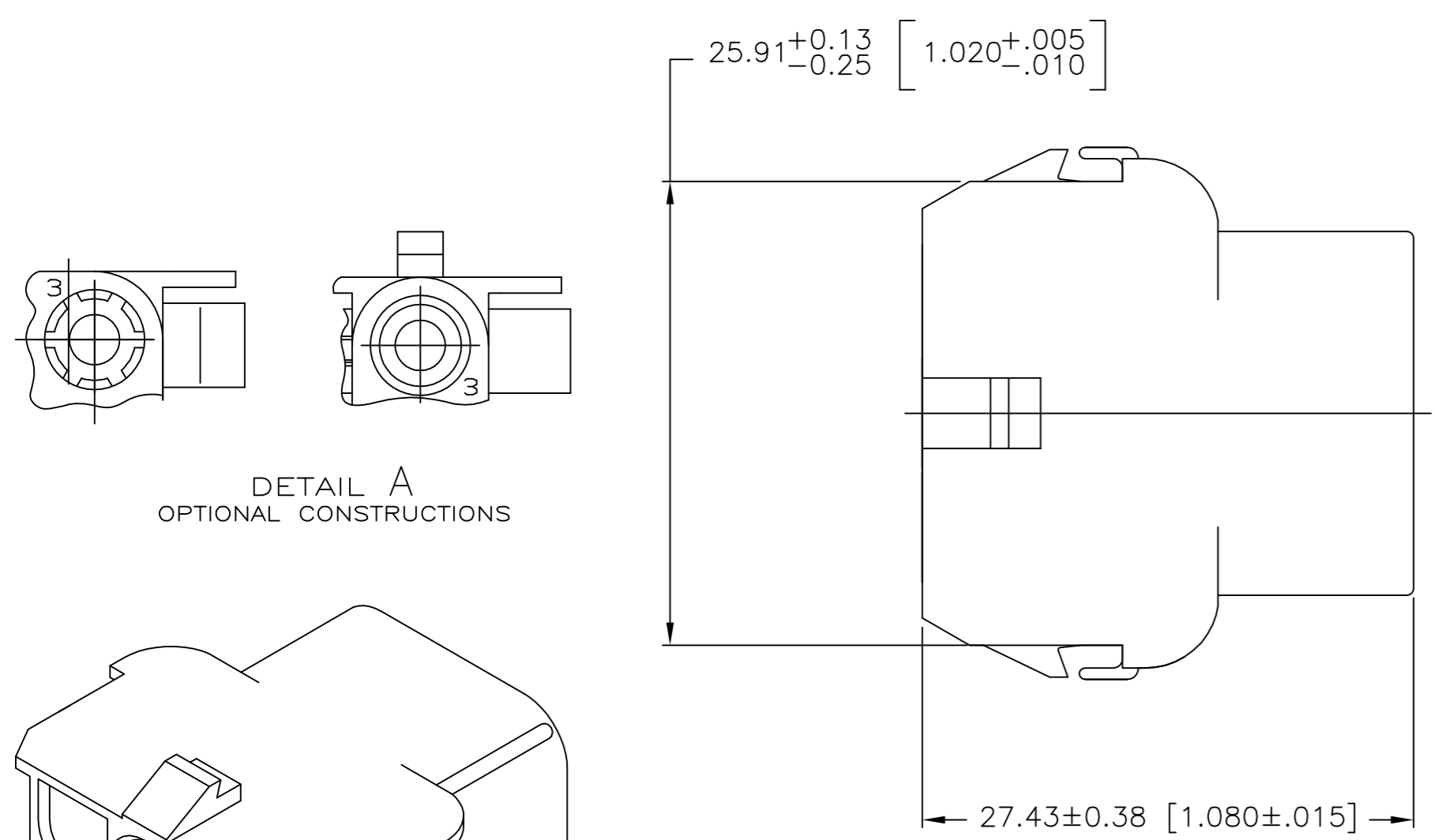


REVISIONS				
P	LTR	DESCRIPTION	DATE	APVD
A		REVISED PER ECR-17-015449	26OCT2017	BDA KR



- MATES WITH APPROPRIATE UNIVERSAL MATE-N-LOK™ PLUG.
- RECOMMENDED PANEL THICKNESS 0.76 - 2.29.
- PANEL MUST BE PUNCHED SO THAT THE HOUSING ENTERS THE PANEL IN THE SAME DIRECTION AS THE PUNCH.
- OPTIONAL FOR KEYING HOUSING IN PANEL.
- CIRCUIT NUMBER 1 LOCATION.
- DIMENSIONS SHOWN REPRESENT PRODUCT IN DRY, AS MOLDED, CONDITION. ADDITIONAL 2% GROWTH DUE TO SUBSEQUENT MOISTURE ABSORPTION MAY OCCUR AND SHOULD BE ACCOUNTED FOR.
- FOUR RIBS EQUALLY SPACED, NO SPECIFIC ORIENTATION. NO RIBS OR SIX RIBS EQUALLY SPACED, NO SPECIFIC ORIENTATION, OPTIONAL.
- UNDERWRITERS RECOGNIZED COMPONENT LOGO AND CSA CERTIFICATION LOGO TO BE LOCATED ONCE EACH ON SIDE OF HOUSING.



BLACK COLOR	1586380-1 PART NUMBER
-------------	-----------------------

THIS DRAWING IS A CONTROLLED DOCUMENT.		DWN S. HOOVER 05-MAR-2004		
DIMENSIONS: mm [INCHES]		CHK S. RIDGILL 05-MAR-2004		
TOLERANCES UNLESS OTHERWISE SPECIFIED:		APVD S. RIDGILL 05-MAR-2004	NAME CAP, 6 CIRCUIT, UV RESISTANT UNIVERSAL MATE-N-LOK™	
0 PLC ±	1 PLC ±	PRODUCT SPEC	APPLICATION SPEC	
2 PLC ± 0.13 [.005]	3 PLC ±	SIZE A2 CAGE CODE 00779 C=1586380		
4 PLC ±	4 ANGLES ±	DRAWING NO. RESTRICTED TO		
MATERIAL NYLON, UL 94V-2	FINISH	SCALE 3:1 SHEET 1 OF 1 REV A		
CUSTOMER DRAWING				

1586380