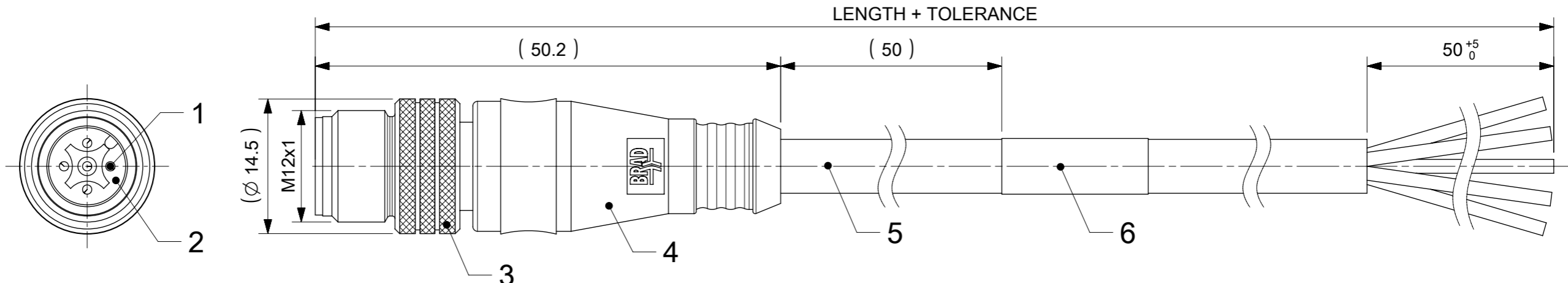
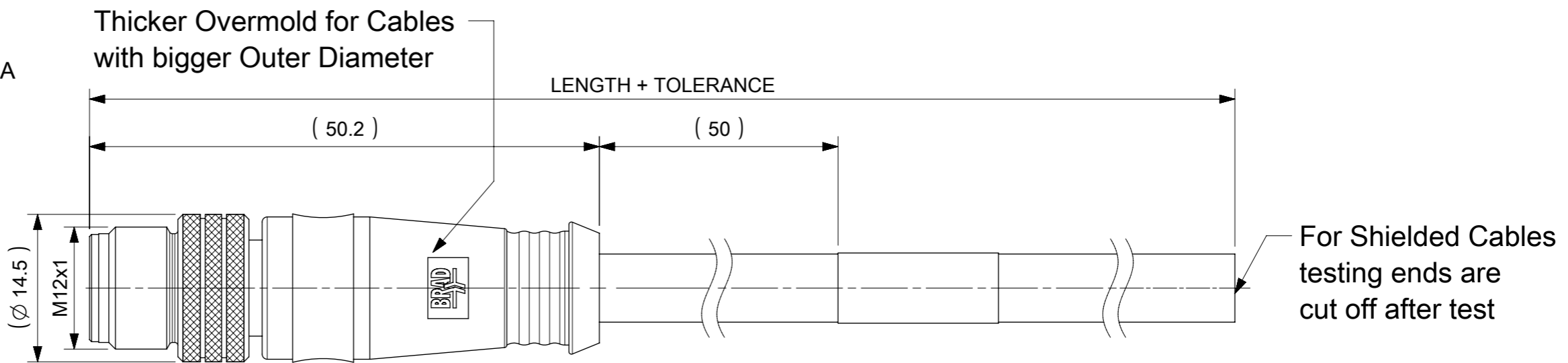
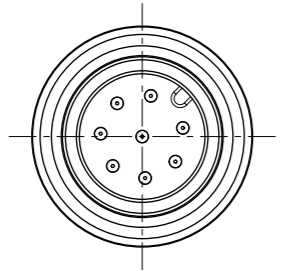


# MALE PLUG M12 STRAIGHT



**NOTES:**  
 RATED VOLTAGE: 3, 4 contacts 250V  
 5 contacts 60V  
 8 contacts 30V  
 RATED CURRENT: 3, 4, 5 contacts 4A  
 8 contacts 2A  
 PROTECTION CLASS: IP 67  
 TEMPERATURE: -25°C / +85°C



## CONTACTS POSITION FRONT VIEW:

| 3 CONTACTS |       | 4 CONTACTS |       | 5 CONTACTS |                      | 8 CONTACTS |        |
|------------|-------|------------|-------|------------|----------------------|------------|--------|
|            |       |            |       |            |                      |            |        |
| PIN        | WIRE  | PIN        | WIRE  | PIN        | WIRE                 | PIN        | WIRE   |
| 1          | BROWN | 1          | BROWN | 1          | BROWN                | 1          | WHITE  |
| 2          | ---   | 2          | WHITE | 2          | WHITE                | 2          | BROWN  |
| 3          | BLUE  | 3          | BLUE  | 3          | BLUE                 | 3          | GREEN  |
| 4          | BLACK | 4          | BLACK | 4          | BLACK                | 4          | YELLOW |
| 5          | ---   | 5          | ---   | 5          | GRAY OR YELLOW/GREEN | 5          | GREY   |
|            |       |            |       |            |                      | 6          | PINK   |
|            |       |            |       |            |                      | 7          | BLUE   |
|            |       |            |       |            |                      | 8          | RED    |

FOR OPTIONS SEE - NUMERICAL CODE - ON SHEET 2

| ITEM | QTY.          | DESCRIPTION             | MATERIAL    | FINISH               |
|------|---------------|-------------------------|-------------|----------------------|
| 6    | 1             | LABEL YELLOW            | VINYL       | ---                  |
|      | -             | PRINTING FOR CABLES lxx | ---         | ---                  |
| 5    | -             | CABLE                   | SEE SHEET 2 | ---                  |
| 4    | -             | OVERMOLDING BLACK       | TPU         | ---                  |
| 3    | 1             | COUPLING NUT MALE       | BRASS       | NICKEL               |
| 2    | 1             | INSERT MALE BLACK       | PUR         | ---                  |
| 1    | 3 / 4 / 5 / 8 | CONTACT M12 MALE        | BRASS       | SELECTIVE Au OVER Ni |

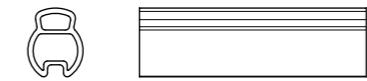
THIS DRAWING CONTAINS INFORMATION THAT IS PROPRIETARY TO MOLEX ELECTRONIC TECHNOLOGIES, LLC AND SHOULD NOT BE USED WITHOUT WRITTEN PERMISSION

|  |         |  |                 |          |
|--|---------|--|-----------------|----------|
| DIMENSION UNITS                                      | SCALE   | CURRENT REV DESC:  |                 |          |
| mm   | 2:1     |  |                 |          |
| GENERAL TOLERANCES (UNLESS SPECIFIED)                |         | <p><b>molex</b></p> <p>CSE M12 XP AC MA STR XM SE UNSH</p> <p>PRODUCT CUSTOMER DRAWING</p> |                 |          |
| ANGULAR TOL  | ± 1.0 ° |  |                 |          |
| 4 PLACES   | ±       |  |                 |          |
| 3 PLACES   | ±       |  |                 |          |
| 2 PLACES   | ± 0.05  |  |                 |          |
| 1 PLACE  | ± 0.1   | EC NO: 726454  | 2022/11/22      |          |
| 0 PLACES   | ± 0.2   | DRWN: LIKITV   | 2022/11/30      |          |
| DRAFT WHERE APPLICABLE MUST REMAIN WITHIN DIMENSIONS |         | APPR: GGA  | 2022/11/30      |          |
| THIRD ANGLE PROJECTION                               |         | INITIAL REVISION:  | DOCUMENT NUMBER | DOC TYPE |
| DRAWING  |         | DRWN: JMARSZALEK   | 1200650971      | PSD      |
| SERIES   |         | APPR: RSILLER  | DOC PART        | REVISION |
| A3-SIZE  |         | 2016/01/13   | 000             | A8       |
| MATERIAL NUMBER                                      |         | 2016/04/08   | SHEET NUMBER    |          |
| CUSTOMER   |         | 120065   | 1 OF 3          |          |
| GENERAL MARKET                                       |         | SEE SHEET 3  |                 |          |

CODING REQUIRED TO IEC 61076-2-101

ENGINEERING NO. - NUMERICAL CODE (Available parts see PART LIST table. Others on request).

OPTIONS



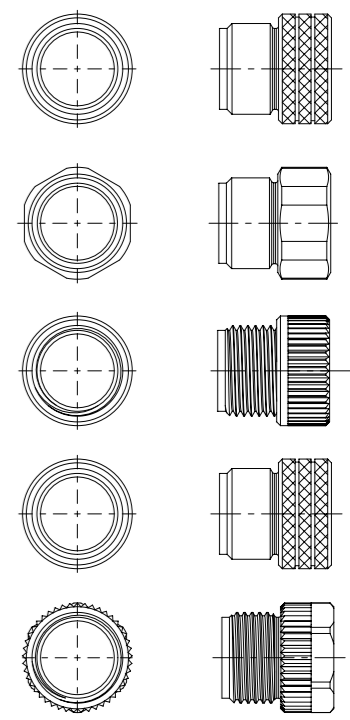
H= 2 pcs. of I/D Carrier  
PVC Transparent  
(Cables lxx & P82 always with 2 pcs. of I/D Carrier even if no H in Engineering No.)

8 0 X 0 0 6 X X X X X X X X

80=M12x1 Single ended  
Contacts: 3=3 Contacts, 4=4 Contacts, 5=5 Contacts, 8=8 Contacts  
Heads style: 006=Plug Male Straight  
Cable type: See Table  
Units: M=Meter, C=Centimeter  
Length Examples: 005=0.5 unit, 010=1 unit, 100=10 units

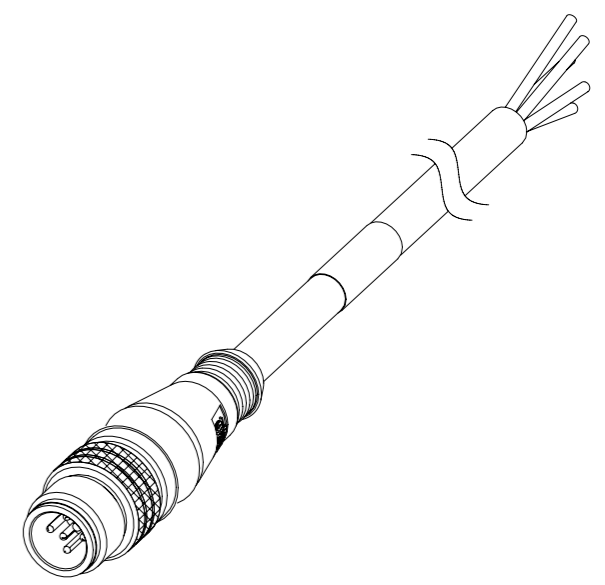
Overmold color:  
Blank (Standard)=Black TPU  
Blank=Yellow TPU for cables A09,S19,S20,S26  
Blank=Yellow TPE-E for cables K03,K05  
A=Grey / G=Black / Y=Yellow  
Coupling Nut:  
Blank (Standard) & 3=Knurled Brass Ni Plated  
1=Hexagonal Stainless steel  
5=Knurled Derlin  
7=Knurled Brass Ni Plated, Teflon Coated  
Blank=7 for cables I20, I26, K03, K05, P82, S26  
9=Knurled / Hexagonal Brass Ni Plated SW13

COUPLING NUTS



CABLE INFORMATION (for more information see Cable Data Sheet).

| CABLE TYPE | NO. OF WIRES | CROSS SECTION       | CABLE JACKET   | UL                     | CSA                   | STATIC: TEMP. / BENDING RADIUS | DYNAMIC: TEMP. / BENDING RADIUS | DRAG CHAIN | SHIELD |
|------------|--------------|---------------------|----------------|------------------------|-----------------------|--------------------------------|---------------------------------|------------|--------|
| E52        | 3 / 4 / 8    | 0.34mm <sup>2</sup> | PVC GREY       | -                      | -                     | -30°C to +70°C                 | -5°C to +70°C                   | -          | -      |
| I02        | 3 / 4 / 8    | 0.25mm <sup>2</sup> | PVC CEI GREY   | -                      | -                     | -30°C to +70°C                 | -5°C to +70°C                   | -          | -      |
| I03        | 3 / 4 / 5    | 0.34mm <sup>2</sup> | PVC CEI GREY   | -                      | -                     | -30°C to +70°C                 | -5°C to +70°C                   | -          | -      |
| I20        | 3 / 4        | 0.34mm <sup>2</sup> | PVC CEI GREY   | -                      | -                     | -30°C to +70°C                 | -5°C to +70°C                   | -          | YES    |
| I26        | 5            | 0.34mm <sup>2</sup> | PVC CEI GREY   | -                      | -                     | -30°C to +70°C                 | -5°C to +70°C                   | -          | -      |
| K03        | 4 / 5        | 0.34mm <sup>2</sup> | TPE YELLOW     | UL JEC 60332-1 or PLCT | I/II 90°C/300V        | -                              | -                               | -          | -      |
| K05        | 3 / 4 / 5    | 0.34mm <sup>2</sup> | TPE YELLOW     | UL ITC E195601 or PLC  | I/II A/B 90°C/300V    | -                              | -                               | -          | -      |
| P04        | 4            | 0.50mm <sup>2</sup> | PUR BLACK      | -                      | -                     | -40°C to +90°C, 7.5xO.D.       | -15°C to +90°C, 12.5xO.D.       | -          | -      |
| P12        | 3 / 5        | 0.50mm <sup>2</sup> | PUR BLACK      | -                      | -                     | -30°C to +90°C                 | -5°C to +90°C                   | -          | -      |
| P20        | 3 / 4 / 5    | 0.34mm <sup>2</sup> | PUR BLACK LS0H | -                      | -                     | -30°C to +80°C                 | -                               | -          | YES    |
| P82        | 3 / 4 / 5    | 0.34mm <sup>2</sup> | PUR IRR ORANGE | -                      | -                     | -50°C to +105°C, 5xO.D.        | -40°C to +105°C, 7.5xO.D.       | -          | -      |
| S19        | 8            | 0.25mm <sup>2</sup> | PVC YELLOW     | UL 2661/1569           | C22.2 II A 105°C/300V | -30°C to +105°C, 10xO.D.       | -15°C to +105°C, 15xO.D.        | -          | YES    |
| S20        | 3 / 4 / 5    | 0.34mm <sup>2</sup> | PVC YELLOW     | UL 2661/1731           | C22.2 II A 105°C/300V | -30°C to +105°C                | -                               | -          | YES    |
| S26        | 5            | 0.34mm <sup>2</sup> | PVC YELLOW     | UL 2661/1731           | C22.2 II A 105°C/300V | -30°C to +105°C                | -                               | -          | YES    |



SCALE 1:1

| OVER    | UP TO AND INCLUDING | TOLERANCES             |
|---------|---------------------|------------------------|
| 0       | 305mm               | +19mm                  |
| 305mm   | 915mm               | +45mm                  |
| 915mm   | 1830mm              | +56mm                  |
| 1830mm  | 3660mm              | +89mm                  |
| 3660mm  | 7320mm              | +165mm                 |
| 7320mm  | 14640mm             | +317mm                 |
| 14640mm | 30500mm             | +610mm                 |
| 30500mm | >                   | +2% OF FINISHED LENGTH |


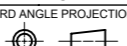
THIS DRAWING CONTAINS INFORMATION THAT IS PROPRIETARY TO MOLEX ELECTRONIC TECHNOLOGIES, LLC AND SHOULD NOT BE USED WITHOUT WRITTEN PERMISSION

|  |        |                   |                                 |                 |                |
|--|--------|-------------------|---------------------------------|-----------------|----------------|
| DIMENSION UNITS                                      | SCALE  | CURRENT REV DESC: | <b>molex</b>                    |                 |                |
| mm   | 1:1    |                   |                                 |                 |                |
| GENERAL TOLERANCES (UNLESS SPECIFIED)                |        |                   | CSE M12 XP AC MA STR XM SE UNSH |                 |                |
| ANGULAR TOL  | ± 1.0° | EC NO: 726454     | PRODUCT CUSTOMER DRAWING        |                 |                |
| 4 PLACES   | ±      | DRWN: LIKITV      | 2022/11/22                      |                 |                |
| 3 PLACES   | ±      | CHK'D: GGA        | 2022/11/30                      |                 |                |
| 2 PLACES   | ± 0.05 | APPR: GGA         | 2022/11/30                      |                 |                |
| 1 PLACE  | ± 0.1  | INITIAL REVISION: |                                 |                 |                |
| 0 PLACES   | ± 0.2  | DRWN: JMARSZALEK  | 2016/01/13                      | DOCUMENT NUMBER | DOC TYPE       |
| DRAFT WHERE APPLICABLE MUST REMAIN WITHIN DIMENSIONS |        |                   | APPR: RSILLER                   | 2016/04/08      | DOC PART       |
| THIRD ANGLE PROJECTION                               |        |                   | SERIES                          | MATERIAL NUMBER | CUSTOMER       |
| DRAWING  |        |                   | A3-SIZE                         | 120065          | GENERAL MARKET |
| SHEET NUMBER   |        |                   | 2 OF 3                          | SEE SHEET 3     |                |

# PART LIST

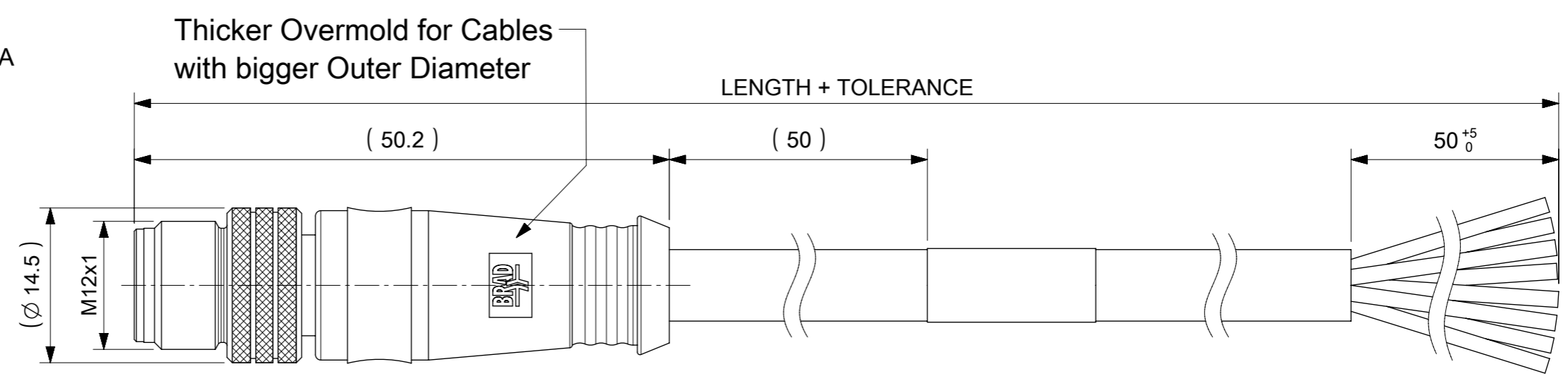
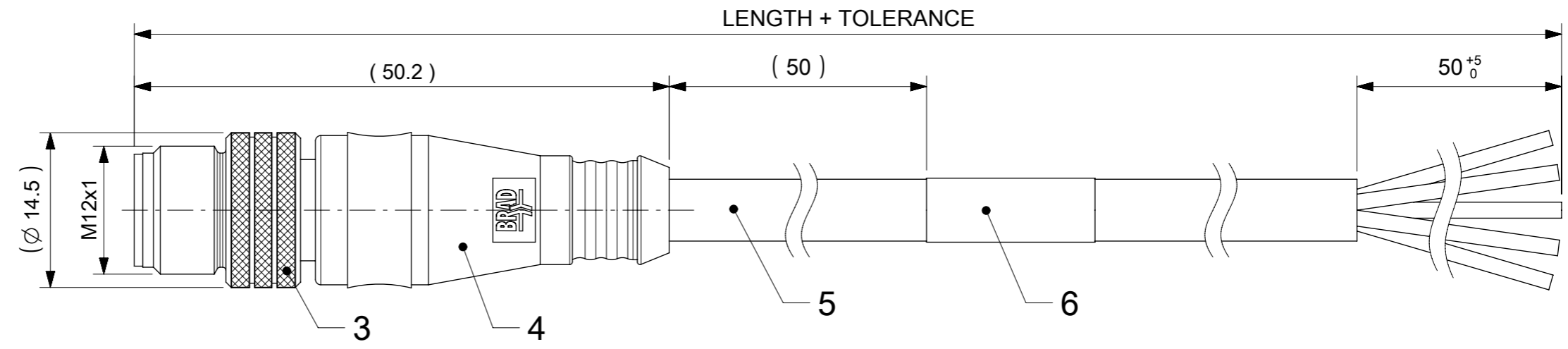
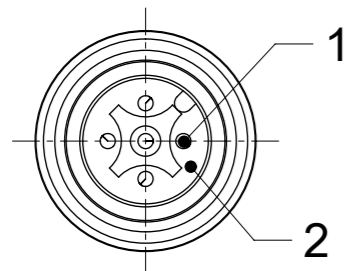
| No. | Part No.   | Engineering No. | Cable Length |
|-----|------------|-----------------|--------------|
| 1   | 1200060243 | 803006E52M050A  | 5m           |
| 2   | 1200060252 | 803006I03M020   | 2m           |
| 3   | 1200060253 | 803006I03M030   | 3m           |
| 4   | 1200060254 | 803006I03M050   | 5m           |
| 5   | 1200060565 | 804006I03M020   | 2m           |
| 6   | 1200060567 | 804006I03M050   | 5m           |
| 7   | 1200060568 | 804006I03M100   | 10m          |
| 8   | 1200060578 | 804006S20M010   | 1m           |
| 9   | 1200060579 | 804006S20M020   | 2m           |
| 10  | 1200060581 | 804006S20M100   | 10m          |
| 11  | 1200060674 | 805006I03M005   | 0.5m         |
| 12  | 1200060675 | 805006I03M020   | 2m           |
| 13  | 1200060684 | 805006S26M020   | 2m           |
| 14  | 1200061023 | 804006I20M003   | 0.3m         |
| 15  | 1200061551 | 803006S20M050   | 5m           |
| 16  | 1200061663 | 804006E52M100A  | 10m          |
| 17  | 1200061664 | 804006E52M200A  | 20m          |
| 18  | 1200061781 | 805006I26M050   | 5m           |
| 19  | 1200062540 | 805006P12M010   | 1m           |
| 20  | 1200062541 | 805006P12M015   | 1.5m         |
| 21  | 1200062606 | 803006S20M100   | 10m          |
| 22  | 1200062618 | 805006P12M0035  | 0.3m         |
| 23  | 1200062770 | 805006P12M030   | 3m           |
| 24  | 1200063282 | 805006P20M010   | 1m           |
| 25  | 1200064014 | 803006P82M0067  | 0.6m         |
| 26  | 1200064375 | 803006P82M0107  | 1m           |
| 27  | 1200064444 | 805006I03C150   | 0.15m        |
| 28  | 1200650971 | 808006S19M010   | 1m           |
| 29  | 1200651133 | 804006K05M100   | 10m          |
| 30  | 1200651788 | 804006E52M005A  | 0.5m         |
| 31  | 1200651790 | 804006E52M050A  | 5m           |
| 32  | 1200658170 | 805006S26M050   | 5m           |
| 33  | 1200658201 | 804006S20M050   | 5m           |
| 34  | 1200658325 | 804006I03M010   | 1m           |
| 35  | 1200658497 | 804006P20M150   | 15m          |

| No. | Part No.   | Engineering No. | Cable Length |
|-----|------------|-----------------|--------------|
| 36  | 1200658595 | 803006I03M040   | 4m           |
| 37  | 1200658601 | 804006I03M040   | 4m           |
| 38  | 1200658961 | 804006S20M0201  | 2m           |
| 39  | 1200658962 | 804006S20M1001  | 10m          |
| 40  | 1200658965 | 804006S20M0501  | 5m           |
| 41  | 1200658973 | 805006S20M050   | 5m           |
| 42  | 1200659122 | 804006I03M050Y  | 5m           |
| 43  | 1200659174 | 805006S26M050H  | 5m           |
| 44  | 1200659347 | 804006S20M350   | 35m          |
| 45  | 1200659364 | 804006S20M010H  | 1m           |
| 46  | 1200699506 | 808006S19M020   | 2m           |
| 47  | 1200699507 | 808006S19M030   | 3m           |
| 48  | 1200699508 | 808006S19M050   | 5m           |
| 49  | 1200699509 | 808006S19M100   | 10m          |
| 50  | 1200064547 | 804006K03M100   | 10m          |
| 51  | 1200652151 | 805006K03M050   | 5m           |
| 52  | 1200651129 | 804006K05M020   | 2m           |
| 53  | 1200651131 | 804006K05M050   | 5m           |
| 54  | 1200651374 | 805006K03M020   | 2m           |
| 55  |            |                 |              |
| 56  |            |                 |              |
| 57  |            |                 |              |
| 58  |            |                 |              |
| 59  |            |                 |              |
| 60  |            |                 |              |
| 61  |            |                 |              |
| 62  |            |                 |              |
| 63  |            |                 |              |
| 64  |            |                 |              |
| 65  |            |                 |              |
| 66  |            |                 |              |
| 67  |            |                 |              |
| 68  |            |                 |              |
| 69  |            |                 |              |
| 70  |            |                 |              |

|   |  |        |  |   |  |                 |  |   |  |                          |  |          |  |
|---|--|--------|--|---|--|-----------------|--|---|--|--------------------------|--|----------|--|
| THIS DRAWING CONTAINS INFORMATION THAT IS PROPRIETARY TO MOLEX ELECTRONIC TECHNOLOGIES, LLC AND SHOULD NOT BE USED WITHOUT WRITTEN PERMISSION |  |        |  |   |  |                 |  |   |  |                          |  |          |  |
| DIMENSION UNITS   |  | SCALE  |  | CURRENT REV DESC:   |  |                 |  |  |  |                          |  |          |  |
| mm  |  | 1:1    |  |   |  |                 |  |   |  |                          |  |          |  |
| GENERAL TOLERANCES (UNLESS SPECIFIED)   |  |        |  | EC NO: 726454<br>DRWN: LIKITV 2022/11/22<br>CHK'D: GGA 2022/11/30<br>APPR: GGA 2022/11/30 |  |                 |  | CSE M12 XP AC MA STR XM SE UNSH   |  | PRODUCT CUSTOMER DRAWING |  |          |  |
| ANGULAR TOL ± 1.0 °   |  |        |  |   |  |                 |  |   |  |                          |  |          |  |
| 4 PLACES  |  | ±      |  |   |  |                 |  | DOCUMENT NUMBER   |  | DOC TYPE                 |  | DOC PART |  |
| 3 PLACES  |  | ±      |  |   |  |                 |  | 1200650971  |  | PSD                      |  | 000      |  |
| 2 PLACES  |  | ± 0.05 |  |   |  |                 |  | INITIAL REVISION:   |  | REVISION                 |  | A8       |  |
| 1 PLACE   |  | ± 0.1  |  | DRWN: JMARSZALEK 2016/01/13   |  | 2016/04/08      |  |   |  |                          |  |          |  |
| 0 PLACES  |  | ± 0.2  |  | APPR: RSILLER   |  |                 |  |   |  |                          |  |          |  |
| DRAFT WHERE APPLICABLE MUST REMAIN WITHIN DIMENSIONS  |  |        |  | THIRD ANGLE PROJECTION  |  | DRAWING         |  | SERIES  |  |                          |  |          |  |
|   |  |        |  |      |  | A3-SIZE         |  | 120065  |  |                          |  |          |  |
|   |  |        |  |   |  | MATERIAL NUMBER |  | CUSTOMER  |  |                          |  |          |  |
|   |  |        |  |   |  | SEE PART LIST   |  | GENERAL MARKET  |  |                          |  |          |  |
|   |  |        |  |   |  |                 |  | SHEET NUMBER  |  |                          |  |          |  |
|   |  |        |  |   |  |                 |  | 3 OF 3  |  |                          |  |          |  |

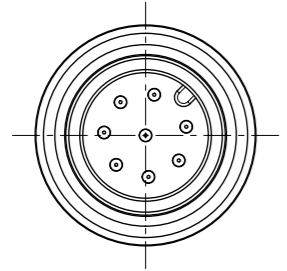
|                 |    |              |            |          |
|-----------------|----|--------------|------------|----------|
| DOCUMENT STATUS | P1 | RELEASE DATE | 2022/11/30 | 11:33:42 |
|-----------------|----|--------------|------------|----------|

# MALE PLUG M12 STRAIGHT



**NOTES:**

- RATED VOLTAGE: 3, 4 contacts 250V  
5 contacts 60V  
8 contacts 30V
- RATED CURRENT: 3, 4, 5 contacts 4A  
8 contacts 2A
- PROTECTION CLASS: IP 67
- TEMPERATURE: -25°C / +85°C



**CONTACTS POSITION FRONT VIEW:**

| 3 CONTACTS |       | 4 CONTACTS |       | 5 CONTACTS |                      | 8 CONTACTS |        |
|------------|-------|------------|-------|------------|----------------------|------------|--------|
|            |       |            |       |            |                      |            |        |
| PIN        | WIRE  | PIN        | WIRE  | PIN        | WIRE                 | PIN        | WIRE   |
| 1          | BROWN | 1          | BROWN | 1          | BROWN                | 1          | WHITE  |
| 2          | ---   | 2          | WHITE | 2          | WHITE                | 2          | BROWN  |
| 3          | BLUE  | 3          | BLUE  | 3          | BLUE                 | 3          | GREEN  |
| 4          | BLACK | 4          | BLACK | 4          | BLACK                | 4          | YELLOW |
| 5          | ---   | 5          | ---   | 5          | GREY OR GREEN/YELLOW | 5          | GREY   |
|            |       |            |       |            |                      | 6          | PINK   |
|            |       |            |       |            |                      | 7          | BLUE   |
|            |       |            |       |            |                      | 8          | RED    |

CODING REQUIRED TO IEC 61076-2-101

**FOR OPTIONS SEE - NUMERICAL CODE - ON SHEET 2**

|      |               |                   |             |                      |
|------|---------------|-------------------|-------------|----------------------|
| 7    | SEE MATRIX    | D CARRIER         | PVC         | TRANSPARENT          |
| 6    | 1             | LABEL YELLOW      | VINYL       | ---                  |
| 5    | -             | CABLE             | SEE SHEET 2 | ---                  |
| 4    | -             | OVERMOLDING BLACK | TPU         | ---                  |
| 3    | 1             | COUPLING NUT MALE | BRASS       | NICKEL               |
| 2    | 1             | INSERT MALE BLACK | PUR         | ---                  |
| 1    | 3 / 4 / 5 / 8 | CONTACT M12 MALE  | BRASS       | SELECTIVE Au OVER Ni |
| ITEM | QTY.          | DESCRIPTION       | MATERIAL    | FINISH               |

THIS DRAWING CONTAINS INFORMATION THAT IS PROPRIETARY TO MOLEX ELECTRONIC TECHNOLOGIES, LLC AND SHOULD NOT BE USED WITHOUT WRITTEN PERMISSION

DIMENSION UNITS: mm SCALE: 2:1

GENERAL TOLERANCES (UNLESS SPECIFIED): ANGULAR TOL ± 1.0°

4 PLACES ± 0.15  
3 PLACES ± 0.10  
2 PLACES ± 0.05  
1 PLACE ± 0.3  
0 PLACES ± 0.5

DRAFT WHERE APPLICABLE MUST REMAIN WITHIN DIMENSIONS

THIRD ANGLE PROJECTION

DRAWING: A3-SIZE

SERIES: 120065

MATERIAL NUMBER: SEE TABLE

CUSTOMER: GENERAL MARKET

SHEET NUMBER: 1 OF 4

EC NO: 732259  
DRWN: SANTHN 2022/12/20  
CHK'D: GGA 2022/12/21  
APPR: GGA 2022/12/21

INITIAL REVISION:  
DRWN: JMARSZALEK 2016/01/12  
APPR: RSILLER 2016/04/08

DOCUMENT NUMBER: 1200659185

DOC TYPE: PSD

DOC PART: 000

REVISION: A11

**molex**

CSE M12 XP AC MA STR XM SE UNSH

PRODUCT CUSTOMER DRAWING

ENGINEERING NO. - NUMERICAL CODE (Available parts see PART LIST table. Others on request).

8 0 X 0 0 6 X X X X X X X X

OPTIONS

80=M12x1 Single ended

Contacts:  
3=3 Contacts  
4=4 Contacts  
5=5 Contacts  
8=8 Contacts

Heads style:  
006=Plug Male Straight

Cable type: See Table

Units:  
M=Meter

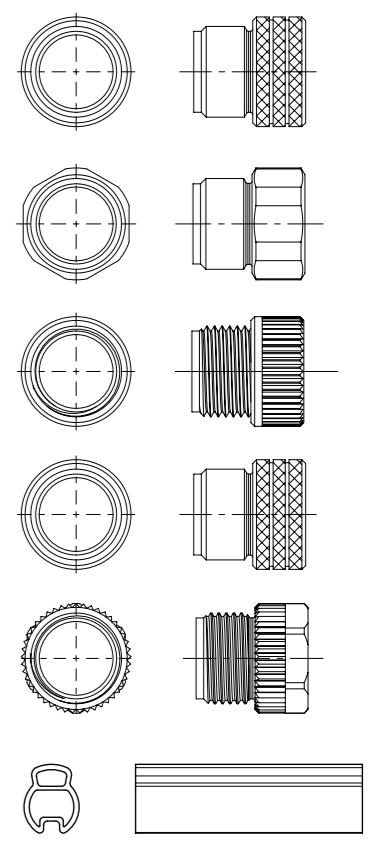
Length  
Examples:  
005=0.5 unit  
010=1 unit  
100=10 units

Overmold color:  
Blank (Standard)=Black  
A=Grey / G=Black / Y=Yellow  
For Cable A09=Yellow

Coupling Nut:  
Blank (Standard) & 3=Knurled Brass Ni Plated  
1 or 8=Hexagonal Stainless steel  
5=Knurled Derlin  
7=Knurled Brass Ni Plated, Teflon Coated  
Blank=7 for cables I20, I26, K03, K05, P82, S26  
9=Knurled / Hexagonal Brass Ni Plated

H= 2 pcs. of I/D Carrier PVC Transparent

COUPLING NUTS

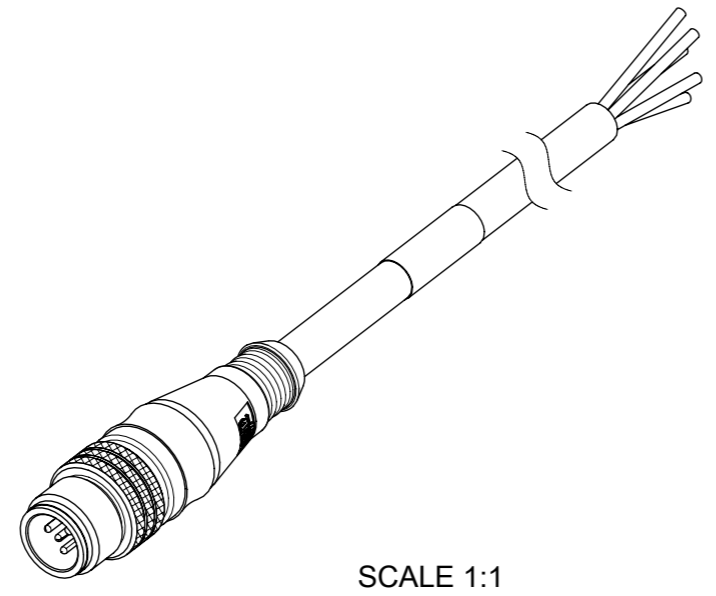


CABLE INFORMATION (for more information see Cable Data Sheet).

| CABLE TYPE | NO. OF WIRES  | CROSS SECTION       | CABLE JACKET    | UL             | CSA                      | STATIC: TEMP. / BENDING RADIUS | DYNAMIC: TEMP. / BENDING RADIUS | DRAG CHAIN  | SHIELD |
|------------|---------------|---------------------|-----------------|----------------|--------------------------|--------------------------------|---------------------------------|---|--------|
| E02        | 3 / 4 / 5 / 8 | 0.25mm <sup>2</sup> | PVC BLACK       | UL 2464/1729   | C22.2 I/II A/B 80°C/300V | -30°C to +80°C, 10xO.D.        | -10°C to +80°C, 15xO.D.         | -   | -      |
| E03        | 3 / 4 / 5     | 0.34mm <sup>2</sup> | PVC BLACK       | UL 2464/1729   | C22.2 I/II A/B 80°C/300V | -30°C to +80°C, 10xO.D.        | -10°C to +80°C, 15xO.D.         | -   | -      |
| H08        | 3 / 4 / 5 / 8 | 0.25mm <sup>2</sup> | PUR BLACK LS0H  | UL 21198/10493 | C22.2 I/II A/B 80°C/300V | -40°C to +80°C, 5xO.D.         | -25°C to +80°C, 10xO.D.         | 2 000 000 cycles at 20°C, Temp. range +5°C to +60°C | -      |
| H09        | 3 / 4 / 5     | 0.34mm <sup>2</sup> | PUR BLACK LS0H  | UL 21198/10493 | C22.2 I/II A/B 80°C/300V | -40°C to +80°C, 5xO.D.         | -25°C to +80°C, 10xO.D.         | 2 000 000 cycles at 20°C, Temp. range +5°C to +60°C | -      |
| P02        | 3 / 4 / 5 / 8 | 0.25mm <sup>2</sup> | PUR / PVC BLACK | -              | -                        | -30°C to +80°C, 7xO.D.         | -5°C to +80°C, 15xO.D.          | -   | -      |
| P03        | 3 / 4 / 5     | 0.34mm <sup>2</sup> | PUR / PVC BLACK | -              | -                        | -30°C to +80°C, 7xO.D.         | -5°C to +80°C, 15xO.D.          | -   | -      |
| A09        | 3             | 0.34mm <sup>2</sup> | PVC YELLOW      | -              | -                        | -                              | -                               | -   | -      |
| K03        | 5             | 0.82mm <sup>2</sup> | TPE YELLOW      | -              | -                        | -                              | -                               | -   | -      |
| K05        | 4             | 0.38mm <sup>2</sup> | TPE YELLOW      | -              | -                        | -                              | -                               | -   | -      |

CABLE LENGTH TOLERANCES

| OVER    | UP TO AND INCLUDING | TOLERANCES             |
|---------|---------------------|------------------------|
| 0       | 305mm               | +19mm                  |
| 305mm   | 915mm               | +45mm                  |
| 915mm   | 1830mm              | +56mm                  |
| 1830mm  | 3660mm              | +89mm                  |
| 3660mm  | 7320mm              | +165mm                 |
| 7320mm  | 14640mm             | +317mm                 |
| 14640mm | 30500mm             | +610mm                 |
| 30500mm | >                   | +2% of finished length |



THIS DRAWING CONTAINS INFORMATION THAT IS PROPRIETARY TO MOLEX ELECTRONIC TECHNOLOGIES, LLC AND SHOULD NOT BE USED WITHOUT WRITTEN PERMISSION

DIMENSION UNITS: mm SCALE: 1:1

CURRENT REV DESC: REMOVED OBSOLETE PART NUMBER AS PER PCN#512871.

**molex**

CSE M12 XP AC MA STR XM SE UNSH

PRODUCT CUSTOMER DRAWING

EC NO: 732259  
DRWN: SANTHN 2022/12/20  
CHK'D: GGA 2022/12/21  
APPR: GGA 2022/12/21

INITIAL REVISION:  
DRWN: JMARSZALEK 2016/01/12  
APPR: RSILLER 2016/04/08

DOCUMENT NUMBER: 1200659185  
DOC TYPE: PSD  
DOC PART: 000  
REVISION: A11

DRAFT WHERE APPLICABLE MUST REMAIN WITHIN DIMENSIONS

THIRD ANGLE PROJECTION


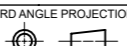
DRAWING: A3-SIZE  
SERIES: 120065  
MATERIAL NUMBER: SEE TABLE  
CUSTOMER: GENERAL MARKET  
SHEET NUMBER: 2 OF 4

# PART LIST

| No. | Part No.   | Engineering No. | Cable Length | No. | Part No.   | Engineering No. | Cable Length | No. | Part No.   | Engineering No. | Cable Length | No. | Part No.   | Engineering No. | Cable Length |
|-----|------------|-----------------|--------------|-----|------------|-----------------|--------------|-----|------------|-----------------|--------------|-----|------------|-----------------|--------------|
| 1   | 1200060046 | 804006E03M120   | 12m          | 36  | 1200062596 | 805006E03M003   | 0.3m         | 71  | 1200652158 | 805006P03M100   | 10m          | 106 | 1200658731 | 804006H09M040   | 4m           |
| 2   | 1200060047 | 804006P03M050   | 5m           | 37  | 1200062631 | 805006P03M120   | 12m          | 72  | 1200655011 | 805006P03M005   | 0.5m         | 107 | 1200658732 | 804006H09M050   | 5m           |
| 3   | 1200060240 | 803006E03M020   | 2m           | 38  | 1200062799 | 805006E03M010   | 1m           | 73  | 1200655051 | 805006E03M006   | 0.6m         | 108 | 1200658733 | 804006H09M100   | 10m          |
| 4   | 1200060241 | 803006E03M050   | 5m           | 39  | 1200062830 | 804006E03M0205  | 2m           | 74  | 1200658055 | 803006P03M003   | 0.3m         | 109 | 1200658741 | 805006H09M010   | 1m           |
| 5   | 1200060242 | 803006E03M100   | 10m          | 40  | 1200062877 | 804006E03M0505  | 5m           | 75  | 1200658092 | 805006P03M010   | 1m           | 110 | 1200658742 | 805006H09M015   | 1.5m         |
| 6   | 1200060256 | 803006P03M002   | 0.2m         | 41  | 1200062920 | 804006E03M1005  | 10m          | 76  | 1200658109 | 808006P02M003   | 0.3m         | 111 | 1200658743 | 805006H09M020   | 2m           |
| 7   | 1200060257 | 803006P03M020   | 2m           | 42  | 1200063018 | 803006P03M0303  | 3m           | 77  | 1200658209 | 805006E03M0061  | * 0.6m       | 112 | 1200658744 | 805006H09M030   | 3m           |
| 8   | 1200060260 | 803006P03M030   | 3m           | 43  | 1200063077 | 804006E02M005   | 0.5m         | 78  | 1200658247 | 803006H09M100   | 10m          | 113 | 1200658745 | 805006H09M040   | 4m           |
| 9   | 1200060261 | 803006P03M050   | 5m           | 44  | 1200063470 | 804006E03M010H  | 1m           | 79  | 1200658248 | 803006H09M050   | 5m           | 114 | 1200658746 | 805006H09M050   | 5m           |
| 10  | 1200060558 | 804006E03M006   | 0.6m         | 45  | 1200063472 | 804006P03M200   | 20m          | 80  | 1200658463 | 804006P03M150   | 15m          | 115 | 1200658747 | 805006H09M100   | 10m          |
| 11  | 1200060559 | 804006E03M010   | 1m           | 46  | 1200063731 | 805006P03M0065  | 0.6m         | 81  | 1200658500 | 805006E03M1001  | 10m          | 116 | 1200658784 | 804006E03M0101H | 1m           |
| 12  | 1200060560 | 804006E03M020   | 2m           | 47  | 1200063732 | 804006E03M0501  | 5m           | 82  | 1200658518 | 804006E03M0201H | 2m           | 117 | 1200658785 | 804006E03M1001H | 10m          |
| 13  | 1200060561 | 804006E03M030   | 3m           | 48  | 1200063733 | 804006E03M1001  | * 10m        | 83  | 1200658519 | 804006E03M0501H | 5m           | 118 | 1200658876 | 804006E03M150   | 15m          |
| 14  | 1200060562 | 804006E03M050   | 5m           | 49  | 1200063856 | 804006E03M1501  | * 15m        | 84  | 1200658526 | 803006E03M005   | 0.5m         | 119 | 1200658881 | 803006E03M050G  | 5m           |
| 15  | 1200060563 | 804006E03M100   | 10m          | 50  | 1200063941 | 804006P03M0401  | 4m           | 85  | 1200658542 | 804006E03M070   | 7m           | 120 | 1200658888 | 804006E03M020H  | 2m           |
| 16  | 1200060570 | 804006P03M020   | 2m           | 51  | 1200063953 | 805006E03M035   | 3.5m         | 86  | 1200658546 | 808006E02M050   | 5m           | 121 | 1200658890 | 804006H09M003   | 0.3m         |
| 17  | 1200060571 | 804006P03M030   | 3m           | 52  | 1200063969 | 804006E03M2001  | ** 20m       | 87  | 1200658565 | 803006E03M010   | 1m           | 122 | 1200658892 | 803006H09M003   | 0.3m         |
| 18  | 1200060572 | 804006P03M100   | 10m          | 53  | 1200064160 | 803006P03M005   | 0.5m         | 88  | 1200658566 | 803006E03M040   | 4m           | 123 | 1200658893 | 804006E03M050H  | 5m           |
| 19  | 1200060667 | 805006E03M020   | 2m           | 54  | 1200064231 | 804006E03M2501  | * 25m        | 89  | 1200658571 | 804006E03M040   | 4m           | 124 | 1200658895 | 804006H09M200   | 20m          |
| 20  | 1200060668 | 805006E03M030   | 3m           | 55  | 1200064240 | 804006P03M070   | 7m           | 90  | 1200658576 | 808006E02M010   | 1m           | 125 | 1200658897 | 805006E03M200   | 20m          |
| 21  | 1200060680 | 805006P03M020   | 2m           | 56  | 1200064251 | 804006E03M003   | 0.3m         | 91  | 1200658612 | 803006P03M040   | 4m           | 126 | 1200658913 | 805006P03M030   | 3m           |
| 22  | 1200060682 | 805006P03M050   | 5m           | 57  | 1200064252 | 804006E03M005   | 0.5m         | 92  | 1200658613 | 803006P03M100   | 10m          | 127 | 1200659034 | 804006E02M050   | 5m           |
| 23  | 1200061345 | 805006E03M050   | 5m           | 58  | 1200064261 | 804006P03M011   | 1.1m         | 93  | 1200658653 | 803006H09M010   | 1m           | 128 | 1200659036 | 804006E02M070   | 7m           |
| 24  | 1200061611 | 803006E03M150   | 15m          | 59  | 1200064347 | 804006P03M007   | 0.7m         | 94  | 1200658654 | 803006H09M015   | 1.5m         | 129 | 1200659037 | 804006E02M100   | 10m          |
| 25  | 1200061633 | 804006P03M010   | 1m           | 60  | 1200064353 | 803006E03M003   | 0.3m         | 95  | 1200658655 | 803006H09M020   | 2m           | 130 | 1200659041 | 808006E02M005   | 0.5m         |
| 26  | 1200061853 | 803006P03M010   | 1m           | 61  | 1200064393 | 804006P03M020G  | 2m           | 96  | 1200658656 | 803006H09M030   | 3m           | 131 | 1200659109 | 804006E02M020   | 2m           |
| 27  | 1200061855 | 804006P03M006   | 0.6m         | 62  | 1200064464 | 803006P03M005G  | 0.5m         | 97  | 1200658657 | 803006H09M040   | 4m           | 132 | 1200659111 | 803006E02M050   | 5m           |
| 28  | 1200062017 | 803006E03M030   | 3m           | 63  | 1200065002 | 805006P03M0201  | 2m           | 98  | 1200658659 | 808006H08M015   | 1.5m         | 133 | 1200659141 | 805006H09M200   | 20m          |
| 29  | 1200062082 | 805006P03M060   | 6m           | 64  | 1200650964 | 808006P02M020   | 2m           | 99  | 1200658660 | 808006H08M020   | 2m           | 134 | 1200659142 | 805006H09M300   | 30m          |
| 30  | 1200062122 | 804006E03M0201  | * 2m         | 65  | 1200650967 | 808006P02M040   | 4m           | 100 | 1200658661 | 808006H08M030   | 3m           | 135 | 1200659145 | 805006E03M300   | 30m          |
| 31  | 1200062209 | 805006E03M100   | 10m          | 66  | 1200650968 | 808006P02M050   | 5m           | 101 | 1200658663 | 808006H08M050   | 5m           | 136 | 1200659149 | 805006H09M005   | 0.5m         |
| 32  | 1200062351 | 803006E03M0505  | 5m           | 67  | 1200650969 | 808006P02M100   | 10m          | 102 | 1200658727 | 804006H09M010   | 1m           | 137 | 1200659154 | 804006P03M100Y  | 10m          |
| 33  | 1200062352 | 803006E03M1005  | 10m          | 68  | 1200651763 | 808006P02M030   | 3m           | 103 | 1200658728 | 804006H09M015   | 1.5m         | 138 | 1200659185 | 805006E03M080   | 8m           |
| 34  | 1200062426 | 804006E03M200   | 20m          | 69  | 1200652141 | 804006P03M040   | 4m           | 104 | 1200658729 | 804006H09M020   | 2m           | 139 | 1200659186 | 804006E03M060   | 6m           |
| 35  | 1200062560 | 808006P02M005   | 0.5m         | 70  | 1200652157 | 805006P03M040   | 4m           | 105 | 1200658730 | 804006H09M030   | 3m           | 140 | 1200659190 | 804006P03M250   | 25m          |

**NOTES:**

- \* - Part No. with Yellow PVC overmolding
- \*\* - Part No. with Black PVC overmolding

|   |         |  |  |          |  |          |  |              |  |
|---|---------|--|--|----------|--|----------|--|--------------|--|
| THIS DRAWING CONTAINS INFORMATION THAT IS PROPRIETARY TO MOLEX ELECTRONIC TECHNOLOGIES, LLC AND SHOULD NOT BE USED WITHOUT WRITTEN PERMISSION |         |  |  |          |  |          |  |              |  |
| DIMENSION UNITS   | SCALE   | CURRENT REV DESC: REMOVED OBSOLETE PART NUMBER AS PER PCN#512871.  |  |          |  |          |  |              |  |
| mm  | 1:1     | <br>CSE M12 XP AC MA STR XM SE UNSH |  |          |  |          |  |              |  |
| GENERAL TOLERANCES (UNLESS SPECIFIED)   |         |  |  |          |  |          |  |              |  |
| ANGULAR TOL   | ± 1.0 ° | EC NO: 732259<br>DRWN: SANTHN 2022/12/20<br>CHK'D: GGA 2022/12/21<br>APPR: GGA 2022/12/21                                |  |          |  |          |  |              |  |
| 4 PLACES  | ±       |  |  |          |  |          |  |              |  |
| 3 PLACES  | ±       | INITIAL REVISION:<br>DRWN: JMARSZALEK 2016/01/12<br>APPR: RSILLER 2016/04/08   |  |          |  |          |  |              |  |
| 2 PLACES  | ± 0.05  |  |  |          |  |          |  |              |  |
| 1 PLACE   | ± 0.3   | DOCUMENT NUMBER  |  | DOC TYPE |  | DOC PART |  | REVISION     |  |
| 0 PLACES  | ± 0.5   | 1200659185   |  | PSD      |  | 000      |  | A11          |  |
| DRAFT WHERE APPLICABLE MUST REMAIN WITHIN DIMENSIONS  |         | THIRD ANGLE PROJECTION   |  | DRAWING  |  | SERIES   |  | SHEET NUMBER |  |
|   |         |                                     |  | A3-SIZE  |  | 120065   |  | 3 OF 4       |  |

|                 |    |              |            |          |
|-----------------|----|--------------|------------|----------|
| DOCUMENT STATUS | P1 | RELEASE DATE | 2022/12/21 | 07:37:46 |
|-----------------|----|--------------|------------|----------|

# PART LIST


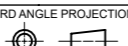
| No. | Part No.   | Engineering No. | Cable Length |
|-----|------------|-----------------|--------------|
| 141 | 1200659191 | 804006P03M300   | 30m          |
| 142 | 1200659192 | 804006P03M350   | 35m          |
| 143 | 1200659193 | 804006P03M400   | 40m          |
| 144 | 1200659194 | 804006E03M250   | 25m          |
| 145 | 1200659195 | 804006E03M300   | 30m          |
| 146 | 1200659196 | 804006E03M350   | 35m          |
| 147 | 1200659197 | 804006E03M400   | 40m          |
| 148 | 1200659198 | 804006E03M450   | 45m          |
| 149 | 1200659224 | 805006P03M200   | 20m          |
| 150 | 1200659225 | 805006P03M300   | 30m          |
| 151 | 1200659254 | 804006E03M500   | 50m          |
| 152 | 1200659281 | 805006P03M150   | 15m          |
| 153 | 1200659285 | 805006E03M150   | 15m          |
| 154 | 1200659316 | 805006P03M005H  | 0.5m         |
| 155 | 1200659317 | 805006P03M007H  | 0.7m         |
| 156 | 1200659318 | 805006P03M010H  | 1m           |
| 157 | 1200659319 | 805006P03M020H  | 2m           |
| 158 | 1200659320 | 805006P03M050H  | 5m           |
| 159 | 1200659321 | 805006P03M100H  | 10m          |
| 160 | 1200659322 | 805006P03M150H  | 15m          |
| 161 | 1200659323 | 805006P03M200H  | 20m          |
| 162 | 1200659324 | 805006P03M300H  | 30m          |
| 163 | 1200659325 | 805006P03M350H  | 35m          |
| 164 | 1200659367 | 805006E03M015   | 1.5m         |
| 165 | 1200659454 | 805006E03M045   | 4.5m         |
| 166 | 1200659455 | 805006E03M075   | 7.5m         |
| 167 | 1200659513 | 805006E03M030H  | 3m           |
| 168 | 1200659514 | 805006E03M045H  | 4.5m         |
| 169 | 1200659515 | 805006E03M075H  | 7.5m         |
| 170 | 1200659550 | 804006E03M120H  | 12m          |
| 171 | 1200659551 | 805006E03M010H  | 1m           |
| 172 | 1200659557 | 804006P03M003   | 0.3m         |
| 173 | 1200659612 | 804006P03M080   | 8m           |
| 174 | 1200659692 | 803006E02M020   | 2m           |
| 175 | 1200659983 | 804006E02M075   | 7.5m         |

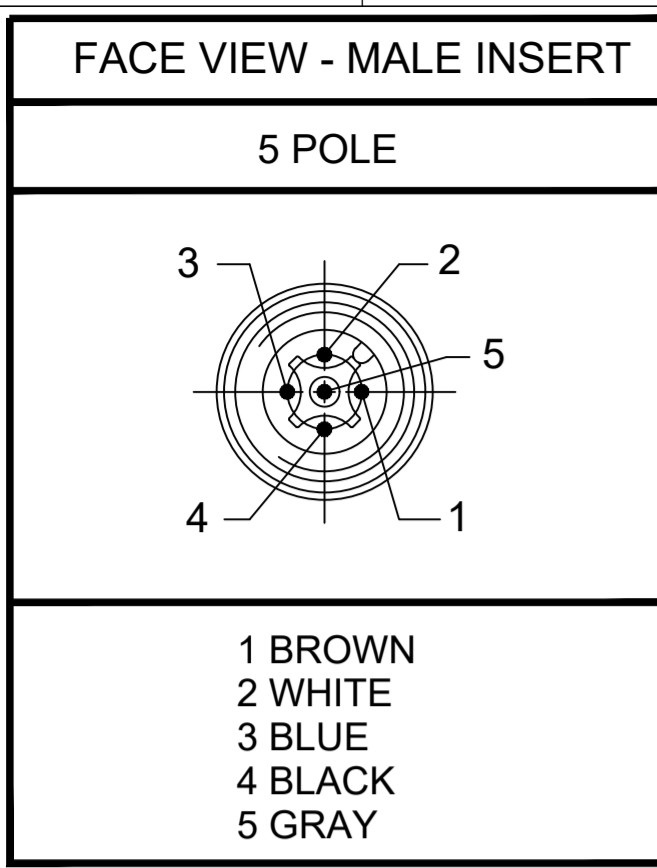
| No. | Part No.   | Engineering No. | Cable Length |
|-----|------------|-----------------|--------------|
| 176 | 1200659991 | 804006E02M0705  | 7m           |
| 177 | 1200656021 | 804006H09M050H  | 5m           |
| 178 | 1200659539 | 808006E02M100   | ** 10m       |
| 179 | 1200656293 | 803006E03M080   | 8m           |
| 180 | 1200656294 | 803006E03M120   | 12m          |
| 181 | 1200656295 | 804006E03M080   | 8m           |
| 182 | 1200656297 | 808006H08M005   | 0.5m         |
| 183 | 1200650843 | 803006A09M0208  | * 2m         |
| 184 | 1200651374 | 805006K03M020   | 2m           |
| 185 | 1200652151 | 805006K03M050   | 5m           |
| 186 | 1200651129 | 804006K05M020   | 2m           |
| 187 | 1200651131 | 804006K05M050   | 5m           |
| 188 | 1200651133 | 804006K05M100   | 10m          |
| 189 | 1200657191 | 805006E03M005   | 0.5m         |
| 190 | 1200656974 | 805006H09M003   | 0.3m         |
| 191 | 1200657157 | 804006P03M002   | 0.2m         |
| 192 | 1200657158 | 804006P03M005   | 0.5m         |
| 193 | 1200657159 | 804006E03M015   | 1.5m         |
| 194 | 1200657263 | 805006H09M250   | 25m          |
| 195 |            |                 |              |
| 196 |            |                 |              |
| 197 |            |                 |              |
| 198 |            |                 |              |
| 199 |            |                 |              |
| 200 |            |                 |              |
| 201 |            |                 |              |
| 202 |            |                 |              |
| 203 |            |                 |              |
| 204 |            |                 |              |
| 205 |            |                 |              |
| 206 |            |                 |              |
| 207 |            |                 |              |
| 208 |            |                 |              |
| 209 |            |                 |              |
| 210 |            |                 |              |

| No. | Part No. | Engineering No. | Cable Length |
|-----|----------|-----------------|--------------|
| 211 |          |                 |              |
| 212 |          |                 |              |
| 213 |          |                 |              |
| 214 |          |                 |              |
| 215 |          |                 |              |
| 216 |          |                 |              |
| 217 |          |                 |              |
| 218 |          |                 |              |
| 219 |          |                 |              |
| 220 |          |                 |              |
| 221 |          |                 |              |
| 222 |          |                 |              |
| 223 |          |                 |              |
| 224 |          |                 |              |
| 225 |          |                 |              |
| 226 |          |                 |              |
| 227 |          |                 |              |
| 228 |          |                 |              |
| 229 |          |                 |              |
| 230 |          |                 |              |
| 231 |          |                 |              |
| 232 |          |                 |              |
| 233 |          |                 |              |
| 234 |          |                 |              |
| 235 |          |                 |              |
| 236 |          |                 |              |
| 237 |          |                 |              |
| 238 |          |                 |              |
| 239 |          |                 |              |
| 240 |          |                 |              |
| 241 |          |                 |              |
| 242 |          |                 |              |
| 243 |          |                 |              |
| 244 |          |                 |              |
| 245 |          |                 |              |

| No. | Part No. | Engineering No. | Cable Length |
|-----|----------|-----------------|--------------|
| 246 |          |                 |              |
| 247 |          |                 |              |
| 248 |          |                 |              |
| 249 |          |                 |              |
| 250 |          |                 |              |
| 251 |          |                 |              |
| 252 |          |                 |              |
| 253 |          |                 |              |
| 254 |          |                 |              |
| 255 |          |                 |              |
| 256 |          |                 |              |
| 257 |          |                 |              |
| 258 |          |                 |              |
| 259 |          |                 |              |
| 260 |          |                 |              |
| 261 |          |                 |              |
| 262 |          |                 |              |
| 263 |          |                 |              |
| 264 |          |                 |              |
| 265 |          |                 |              |
| 266 |          |                 |              |
| 267 |          |                 |              |
| 268 |          |                 |              |
| 269 |          |                 |              |
| 270 |          |                 |              |
| 271 |          |                 |              |
| 272 |          |                 |              |
| 273 |          |                 |              |
| 274 |          |                 |              |
| 275 |          |                 |              |
| 276 |          |                 |              |
| 277 |          |                 |              |
| 278 |          |                 |              |
| 279 |          |                 |              |
| 280 |          |                 |              |

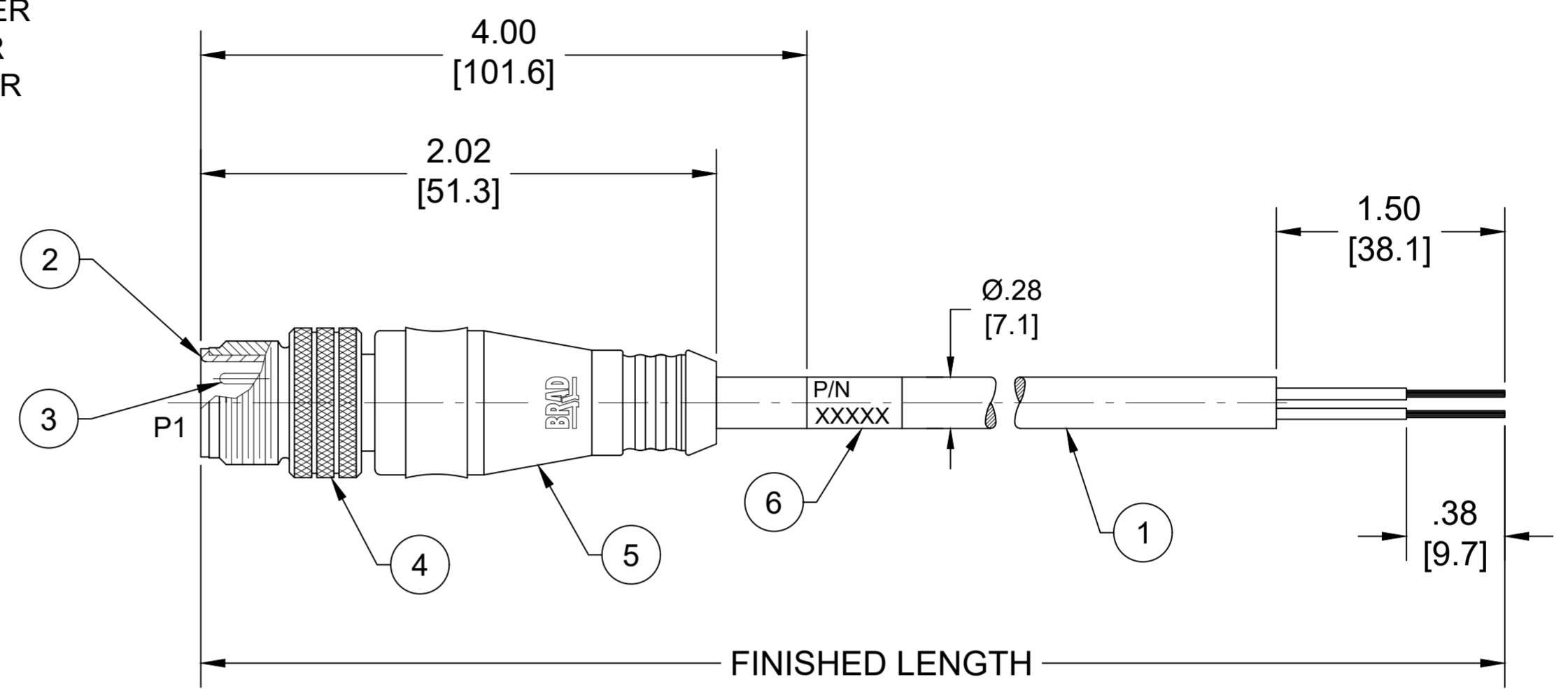
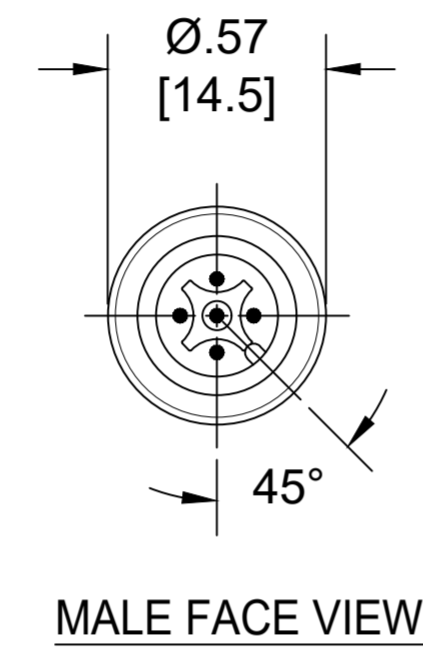
NOTES:  
 \* - Part No. with Yellow PVC overmolding  
 \*\* - Part No. with Black PVC overmolding

|   |         |  |            |   |                   |        |                 |                |              |
|---|---------|--|------------|---|-------------------|--------|-----------------|----------------|--------------|
| THIS DRAWING CONTAINS INFORMATION THAT IS PROPRIETARY TO MOLEX ELECTRONIC TECHNOLOGIES, LLC AND SHOULD NOT BE USED WITHOUT WRITTEN PERMISSION |         |  |            |   |                   |        |                 |                |              |
| DIMENSION UNITS   | SCALE   | CURRENT REV DESC: REMOVED OBSOLETE PART NUMBER AS PER PCN#512871.  |            |   |                   |        |                 |                |              |
| mm  | 1:1     | <br>CSE M12 XP AC MA STR XM SE UNSH<br>PRODUCT CUSTOMER DRAWING |            |   |                   |        |                 |                |              |
| GENERAL TOLERANCES (UNLESS SPECIFIED)   |         |  |            |   |                   |        |                 |                |              |
| ANGULAR TOL   | ± 1.0 ° | EC NO: 732259  | 2022/12/20 |   | DOCUMENT NUMBER   |        | DOC TYPE        | DOC PART       | REVISION     |
| 4 PLACES  | ±       | DRWN: SANTHN   | 2022/12/21 |   | 1200659185        |        | PSD             | 000            | A11          |
| 3 PLACES  | ±       | CHK'D: GGA   | 2022/12/21 |   | INITIAL REVISION: |        |                 |                |              |
| 2 PLACES  | ± 0.05  | APPR: GGA  | 2022/12/21 |   | DRWN: JMARSZALEK  |        |                 |                |              |
| 1 PLACE   | ± 0.3   | APPR: RSILLER  |            | 2016/01/12  | 2016/04/08        |        |                 |                |              |
| 0 PLACES  | ± 0.5   | DRAFT WHERE APPLICABLE MUST REMAIN WITHIN DIMENSIONS   |            | THIRD ANGLE PROJECTION  | DRAWING           | SERIES | MATERIAL NUMBER | CUSTOMER       | SHEET NUMBER |
|   |         |  |            |  | A3-SIZE           | 120065 | SEE PART LIST   | GENERAL MARKET | 4 OF 4       |



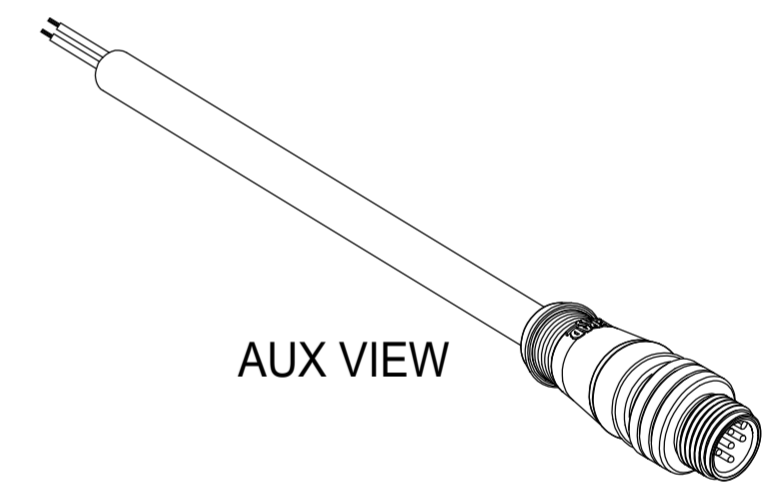
**PART NUMBER LEGEND**  
**805006K03M010**

FINISHED LENGTH  
M005 = 0.5 METER  
M010 = 1 METER  
M100 = 10 METER



| PART NO    | ENGINEERING NO. | FINISHED LENGTH |
|------------|-----------------|-----------------|
| 1200659221 | 805006K03M010   | 1M [3FT 3 IN]   |
| 1200652423 | 805006K03M150   | 15M [49FT 2 IN] |
| 1200659223 | 805006K03M300   | 30M [98FT 5 IN] |

- NOTES:**
1. MATERIAL: AS NOTED
  2. FINISH: AS NOTED
  3. ELECTRICAL:  
VOLTAGE: 250V  
CURRENT: 4A
  4. TEMP RATING: -20° TO +105°C
  5. PROTECTION: IP67 (WHEN MATED)
  6. COUPLING THREAD: M12X1
  7. UL RECOGNIZED FILE: E152210  
CSA CERTIFIED FILE: LR6837
  8. ALL DIMENSIONS ARE FOR REFERENCE  
UNLESS TOLERANCED OR NOTED OTHERWISE



**P1**

|   |       |
|---|-------|
| 1 | BROWN |
| 2 | WHITE |
| 3 | BLUE  |
| 4 | BLACK |
| 5 | GRAY  |

**CABLE LENGTH TOLERANCES**

<.3M [1FT]: +19mm-0 [+ .75in-0]  
.3 - .9M [1 - 3FT]: +44.5mm-0 [+1.75in-0]  
.9 - 1.8M [3 - 6FT]: +55.6mm-0 [+2.19in-0]  
1.8 - 3.7M [6 - 12FT]: +88.9mm-0 [+3.50in-0]  
3.7 - 7.3M [12 - 24FT]: +165.1mm-0 [+6.50in-0]  
7.3-14.6M [24 - 48FT]: +317.5mm-0 [+12.50in-0]  
14.6 - 30.5M [48-100FT]: +622.3mm-0 [+24.50in-0]  
OVER 30M [100FT] +2% OF FINISHED LENGTH

| ITEM | DESCRIPTION      | MATERIAL     | FINISH           |
|------|------------------|--------------|------------------|
| 6    | WRAP LABEL       | VINYL        | BLACK/YELLOW     |
| 5    | OVERMOLD         | TPC          | YELLOW           |
| 4    | COUPLING NUT     | BRASS        | TEFLON/NICKEL    |
| 3    | CONTACT PIN      | COPPER ALLOY | GOLD OVER NICKEL |
| 2    | MALE INSERT      | PUR          | BLACK            |
| 1    | CABLE #18AWG (C) | TPE JACKET   | YELLOW           |

**WIRING DIAGRAM**

|   |   |                 |   |                |
|---|---|-----------------|---|----------------|
| FUNCTIONAL SYMBOLS<br>$F_A=0$<br>$F_C=0$<br>$F_P=0$<br>DIVISIONAL SYMBOLS | THIS DRAWING CONTAINS INFORMATION THAT IS PROPRIETARY TO MOLEX ELECTRONIC TECHNOLOGIES, LLC AND SHOULD NOT BE USED WITHOUT WRITTEN PERMISSION |                 | CURRENT REV DESC: CABLE CHANGED TO 18AWG. REVISED FLEX DATA |                |
|   | DIMENSION UNITS   | SCALE           | EC NO: 715560   |                |
|   | INCH/MM   | NTS             | DRWN: RSTONE  | 2022/07/26     |
|   | GENERAL TOLERANCES (UNLESS SPECIFIED)   |                 | CHK'D: MZIELINSKI   | 2022/07/27     |
| mm  |   | INCH            | APPR: BWOODMAN  | 2022/08/05     |
| 4 PLACES ±----  |   | ±----           | INITIAL REVISION:   |                |
| 3 PLACES ±----  |   | ±----           | DRWN: BWOODMAN  | 2009/08/17     |
| 2 PLACES ±----  |   | ±----           | APPR: JFMURPHY  | 2009/08/21     |
| 1 PLACE ±----   |   | ±----           | THIRD ANGLE PROJECTION                                      |                |
| 0 PLACES ±----  |   | ±----           | DRAWING   | SERIES         |
| ANGULAR TOL ± ---- °  |   | C-SIZE          |   | 120065         |
| DRAFT WHERE APPLICABLE MUST REMAIN WITHIN DIMENSIONS                      |   | MATERIAL NUMBER |   | CUSTOMER       |
|   |   | SEE CHART       |   | GENERAL MARKET |

**molex**

MICRO-CHANGE CORDSET, M12,  
5 POLE, MALE, STRAIGHT, SINGLE KEY,  
#18 AWG TPE HI-FLEX

PRODUCT CUSTOMER DRAWING

DOCUMENT NUMBER: **SD-120065-021**    DOC TYPE/DOC PART: PSD 001    REVISION: C

SHEET NUMBER: 1 OF 1