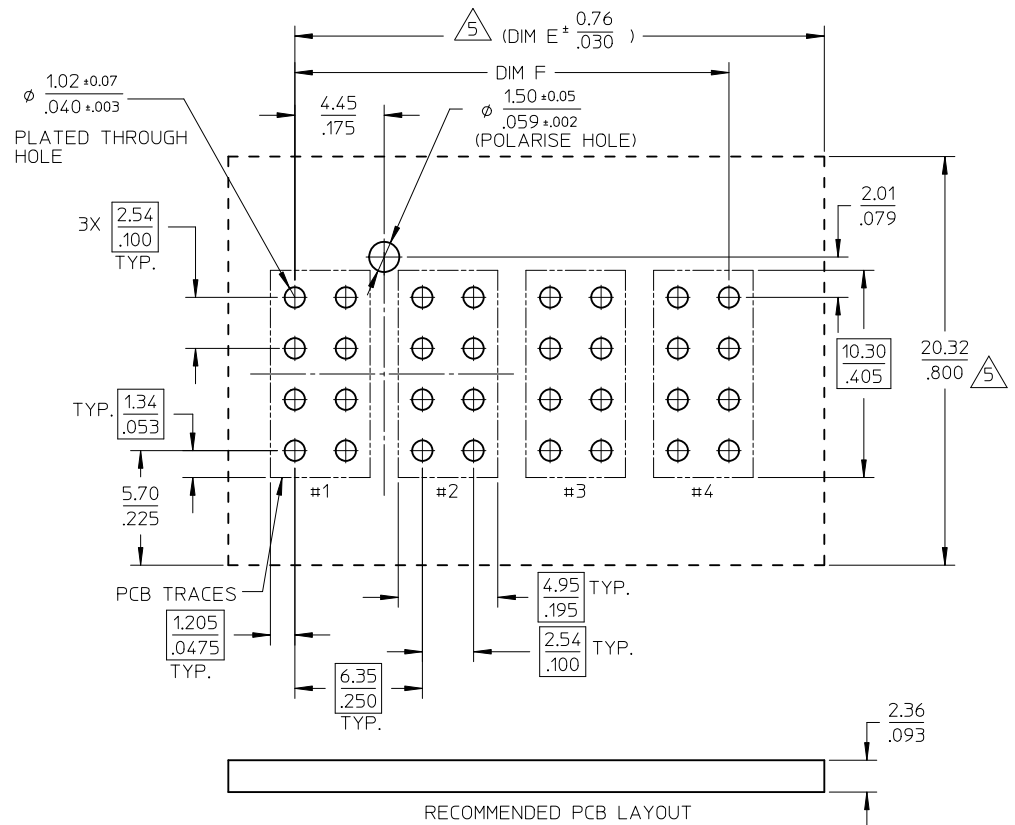


OBS TIN/LEAD P/N EC NO: S2011-0260 DRWN:SKANG 2010/10/22 CHKD:ATSEE 2010/11/29 APPR:MLONG 2010/12/01	REV D	DESCRIPTION	QUALITY SYMBOLS	GENERAL TOLERANCES (UNLESS SPECIFIED)	DIMENSION STYLE	SCALE	DESIGN UNITS	THIRD ANGLE PROJECTION															
			$\nabla F=0$ $\nabla F=0$ $\nabla F=0$	<table border="1"> <thead> <tr> <th></th> <th>mm</th> <th>INCH</th> </tr> </thead> <tbody> <tr> <td>4 PLACES</td> <td>± ---</td> <td>± ---</td> </tr> <tr> <td>3 PLACES</td> <td>± ---</td> <td>± .005</td> </tr> <tr> <td>2 PLACES</td> <td>± 0.13</td> <td>± ---</td> </tr> <tr> <td>1 PLACE</td> <td>± ---</td> <td>± ---</td> </tr> </tbody> </table>		mm	INCH	4 PLACES	± ---	± ---	3 PLACES	± ---	± .005	2 PLACES	± 0.13	± ---	1 PLACE	± ---	± ---	MM/IN	NTS	METRIC	
				mm	INCH																		
			4 PLACES	± ---	± ---																		
3 PLACES	± ---	± .005																					
2 PLACES	± 0.13	± ---																					
1 PLACE	± ---	± ---																					
DRAFT WHERE APPLICABLE MUST REMAIN WITHIN DIMENSIONS	SEE TABLE	TITLE	POWER CONN. RECEPTACLE POWER CONFIGURATION VERTICAL PRESS-FIT																				
			ANGULAR ± 3°				MOLEX INCORPORATED																
							DOCUMENT NO.	SHEET NO.															
							SD-87680-010	1 OF 2															
					SIZE A3	THIS DRAWING CONTAINS INFORMATION THAT IS PROPRIETARY TO MOLEX INCORPORATED AND SHOULD NOT BE USED WITHOUT WRITTEN PERMISSION																	

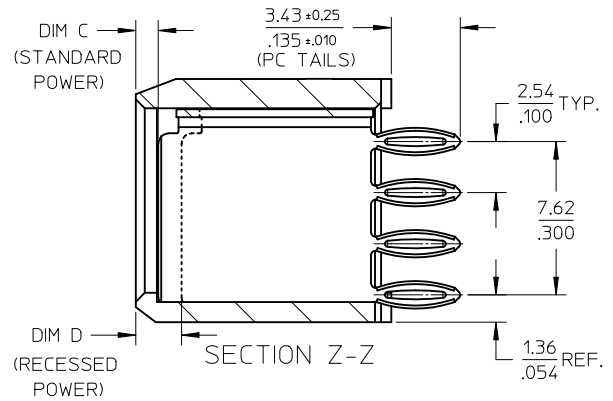
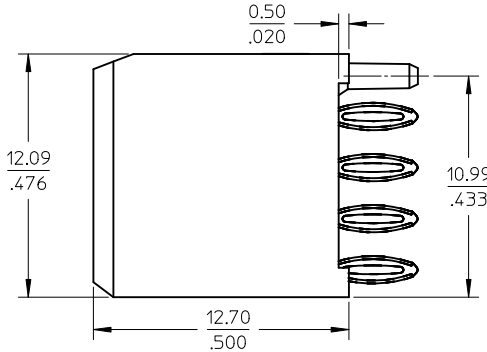
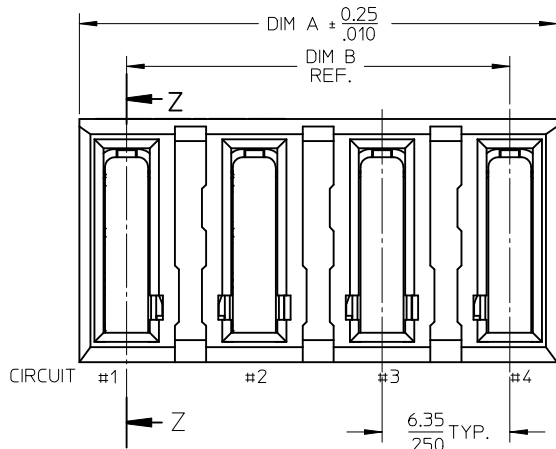
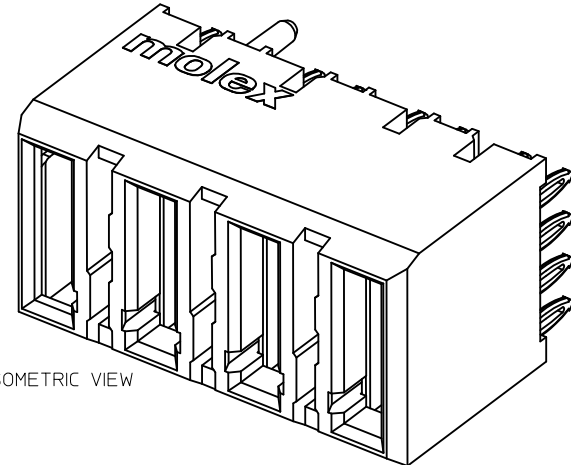
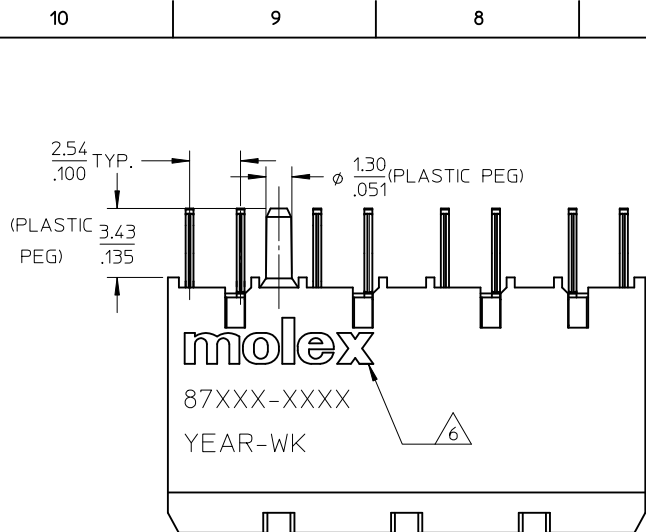
PART NUMBER	NUMBER OF POWER PINS	RECESSED POWER CIRCUIT #	DIM A	DIM B	DIM C	DIM D	DIM E	DIM F	PACKAGING	STATUS
87680-2001	2	2	11.05 .435	6.35 .250	1.12 .044	2.39 .094	13.63 .537	8.89 .350	TRAY	TOOLED
87680-2002	4	2,3,4	23.75 .935	19.05 .750	1.12 .044	2.39 .094	26.33 1.037	21.59 .850	TRAY	TOOLED



CONNECTOR - NOTES

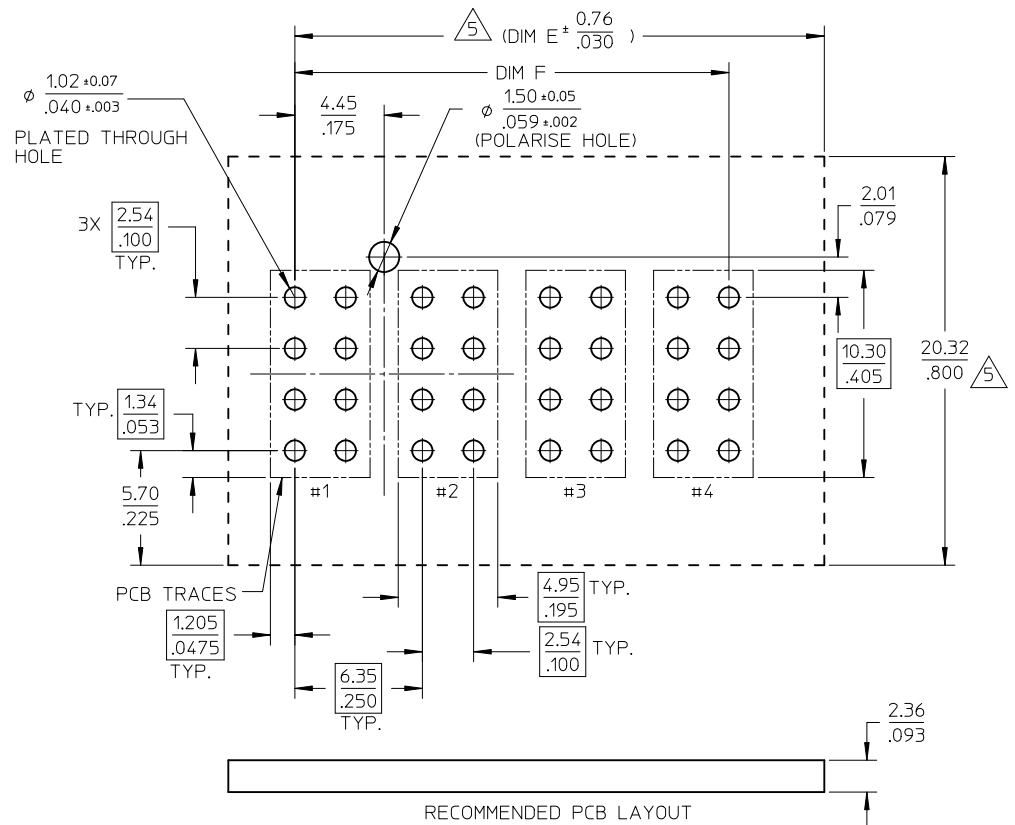
- MATERIALS :
    - HOUSING - HIGH TEMPERATURE THERMO-PLASTIC, GLASS FILLED, UL94-0,COLOR:BLACK.
    - POWER PIN - COPPER ALLOY
  - PLATING :
    - POWER CONTACTS
    - 0.76 MICROMETER MINIMUM GOLD (Au) AT CONTACT AREA AND 2.54 MICROMETER MINIMUM TIN AT SOLDER TAIL AREA OVER 1.27um MIN. NICKEL (Ni) UNDERPLATE.
  - PRODUCT SPECIFICATION: PS-87680-006.
  - PCB NOTE FOR DIAMETER 1.02/.040 PLATED HOLE.
    - DRILLED HOLE SIZE IS 1.151/.0453
    - PLATE WITH 0.007/.0003 MINIMUM TIN OVER 0.03/.001 TO 0.08/.003 COPPER PLATING TO ACHIEVE 1.02±0.08/.040±.003 HOLE.
- SEE SHEET 2 FOR RECOMMENDED PCB LAYOUT.
- △ COMPONENT STAY AWAY ZONE FROM CONNECTOR.
- △ MANUFACTURER LOGO,PART NUMBER AND YEAR-WEEK CODE.

OBS TIN/LEAD P/N EC NO: S2011-0260 DRWN:SKANG 2010/10/22 CHKD:ATSEE 2010/11/29 APPR:MLONG 2010/12/01	REV	DESCRIPTION	QUALITY SYMBOLS	GENERAL TOLERANCES (UNLESS SPECIFIED)	DIMENSION STYLE	SCALE	DESIGN UNITS	THIRD ANGLE PROJECTION
				mm INCH	MM/IN	NTS	METRIC	
			F <sub>A</sub> =0	4 PLACES ± --- ± ---	DRAWN BY DATE	TITLE		
			F <sub>C</sub> =0	3 PLACES ± --- ± .005	KMGOH 2002/08/27	POWER CONN. RECEPTACLE		
		F <sub>P</sub> =0	2 PLACES ± 0.13 ± ---	CHECKED BY DATE			POWER CONFIGURATION	
			1 PLACE ± --- ± ---	PTLIM 2002/11/25			VERTICAL PRESS-FIT	
			ANGULAR ± 3 °	APPROVED BY DATE			MOLEX INCORPORATED	
			DRAFT WHERE APPLICABLE MUST REMAIN WITHIN DIMENSIONS	SKTOH 2002/11/26				
				MATERIAL NO.	SEE TABLE		SD-87680-010	
				SIZE	A3	THIS DRAWING CONTAINS INFORMATION THAT IS PROPRIETARY TO MOLEX INCORPORATED AND SHOULD NOT BE USED WITHOUT WRITTEN PERMISSION		SHEET NO. 2 OF 2



OBS TIN/LEAD P/N EC NO: S2011-0260 DRWN:SKANG 2010/10/22 CHKD:ATSEE 2010/11/29 APPR:MLONG 2010/12/01	QUALITY SYMBOLS $\nabla F=0$ $\nabla F=0$ $\nabla F=0$	GENERAL TOLERANCES (UNLESS SPECIFIED)		DIMENSION STYLE	SCALE	DESIGN UNITS	THIRD ANGLE PROJECTION TITLE <b>POWER CONN. RECEPTACLE          POWER CONFIGURATION          VERTICAL PRESS-FIT</b> MOLEX INCORPORATED SD-87680-010 SHEET NO. 1 OF 2	
				MM/IN	NTS	METRIC		
		4 PLACES	± ---	± ---	DRAWN BY	DATE		
		3 PLACES	± ---	± .005	KMGOH	2002/08/27		
			2 PLACES	± 0.13	± ---	CHECKED BY	DATE	
			1 PLACE	± ---	± ---	PTL IM	2002/11/25	
			ANGULAR ± 3°		APPROVED BY	DATE		
			DRAFT WHERE APPLICABLE MUST REMAIN WITHIN DIMENSIONS		SKTOH	2002/11/26		
			SEE TABLE		MATERIAL NO.	DOCUMENT NO.		
			SIZE A3		THIS DRAWING CONTAINS INFORMATION THAT IS PROPRIETARY TO MOLEX INCORPORATED AND SHOULD NOT BE USED WITHOUT WRITTEN PERMISSION			

PART NUMBER	NUMBER OF POWER PINS	RECESSED POWER CIRCUIT #	DIM A	DIM B	DIM C	DIM D	DIM E	DIM F	PACKAGING	STATUS
87680-2001	2	2	11.05 .435	6.35 .250	1.12 .044	2.39 .094	13.63 .537	8.89 .350	TRAY	TOOLED
87680-2002	4	2,3,4	23.75 .935	19.05 .750	1.12 .044	2.39 .094	26.33 1.037	21.59 .850	TRAY	TOOLED



CONNECTOR - NOTES

- MATERIALS :
    - HOUSING - HIGH TEMPERATURE THERMO-PLASTIC, GLASS FILLED, UL94-0,COLOR:BLACK.
    - POWER PIN - COPPER ALLOY
  - PLATING :
    - POWER CONTACTS
    - 0.76 MICROMETER MINIMUM GOLD (Au) AT CONTACT AREA AND 2.54 MICROMETER MINIMUM TIN AT SOLDER TAIL AREA OVER 1.27um MIN. NICKEL (Ni) UNDERPLATE.
  - PRODUCT SPECIFICATION: PS-87680-006.
  - PCB NOTE FOR DIAMETER 1.02/.040 PLATED HOLE.
    - DRILLED HOLE SIZE IS 1.151/.0453
    - PLATE WITH 0.007/.0003 MINIMUM TIN OVER 0.03/.001 TO 0.08/.003 COPPER PLATING TO ACHIEVE 1.02±0.08/.040±.003 HOLE.
- SEE SHEET 2 FOR RECOMMENDED PCB LAYOUT.
- △ COMPONENT STAY AWAY ZONE FROM CONNECTOR.
- △ MANUFACTURER LOGO,PART NUMBER AND YEAR-WEEK CODE.

OBS TIN/LEAD P/N EC NO: S2011-0260 DRWN:SKANG 2010/10/22 CHKD:ATSEE 2010/11/29 APPR:MLONG 2010/12/01	REV	DESCRIPTION	QUALITY SYMBOLS	GENERAL TOLERANCES (UNLESS SPECIFIED)	DIMENSION STYLE	SCALE	DESIGN UNITS	THIRD ANGLE PROJECTION	
			▽ <sub>A</sub> =0	mm INCH	MM/IN	NTS	METRIC	⊙	
			▽ <sub>C</sub> =0	4 PLACES ± --- ± ---	DRAWN BY DATE	TITLE	POWER CONN. RECEPTACLE POWER CONFIGURATION VERTICAL PRESS-FIT		
			▽ <sub>P</sub> =0	3 PLACES ± --- ± .005	KMGOH 2002/08/27	SKTOH 2002/11/26			
			2 PLACES ± 0.13 ± ---	CHECKED BY DATE	MOLEX INCORPORATED				
			1 PLACE ± --- ± ---	PTLIM 2002/11/25				DOCUMENT NO.	SHEET NO.
			ANGULAR ± 3 °	APPROVED BY DATE	SD-87680-010				
			DRAFT WHERE APPLICABLE MUST REMAIN WITHIN DIMENSIONS	SKTOH 2002/11/26				2 OF 2	
				MATERIAL NO.	THIS DRAWING CONTAINS INFORMATION THAT IS PROPRIETARY TO MOLEX INCORPORATED AND SHOULD NOT BE USED WITHOUT WRITTEN PERMISSION				
				SIZE A3					