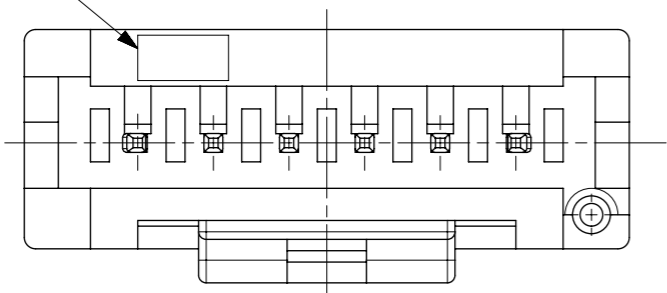


推奨基板寸法  
(t = 1.6)

NOTE

1. 嵌合相手: 51382 シリーズ  
MATE WITH : 51382 SERIES
  2. 偶数極 (列) に適用。  
APPLY EVEN CIRCUIT PRODUCTS.
  3. キングは両外側の位置に付加。  
KINK TO BE APPLIED BOTH ENDS.
  4. 材質     ハウジング : ポリエステル(PBT) UL94V-0  
MATERIALS HOUSING : POLYESTER(PBT) UL94V-0  
          ピン : 黄銅  
          PIN : BRASS
  5. めっき  
ピン : 錫めっき, リフロー処理 (前めっき) めっき厚 : 1.0µm MIN.  
          ニッケル下地めっき, めっき厚 : 0.5µm MIN.
- FINISHES  
PIN : PRE-TIN PLATED, (HEAT TREATED MATTE TIN)  
PLATING THICKNESS : 1.0µm MIN.  
NICKEL UNDERPLATE OVERALL  
PLATING THICKNESS : 0.5µm MIN.

トレードマーク  
TRADE MARK

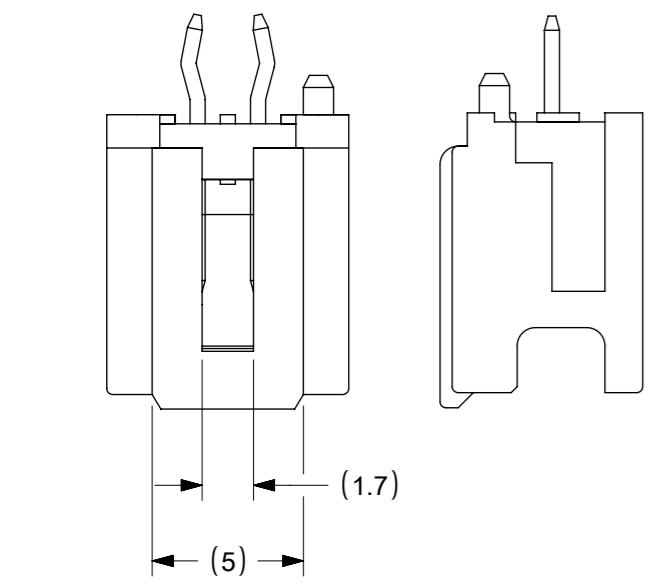


|    |    |    |              |      |
|----|----|----|--------------|------|
| 31 | 28 | 34 | 55932-15**   | 15   |
| 29 | 26 | 32 | 55932-14**   | 14   |
| 27 | 24 | 30 | 55932-13**   | 13   |
| 25 | 22 | 28 | 55932-12**   | 12   |
| 23 | 20 | 26 | 55932-11**   | 11   |
| 21 | 18 | 24 | 55932-10**   | 10   |
| 19 | 16 | 22 | 55932-09**   | 9    |
| 17 | 14 | 20 | 55932-08**   | 8    |
| 15 | 12 | 18 | 55932-07**   | 7    |
| 13 | 10 | 16 | 55932-06**   | 6    |
| 11 | 8  | 14 | 55932-05**   | 5    |
| 9  | 6  | 12 | 55932-04**   | 4    |
| 7  | 4  | 10 | 55932-03**   | 3    |
| 5  | 2  | 8  | 55932-02**   | 2    |
| C  | B  | A  | MATERIAL NO. | CKT. |

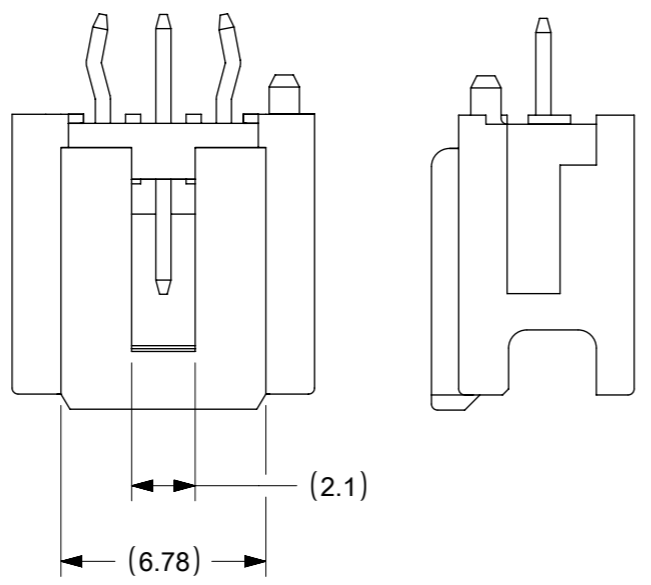
MODEL NO. : 55932 - \*\*\*\*

THIS DRAWING CONTAINS INFORMATION THAT IS PROPRIETARY TO MOLEX ELECTRONIC TECHNOLOGIES, LLC AND SHOULD NOT BE USED WITHOUT WRITTEN PERMISSION

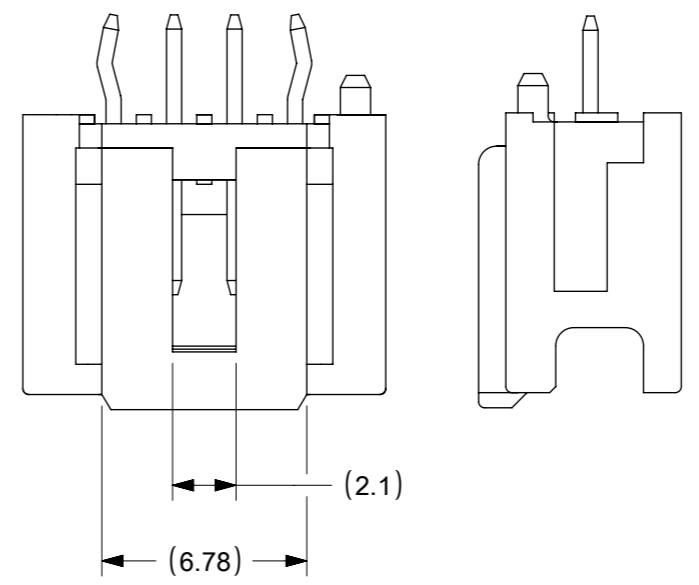
|  |                        |  |                            |                |              |
|--|------------------------|--|----------------------------|----------------|--------------|
| DIMENSION UNITS<br><b>mm</b>                         | SCALE<br><b>NTS</b>    | CURRENT REV DESC: OBSOLETE PART NUMBERS<br>AS PER PCN #512131                  | <b>molex</b>               |                |              |
| GENERAL TOLERANCES (UNLESS SPECIFIED)                |                        | EC NO: 727779  |                            |                |              |
| ANGULAR TOL ± 3.0°                                   | 4 PLACES ±             | DRWN: ANIKES1 2022/10/17   | PRODUCT CUSTOMER DRAWING   |                |              |
| 3 PLACES ±   | 2 PLACES ± 0.2         | CHK'D: GGA 2022/11/29  | DOCUMENT NUMBER            |                |              |
| 1 PLACE ± 0.2  | 0 PLACES ± 0.2         | APPR: GGA 2022/11/29   | DOC TYPE DOC PART REVISION |                |              |
| DRAFT WHERE APPLICABLE MUST REMAIN WITHIN DIMENSIONS | THIRD ANGLE PROJECTION | INITIAL REVISION:<br>DRWN: T.NIITSU 2002/02/08<br>APPR: T.YAMAGUCHI 2003/06/12 | <b>SD-55932-002</b>        |                |              |
|  | DRAWING                | SERIES   | MATERIAL NUMBER            | CUSTOMER       | SHEET NUMBER |
|  | A3-SIZE                | 55932  | SEE TABLE                  | GENERAL MARKET | 1 OF 3       |



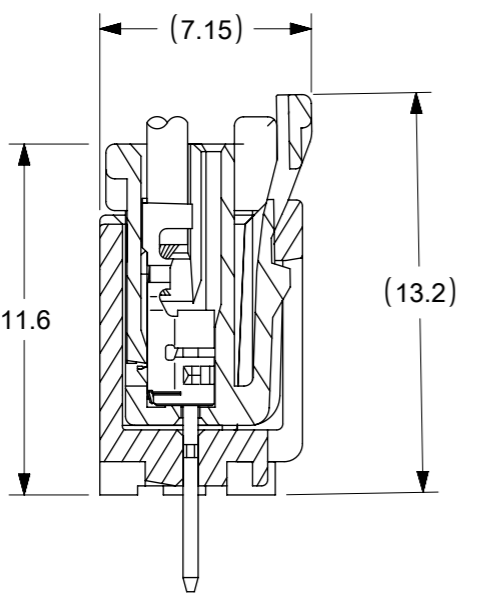
2 CIRCUIT



3 CIRCUIT



4 CIRCUIT 以上



嵌合断面図

△ 製品番号 MATERIAL NO.

55932 - \*\*\*\*

極数 CIRCUIT SIZE      色 COLOR

|    |                            |
|----|----------------------------|
| 10 | 自然色 (白)<br>NATURAL (WHITE) |
| 11 | 黒<br>BLACK                 |
| 12 | 赤<br>RED                   |
| 13 | 黄<br>YELLOW                |
| 14 | 青<br>BLUE                  |
| 15 | 桃<br>PINK                  |
| 16 | 緑<br>GREEN                 |
| 17 | 茶<br>BROWN                 |
| 18 | 橙<br>ORANGE                |
| 43 | 蛍光黄<br>FLUROSENCE YELLOW   |

|   |  |                        |  |   |  |                 |  |                            |  |            |  |  |  |
|---|--|------------------------|--|---|--|-----------------|--|----------------------------|--|------------|--|--|--|
| THIS DRAWING CONTAINS INFORMATION THAT IS PROPRIETARY TO MOLEX ELECTRONIC TECHNOLOGIES, LLC AND SHOULD NOT BE USED WITHOUT WRITTEN PERMISSION |  |                        |  |   |  |                 |  |                            |  |            |  |  |  |
| DIMENSION UNITS<br><b>mm</b>  |  | SCALE<br><b>NTS</b>    |  | CURRENT REV DESC: OBSOLETE PART NUMBERS<br>AS PER PCN #512131   |  |                 |  |                            |  |            |  |  |  |
| GENERAL TOLERANCES (UNLESS SPECIFIED)   |  |                        |  | <div style="text-align: center; font-size: 24pt; font-weight: bold;">molex</div> <p>2.0 W/B SINGLE CONN.<br/>PLUG HOUSING ASSY ST -LEAD FREE-</p> <p>PRODUCT CUSTOMER DRAWING</p> |  |                 |  |                            |  |            |  |  |  |
| ANGULAR TOL ± 3.0 °   |  |                        |  |   |  |                 |  |                            |  |            |  |  |  |
| 4 PLACES ±  |  | EC NO: 727779          |  |   |  |                 |  |                            |  | 2022/10/17 |  |  |  |
| 3 PLACES ±  |  | DRWN: ANIKES1          |  |   |  |                 |  |                            |  | 2022/11/29 |  |  |  |
| 2 PLACES ± 0.2  |  | CHK'D: GGA             |  |   |  |                 |  |                            |  | 2022/11/29 |  |  |  |
| 1 PLACE ± 0.2   |  | APPR: GGA              |  | INITIAL REVISION:   |  |                 |  |                            |  |            |  |  |  |
| 0 PLACES ± 0.2  |  | DRWN: T.NIITSU         |  | 2002/02/08  |  | DOCUMENT NUMBER |  | DOC TYPE DOC PART REVISION |  |            |  |  |  |
| DRAFT WHERE APPLICABLE MUST REMAIN WITHIN DIMENSIONS  |  | THIRD ANGLE PROJECTION |  | DRAWING   |  | SERIES          |  | MATERIAL NUMBER            |  |            |  |  |  |
|   |  | A3-SIZE                |  | 55932   |  | SD-55932-002    |  | PSD 001 L2                 |  |            |  |  |  |
|   |  |                        |  |   |  | CUSTOMER        |  | SHEET NUMBER               |  |            |  |  |  |
|   |  |                        |  |   |  | GENERAL MARKET  |  | 2 OF 3                     |  |            |  |  |  |

F  
E  
D  
C  
B  
A

| 自然色 (白)<br>NATURAL (WHITE) | 黒<br>BLACK     | 赤<br>RED       | 黄<br>YELLOW    | 青<br>BLUE      | 桃<br>PINK      | 緑<br>GREEN     | 茶<br>BROWN     | オレンジ<br>ORANGE | 蛍光黄<br>FLUORESCENCE YELLOW |
|----------------------------|----------------|----------------|----------------|----------------|----------------|----------------|----------------|----------------|----------------------------|
| 559321510                  | 559321511      | ---            | ---            | ---            | ---            | ---            | ---            | ---            | ---                        |
| 559321410                  | ---            | ---            | ---            | ---            | ---            | ---            | ---            | ---            | ---                        |
| 559321310                  | ---            | ---            | ---            | ---            | ---            | ---            | ---            | ---            | ---                        |
| 559321210                  | ---            | ---            | ---            | ---            | ---            | ---            | ---            | ---            | ---                        |
| 559321110                  | ---            | ---            | ---            | ---            | ---            | ---            | ---            | ---            | ---                        |
| 559321010                  | ---            | ---            | ---            | ---            | ---            | ---            | ---            | ---            | ---                        |
| 559320910                  | ---            | ---            | ---            | ---            | ---            | ---            | ---            | ---            | ---                        |
| 559320810                  | ---            | ---            | ---            | ---            | ---            | ---            | ---            | ---            | ---                        |
| 559320710                  | 559320711      | ---            | ---            | ---            | ---            | ---            | ---            | ---            | ---                        |
| 559320610                  | ---            | ---            | ---            | ---            | ---            | ---            | ---            | ---            | ---                        |
| 559320510                  | 559320511      | ---            | ---            | ---            | ---            | ---            | ---            | ---            | ---                        |
| 559320410                  | 559320411      | ---            | ---            | ---            | ---            | ---            | ---            | ---            | ---                        |
| 559320310                  | 559320311      | 559320312      | 559320313      | 559320314      | ---            | 559320316      | 559320317      | 559320318      | ---                        |
| 559320210                  | 559320211      | ---            | ---            | 559320214      | 559320215      | ---            | ---            | 559320218      | 559320243                  |
| R MATERIAL NO.             | R MATERIAL NO. | R MATERIAL NO. | R MATERIAL NO. | R MATERIAL NO. | R MATERIAL NO. | R MATERIAL NO. | R MATERIAL NO. | R MATERIAL NO. | R MATERIAL NO.             |

THIS DRAWING CONTAINS INFORMATION THAT IS PROPRIETARY TO MOLEX ELECTRONIC TECHNOLOGIES, LLC AND SHOULD NOT BE USED WITHOUT WRITTEN PERMISSION

|  |                            |   |                              |                            |                        |
|--|----------------------------|---|------------------------------|----------------------------|------------------------|
| DIMENSION UNITS<br><b>mm</b>                               | SCALE<br><b>NTS</b>        | CURRENT REV DESC: OBSOLETE PART NUMBERS<br>AS PER PCN #512131 | <b>molex</b>                 |                            |                        |
| GENERAL TOLERANCES (UNLESS SPECIFIED)                      |                            | EC NO: 727779<br>DRWN: ANIKES1<br>CHK'D: GGA<br>APPR: GGA     |                              |                            |                        |
| ANGULAR TOL ± 3.0 °  | 4 PLACES ±                 | 2022/10/17  | PRODUCT CUSTOMER DRAWING     |                            |                        |
| 3 PLACES ±   | 2 PLACES ± 0.2             | 2022/11/29  | DOCUMENT NUMBER              |                            |                        |
| 1 PLACE ± 0.2  | 0 PLACES ± 0.2             | 2022/11/29  | SD-55932-002                 |                            |                        |
| DRAFT WHERE APPLICABLE<br>MUST REMAIN<br>WITHIN DIMENSIONS | THIRD ANGLE PROJECTION<br> | INITIAL REVISION:<br>DRWN: T.NIITSU<br>APPR: T.YAMAGUCHI      | DOC TYPE<br>PSD              | DOC PART<br>001            | REVISION<br>L2         |
|  | DRAWING<br>A3-SIZE         | SERIES<br>55932   | MATERIAL NUMBER<br>SEE TABLE | CUSTOMER<br>GENERAL MARKET | SHEET NUMBER<br>3 OF 3 |