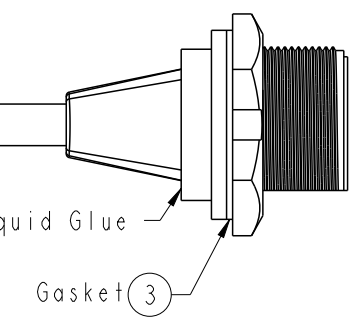
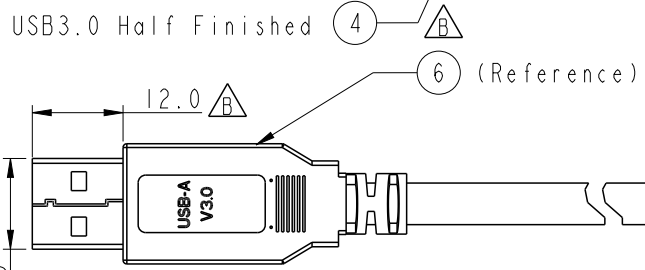
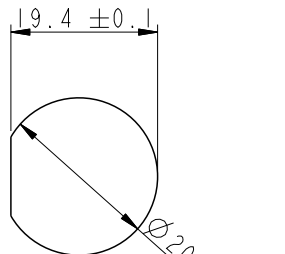
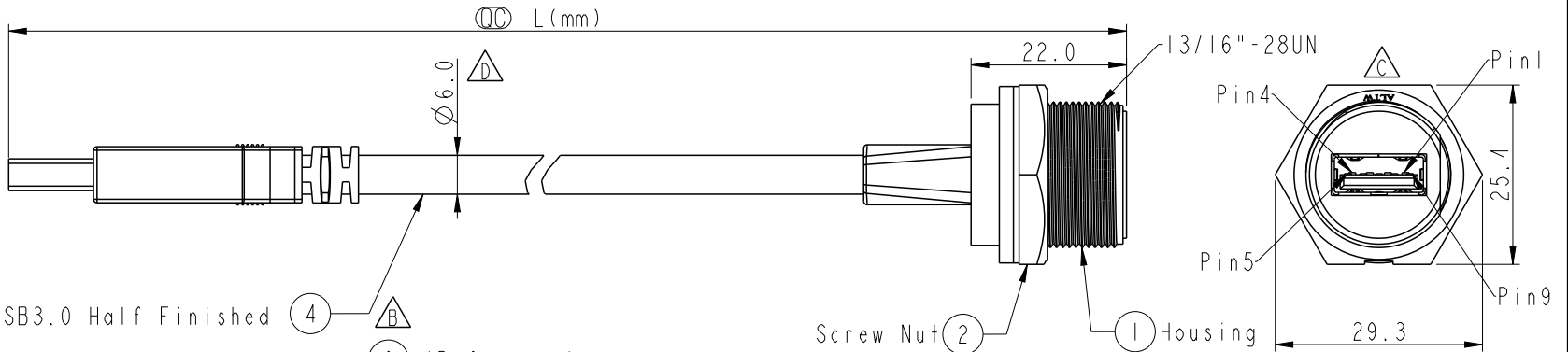


REV.	ECN NO.	DATE	SIGN	DESCRIPTION
D	LEN1670201-203	2016/07/13	Jinhai	Change Supplier
E	LEN1760405-407	2017-07-07	Ouyang	Update Pin Out
F	CI90797	2019-05-13	Justin	Modify Note

ALTW
CONFIDENTIAL
 2019-05-15
R&D DEPT.

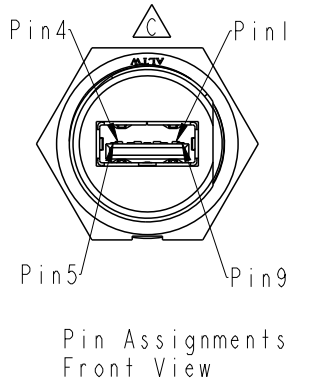


Waterproof Rate: IP67
 UA-30PMF-SD7BXX

△B	15	:150mm
	20	:200mm
	30	:300mm
△E	50	:500mm
	A0	:1000mm

- Note:
- * Ⓞ Important Dimension.
 - * Housing: ABS, Black
 - * Screw Nut: Nylon+GF, Black
 - * Gasket: Silicone, Gray
 - * Jack: USB3.0-A Female Solder
 - * Cable: UL2725 (IP*28#+DMA)*2C+IP*28#+2C*28#+ADB, PVC, UV Resistant, OD=6.0mm, Black
 - * Cable Length Tolerance: 150~1000mm:±60mm
 - * Use with waterproof cap or dust cap
Panel Thickness max: 2.8mm
 - * Use without waterproof cap or dust cap
Panel Thickness max: 4.0mm
 - * All of Drain twisted together.

Recommended Panel Cut-Out



Shield	Braid	編織	Shield	Shield	
9	Orange	28AWG 橙	SDP2+	9	Twist
8	Purple	28AWG 紫	SDP2-	8	
7	Drain	28AWG	SDP2_Drain	7	Twist
6	Yellow	28AWG 黃	SDP1+	6	
5	Blue	28AWG 藍	SDP1-	5	Twist
7	Drain	28AWG	SDP1_Drain	7	
4	Black	28AWG 黑	GND_PWRrt	4	Twist
3	Green	28AWG 綠	UTP_D+	3	
2	White	28AWG 白	UTP_D-	2	Twist
1	Red	28AWG 紅	PWR	1	
Jack	Wire Color		Signal Name	Plug	

Pin Out

UNIT:mm
 TOLERANCE ±0.5

TITLE USB3.0 Male A Type			
SCALE 1:1	SIZE A4	SHEET 1	OF 1
REV. F	WC-REV. B.5	Ⓞ: Inspection item	

Amphenol LTW
 安費諾亮泰企業股份有限公司

ITEM NO	DRAWN BY Justin	DATE 2019-05-15
DWG NO UA-30PMF-SD7BXX	CHECKED BY Brady	DATE 2019-05-15
CUSTOMER ALTW	APPROVED BY Neo	DATE 2019-05-15

THIS DOCUMENT IS SUBJECT TO CHANGE WITHOUT NOTICE. IT IS CONFIDENTIAL AND A PROPERTY OF Amphenol LTW. DISCLOSURE TO THIRD PARTY HAS TO BE AUTHORIZED BY Amphenol LTW.