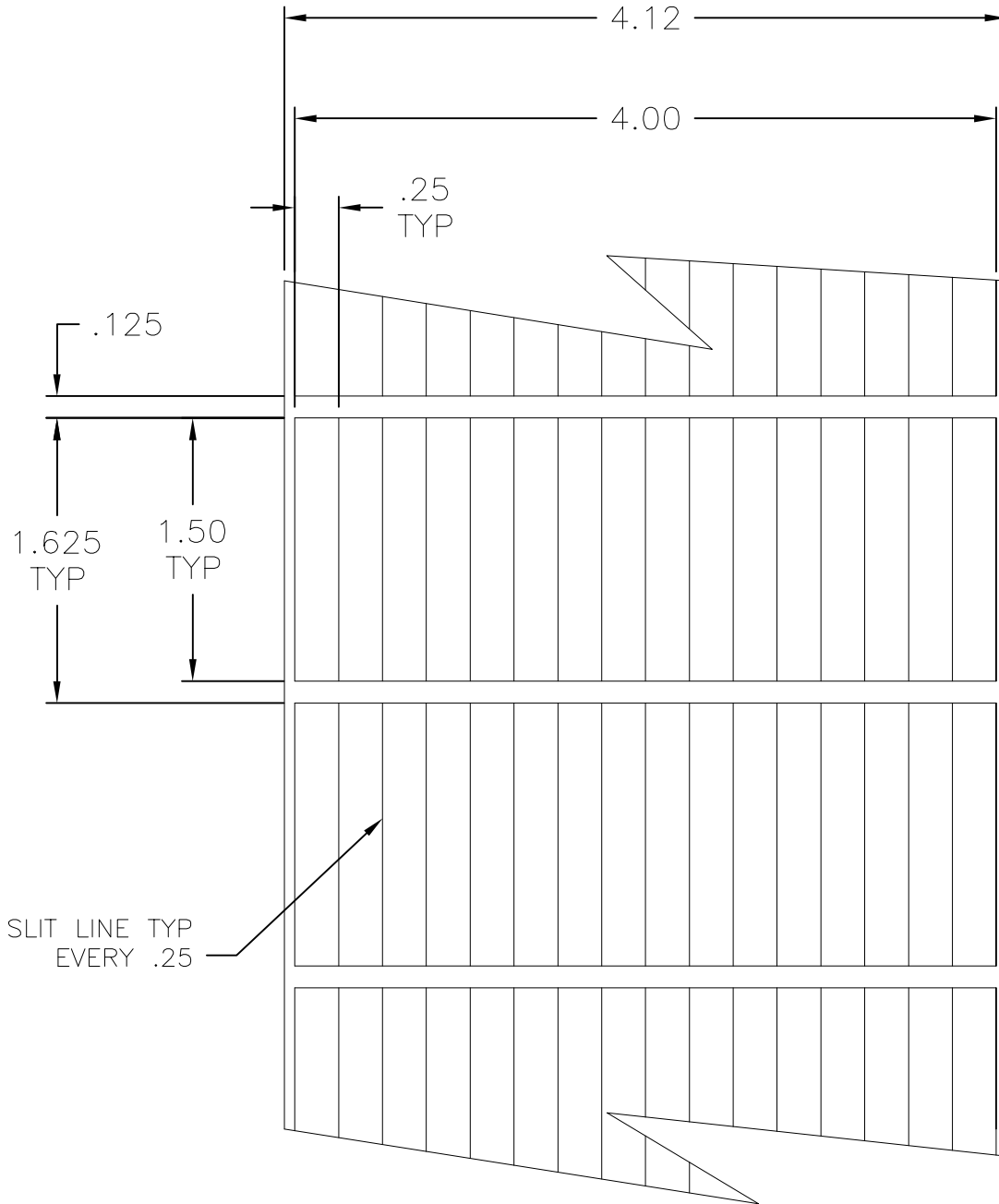


name	date	city, state

NOTES



5000 LABELS PER ROLL
16 ACROSS ON
A 3" CORE

R E V I S I O N	D level $\triangle 01$	D I M E N S I O N S	T O L E R A N C E S	P A R T	number TYHCT-250	phase PRODUCTION	D R A W I N G	FORMAT AV version N	CAD ACAD	scale 1X
	date 08/18/06		.XXXX = ±.0005		name TYHCT-250	computer file number LA\DTL\3002048_01		previous number		
	by AAC		.XXX = ±.005		BLANK THERMAL TRANSFER LABEL	drawn A.A.C.		checked K.A.C.	approved	
	ECN # 010467		.XX = ±.01		material 250 CONFORMABLE WOVEN NYLON	08/17/06		08/29/06		
part level A	.X = ±.03	units inches	$\angle = \pm 0.5^\circ$		type DETAIL	sheet 1 of 1	number LA3002048DTL			