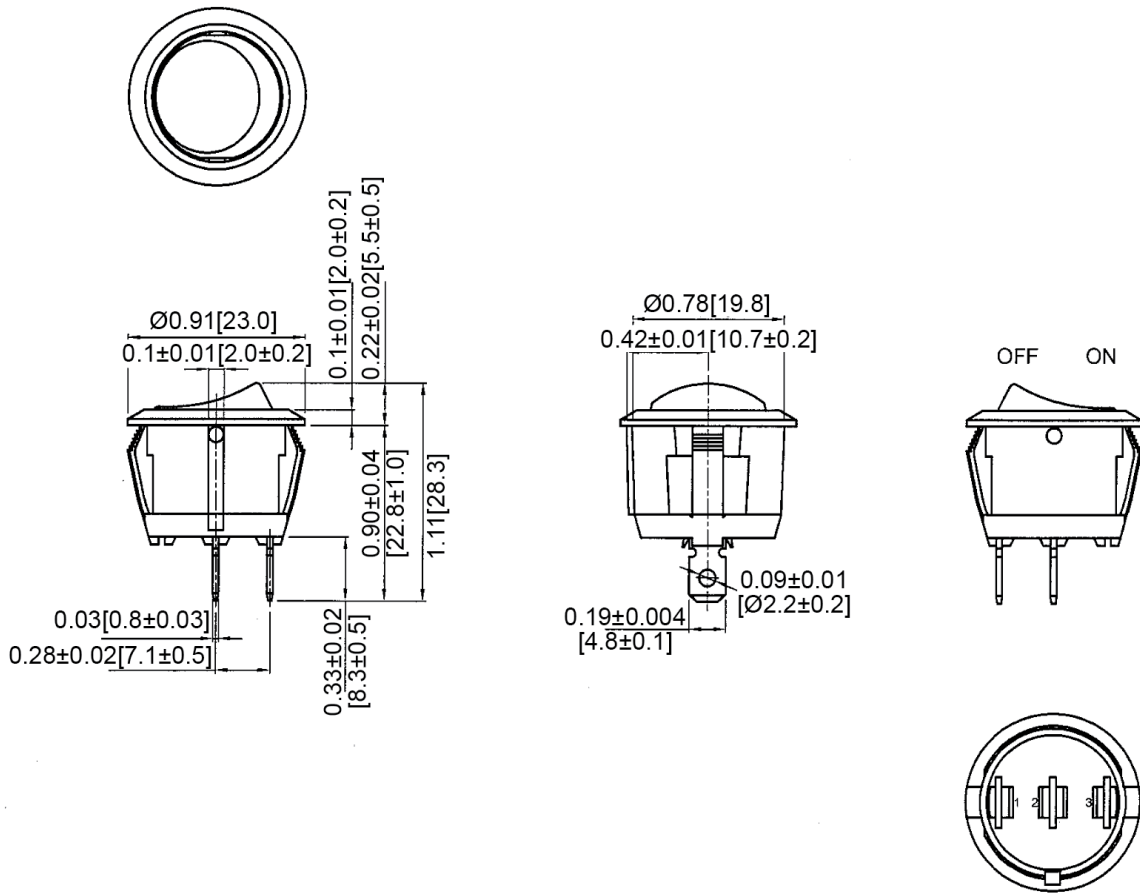
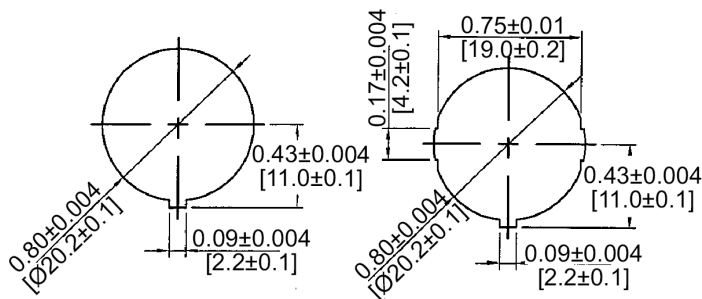


Mechanical Dimensions: Inches [mm]

Tolerances ± 0.012 [0.3] Unless Otherwise Specified



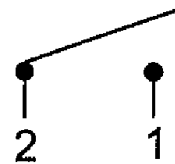
Mounting Hole



Thickness: 0.1~0.12 [2.0~3.0] | 0.03~0.12 [0.7~3.0]

Circuit Diagram

2P SPST OFF-ON



Electrical Specifications

Rating 10(4)A 125/250V AC, 10A 125V AC 6A 250V AC 10(4)A 250V AC | 16A 125V AC, 10A 250V AC

Contact Resistance 50m ohm Max

Insulation Resistance DC 500V 100M ohm Min

Dielectric Strength AC 1500V 1 minute

Operation Temperature -25°C~85°C

Material Specifications

Frame Special White, Nylon 66 (94-V2)

Actuator Special White, Nylon 66 (94-V2)

Terminals Copper Alloy, Silver plating

Rev	Date of issue	Revision Notes	Designed	Approved
B	06-08-2021	Initial Drawing	RC	OF