

SUMMARY

Wires

Low voltage 8



Image is for illustrative purpose only

| | |
|------------------|------------------------------------|
| Series | 1B |
| Termination type | Female crimp |
| IP rating | 50 |
| AWG wire size | 26.00 - 22.00 |
| Cable Ø | 5.30 - 6.20 mm |
| Status | active |
| Matching parts | FGI.1B.308.CYCD62Z |

Download

[Request a quote](#)

[Eplan](#)

[Catalog](#)

TECHNICAL DETAILS

Mechanics

| | |
|-------------------|---|
| Shell Style/Model | PH*: Free receptacle, cable collet and nut for fitting a bend relief |
| Keying | |
| Housing Material | Brass (chrome plated [SAE AMS 2460]) shell and collet nut, nickel plated [SAE AMS QQ N 290] brass latch sleeve and mid pieces |
| Variant | Z : Nut for fitting a bend relief |
| Weight | 21.51 g |

Performance

| | |
|---------------|----------------------------|
| Configuration | 1B.308 : 8 Low Voltage |
| Insulator | Y: PEEK for crimp contacts |
| Rated Current | 5 Amps |

Specifications

| | |
|--------------------|-------------------------------|
| Contact Type: | Crimp |
| Contact Retention: | 22 N |
| Contact Dia.: | 0.7 mm (0.028in) |
| Bucket Dia.: | 0.8 mm (0.031in) |
| Min. Conductor: | 0.14 mm ² (AWG 26) |
| Max. Conductor: | 0.34 mm ² (AWG 22) |

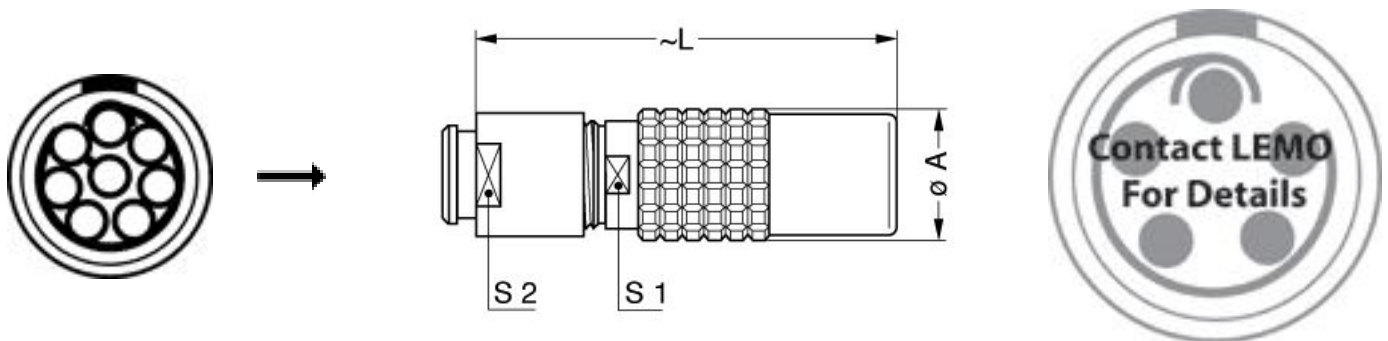
LEMO products and services are provided "as is". LEMO makes no warranties or representations with regard to LEMO product & services or use of them, express, implied or statutory, including for accuracy, completeness, or security. The user is fully responsible for his products and applications using LEMO components.

R (max): 6.1 mOhm
 Vtest (contact-shell): 1300 V (AC), 1840 V (DC)
 Vtest (contact-contact): 1300 V (AC), 1840 V (DC)

Others

Endurance (Shell): 5000
 Temp (min / max): -55° C / +250° C
 Humidity (max): <=95% [at 60 deg C / 140 F]
 Vibration: 15 g [10 Hz - 2000 Hz]
 Shock Resistance: 100 g [6 ms]
 Climatical Category: 50/175/21
 Shielding (min): 75 dB (10 MHz)
 Shielding (min): 40 dB (1 GHz)
 Salt Spray Corrosion: >1000 hr

DRAWINGS



Dimensions

| | A | L | S1 | S2 |
|-----|------|------|------|------|
| mm. | 12.5 | 39.5 | 10 | 9 |
| in. | 0,49 | 1,56 | 0,39 | 0,35 |






RECOMMENDED BY LEMO

LEMO products and services are provided "as is". LEMO makes no warranties or representations with regard to LEMO product & services or use of them, express, implied or statutory, including for accuracy, completeness, or security. The user is fully responsible for his products and applications using LEMO components.

Tools

| | |
|----------------------|----------------------------------|
| Crimp Tool: | DPC.91.701.V |
| Crimp settings: | AWG/Selector = 22-24-26/6-5-5 |
| Positionner: | DCE.91.071.BVM |
| Extractor: | DCF.91.070.2LT |
| Replacement contact: | EGG.1B.655.ZZM |
| Spanner wrench: | DCD.1B.015.PA090 |

Cables

| | | | |
|--------------------|---------------|--------|---|
| CMN.08.T22.059QGC | TPR | Grey | |
| CMN.08.T22.059QGZE | TPR (medical) | Grey |  |
| 16080 | PVC | Grey | |
| 180240 | PVC | Black |  |
| 180260 | PVC | Black |  |
| 335991 | PVC | Black |  |
| 42265 | PVC | Yellow | |
| 80140 | PVC | Grey |  |

LEMO products and services are provided "as is". LEMO makes no warranties or representations with regard to LEMO product & services or use of them, express, implied or statutory, including for accuracy, completeness, or security. The user is fully responsible for his products and applications using LEMO components.