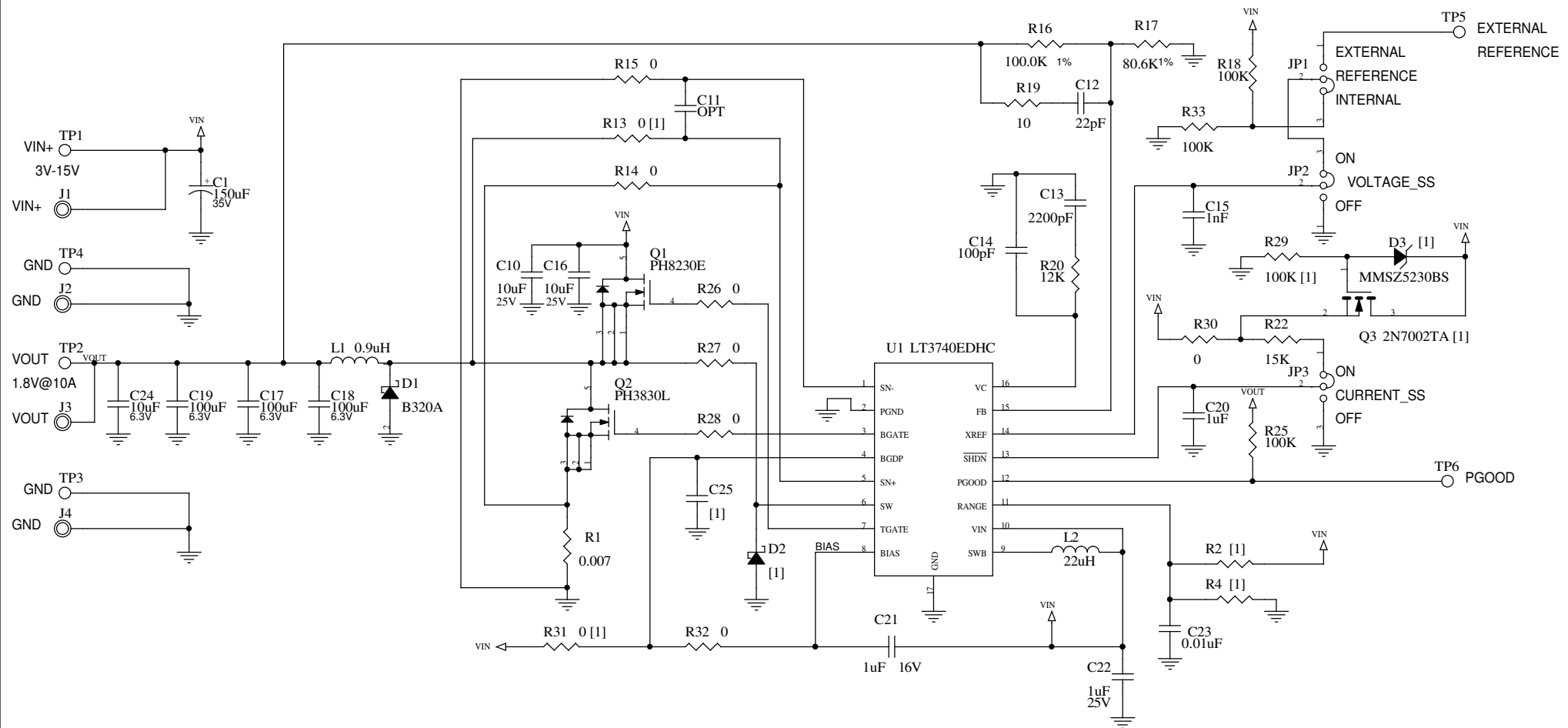



This circuit is proprietary to Linear Technology and supplied for use with Linear Technology parts.

Customer Notice: Linear Technology has made a best effort to design a circuit that meets customer-supplied specifications; however, it remains the customer's responsibility to verify proper and reliable operation in the actual application. Component substitution and printed circuit board layout may significantly affect circuit performance or reliability. Contact Linear Applications Engineering for assistance.

REVISION HISTORY				
ECO	REV	DESCRIPTION	DATE	APPROVED
	5	PROD	05/24/06	



NOTE: UNLESS OTHERWISE SPECIFIED,
[1] OPTIONAL.

CONTRACT NO.		 LINEAR TECHNOLOGY		1630 McCarthy Blvd. Milpitas, CA 95035 Phone: (408)432-1900 Fax: (408)434-0507	
APPROVALS	DATE			TITLE	
DRAWN MEI	07/19/05	SCH, LT3740EDHC, HIGH EFFICIENCY STEP-DOWN CONVERTER		SIZE	CAGE CODE
CHECKED				DWG NO	REV
APPROVED				DC947A	5
ENGINEER D. Ng				SCALE: NONE	FILENAME: 947A-5.DSN
DESIGNER				SHEET 1	OF 1
Wednesday, September 20, 2006					