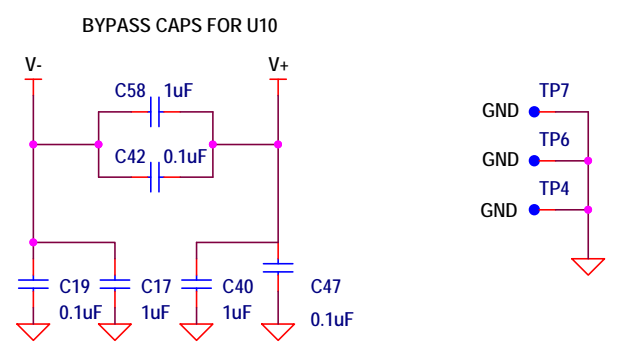


NOTE: UNLESS OTHERWISE SPECIFIED
 1. ALL RESISTORS AND CAPACITORS ARE 0603 PACKAGE.
 2. SCHEMATIC DEPICTS USAGE FOR DC2289A-A. SEE ASSEMBLY OPTIONS TABLE BELOW FOR U1 AND COMPONENTS USED ON ADDITIONAL SKU NUMBERS.

* ASSEMBLY OPTIONS TABLE

SKU#	U1	MSPS	R30	R51	R56	C41	C55	C64
DC2289A-A	LTC2380-24	2	OPT	10 OHMS	OPT	3300pF	6800pF	6800pF
DC2289A-B	LTC2368-24	1	0 OHMS	OPT	0 OHMS	OPT	3300pF	OPT



CUSTOMER NOTICE LINEAR TECHNOLOGY HAS MADE A BEST EFFORT TO DESIGN A CIRCUIT THAT MEETS CUSTOMER-SUPPLIED SPECIFICATIONS; HOWEVER, IT REMAINS THE CUSTOMER'S RESPONSIBILITY TO VERIFY PROPER AND RELIABLE OPERATION IN THE ACTUAL APPLICATION. COMPONENT SUBSTITUTION AND PRINTED CIRCUIT BOARD LAYOUT MAY SIGNIFICANTLY AFFECT CIRCUIT PERFORMANCE OR RELIABILITY. CONTACT LINEAR TECHNOLOGY APPLICATIONS ENGINEERING FOR ASSISTANCE.	APPROVALS PCB DES. M.HAWKINS APP ENG. GUY HOOVER		1630 McCarthy Blvd. Milpitas, CA 95035 Phone: (408)432-1900 www.linear.com Fax: (408)434-0507 LTC Confidential-For Customer Use Only	
	IC NO. LTC2380-24 LTC2368-24		SKU NO. DC2289A-A DC2289A-B	TITLE: DEMO CIRCUIT SCHEMATIC, LOW POWER, HIGH SPEED 24-BIT SAR ADC WITH DIGITAL FILTER

