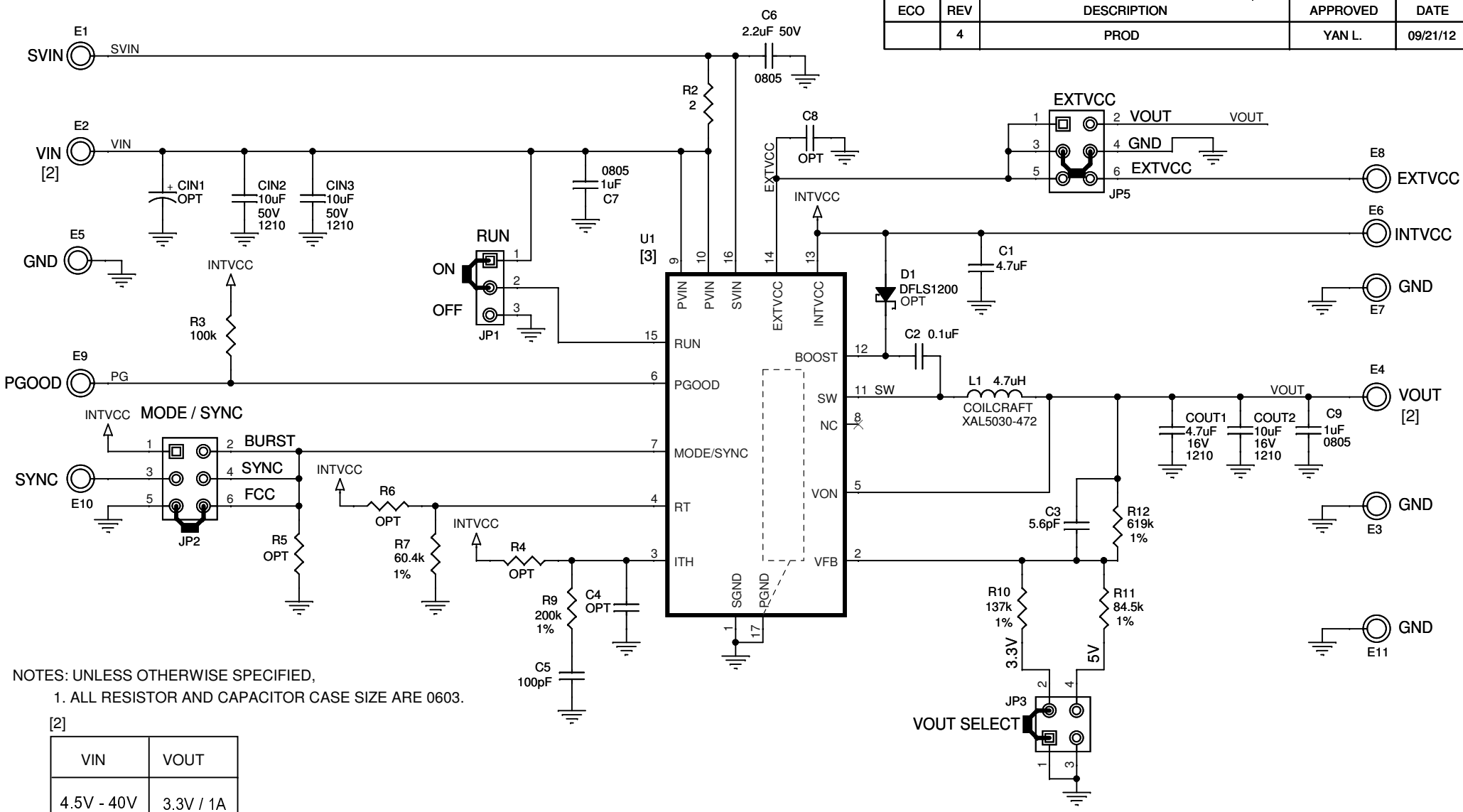


REVISION HISTORY				
ECO	REV	DESCRIPTION	APPROVED	DATE
	4	PROD	YAN L.	09/21/12



NOTES: UNLESS OTHERWISE SPECIFIED,  
 1. ALL RESISTOR AND CAPACITOR CASE SIZE ARE 0603.

[2]

VIN	VOUT
4.5V - 40V	3.3V / 1A
7V - 40V	5V / 1A

[3]

VERSION	IC
-A	LTC3646EMSE
-B	LTC3646EMSE-1

**CUSTOMER NOTICE**  
 LINEAR TECHNOLOGY HAS MADE A BEST EFFORT TO DESIGN A CIRCUIT THAT MEETS CUSTOMER-SUPPLIED SPECIFICATIONS; HOWEVER, IT REMAINS THE CUSTOMER'S RESPONSIBILITY TO VERIFY PROPER AND RELIABLE OPERATION IN THE ACTUAL APPLICATION. COMPONENT SUBSTITUTION AND PRINTED CIRCUIT BOARD LAYOUT MAY SIGNIFICANTLY AFFECT CIRCUIT PERFORMANCE OR RELIABILITY. CONTACT LINEAR TECHNOLOGY APPLICATIONS ENGINEERING FOR ASSISTANCE.

THIS CIRCUIT IS PROPRIETARY TO LINEAR TECHNOLOGY AND SUPPLIED FOR USE WITH LINEAR TECHNOLOGY PARTS.

**APPROVALS**

PCB DES.	MI
APP ENG.	YAN L.

SCALE = NONE



1630 McCarthy Blvd.  
 Milpitas, CA 95035  
 Phone: (408)432-1900 www.linear.com  
 Fax: (408)434-0507  
 LTC Confidential-For Customer Use Only

TITLE: SCHEMATIC  
**HIGH EFFICIENCY LOW QUIESCENT CURRENT STEP-DOWN CONVERTER**

SIZE	IC NO. LTC3646EMSE/LTC3646EMSE-1	REV.
N/A	DEMO CIRCUIT 1820A-A/B	4

DATE: 10/04/12 10:31:04 SHEET 1 OF 1